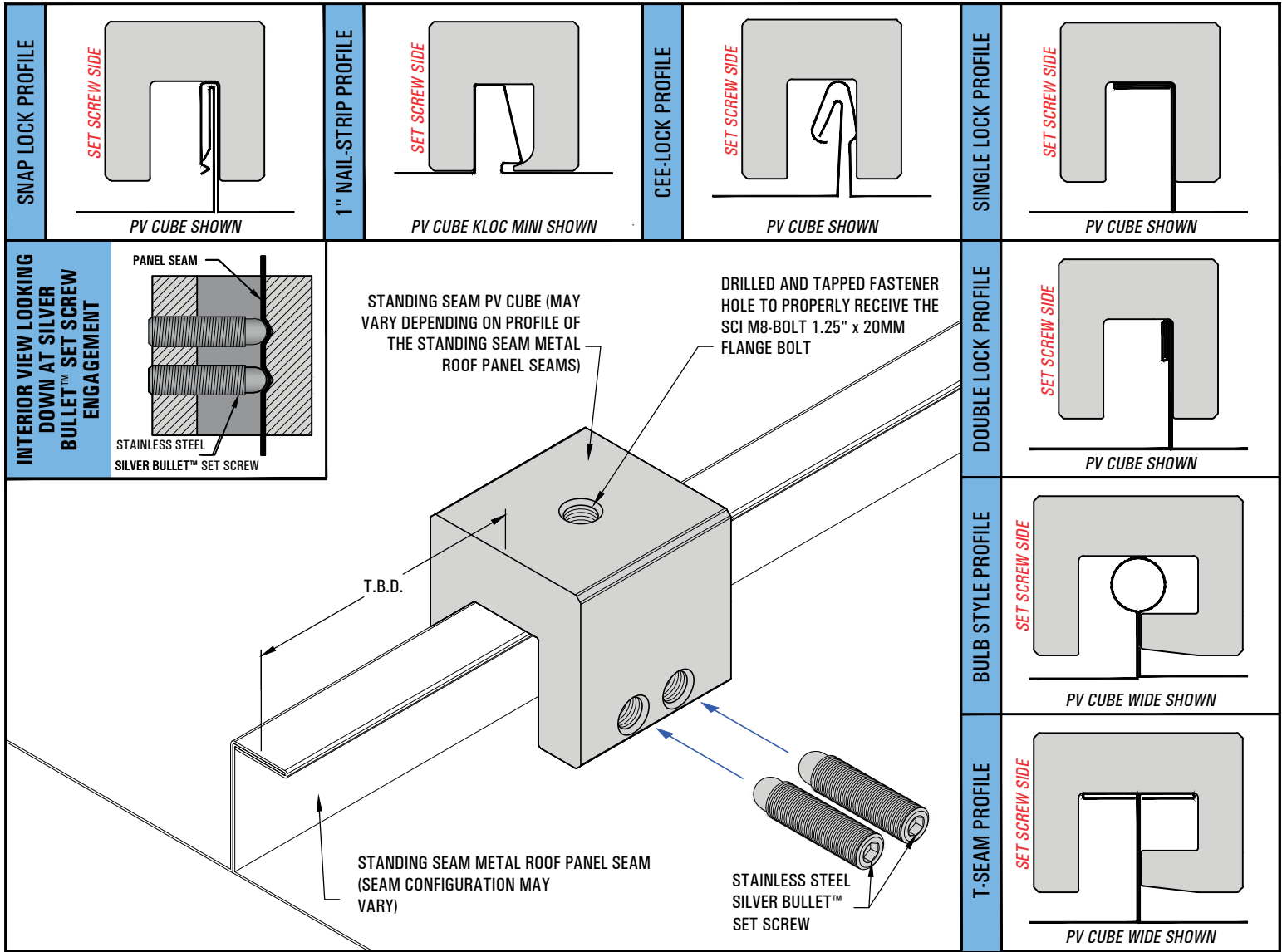


# \*\*\* STANDING SEAM PV CUBE INSTALLATION INSTRUCTIONS \*\*\*



## STANDING SEAM PV CUBE INSTALLATION INSTRUCTIONS

- MEASURE THE DISTANCE FROM THE EAVE TO THE FIRST ROW AND USE A STRING LINE OVER THE ROOF PANEL SEAMS TO ESTABLISH A STRAIGHT GUIDELINE FOR INSTALLATION.
- ALIGN THE STANDING SEAM PV CUBE ON THE SEAM EXACTLY AS SHOWN IN THE ORIENTATION ON THE TOP AND RIGHT SIDE OF THIS PAGE, DEPENDING ON THE APPLICABLE SEAM PROFILE.
- INSTALL THE SCI STAINLESS STEEL SILVER BULLET™ SET SCREWS AND MAKE SURE THE TORQUE IS VERIFIED WITH A CALIBRATED TORQUE WRENCH WITHIN THE RECOMMENDED GUIDELINES SET FORTH BELOW.  
**NOTE: CONTACT SOLAR CONNECTIONS, INC. FOR THE RECOMMENDED TORQUE REQUIREMENTS OF ANY METAL GAUGE AND/OR MATERIAL NOT LISTED BELOW.**  
A. 24 Ga. STEEL = 150 IN/LBS - 160 IN/LBS    B. 22 Ga. STEEL = 180 IN/LBS - 200 IN/LBS
- VERIFY THAT THE STANDING SEAM PV CUBE IS SECURE, STRAIGHT AND LEVEL, THEN REPEAT STEPS 2-4 FOR REMAINING CLAMPS. BE SURE TO FOLLOW THE ARCHITECT'S AND/OR ENGINEER'S REQUIRED SPACING AND/OR LAYOUT, INCLUDING THEIR ADJUSTMENTS FOR FIELD CONDITIONS, IF ANY ARE REQUIRED (A RECOMMENDED LAYOUT CAN BE FURNISHED BY SOLAR CONNECTIONS INTERNATIONAL, INC. UPON WRITTEN REQUEST, ONLY).

# STANDING SEAM PV CUBE INSTALLATION



4800 METALMASTER WAY - McHENRY, IL 60050

PHONE: 800.815.7652    WEBSITE: WWW.SOLARCONNECTIONS.COM  
FAX: 815.455.4367    E-MAIL: INFO@SOLARCONNECTIONS.COM

### DISCLAIMER

THE INFORMATION HEREIN IS CONFIDENTIAL AND PROPRIETARY AND IS NOT TO BE DISCLOSED OR DELIVERED TO THIRD PARTIES WITHOUT THE PRIOR WRITTEN CONSENT OF SOLAR CONNECTIONS INTERNATIONAL, INC.

SOLAR CONNECTIONS INTERNATIONAL, INC. DOES NOT WARRANT THE INSTALLATION IF ITS PRODUCTS. PRODUCT PERFORMANCE IS DEPENDENT ON THE INSTALLERS STRICT ADHERENCE TO THESE INSTALLATION INSTRUCTIONS.

SOLAR CONNECTIONS INTERNATIONAL, INC. IS NOT A LICENSED ARCHITECT OR ENGINEER, THEREFORE WE STRONGLY RECOMMEND THAT AN ARCHITECT AND/OR STRUCTURAL ENGINEER PROPERLY LICENSED IN THE CITY AND STATE WHERE THE PROJECT IS LOCATED, REVIEW THE CONTEMPLATED LAYOUT TO ENSURE THAT THE BUILDING STRUCTURE CAN WITHSTAND THE PROJECTED SNOW AND/OR WIND LOAD. SOLAR CONNECTIONS INTERNATIONAL, INC. ASSUMES NO LIABILITY THEREFORE.

DRAWN BY: TK  
DATE: 3/20/24  
SCALE: N.T.S.

1