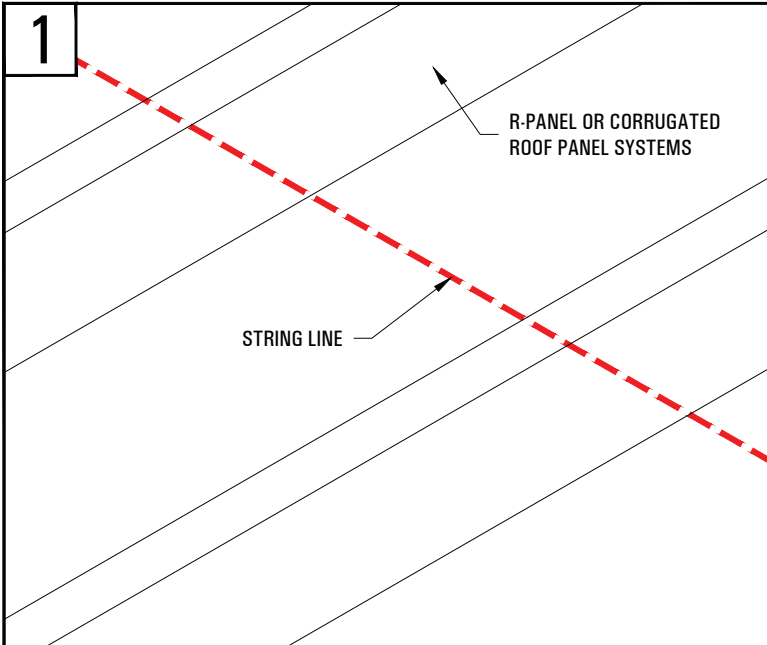
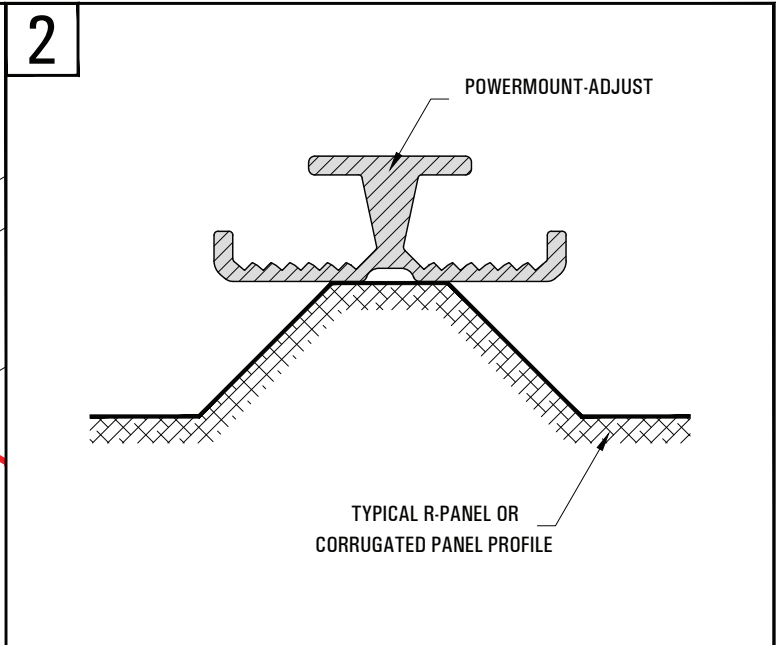


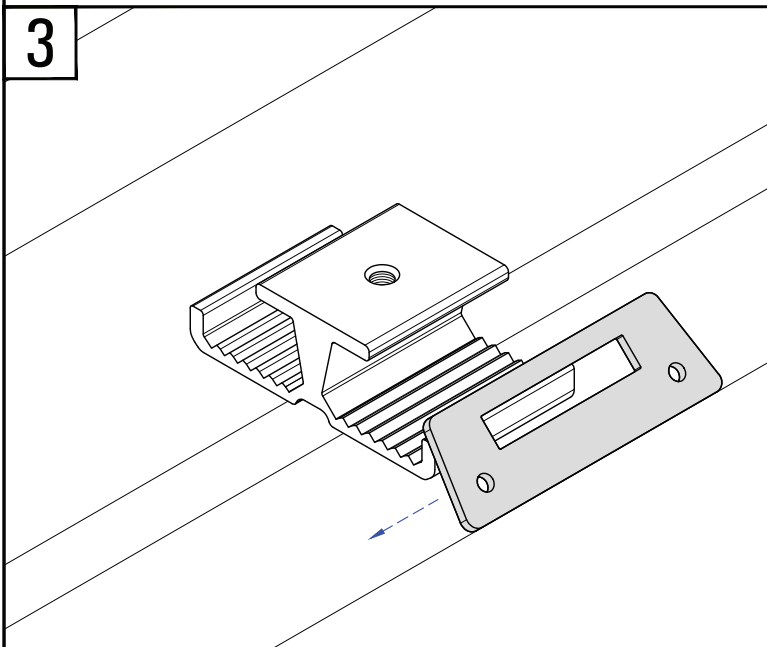
*** POWERMOUNT-ADJUST INSTALLATION INSTRUCTIONS ***



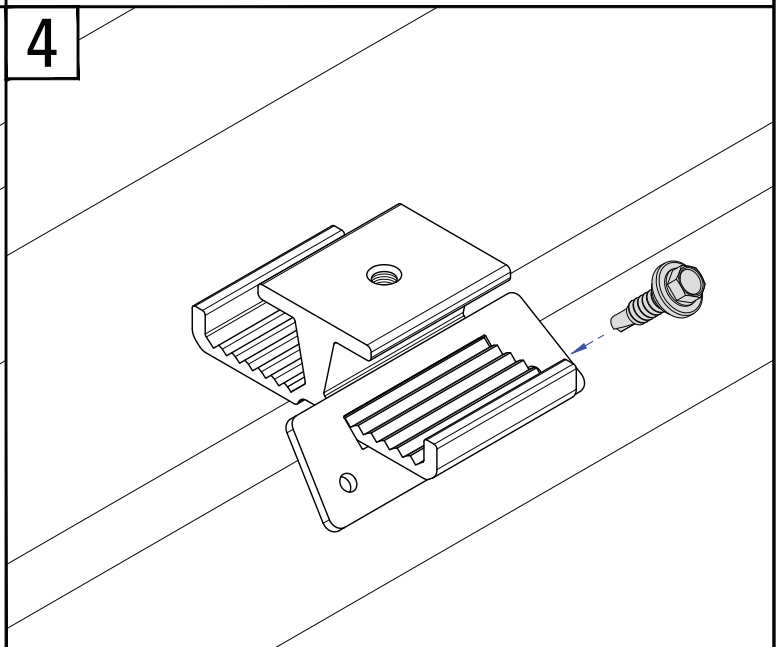
MEASURE THE DISTANCE FROM EAVE TO THE FIRST ROW OF POWERMOUNTS AND USE A STRING LINE OVER THE TOP OF THE ROOF PANEL SEAMS TO ESTABLISH A STRAIGHT GUIDELINE FOR INSTALLATION.



USE A RAG TO WIPE AWAY ANY EXCESS DIRT AND OIL FROM THE SURFACE OF THE ROOF PANEL. THEN ALIGN THE POWERMOUNT TO THE STRING LINE AND PLACE ON THE ROOF PANEL SEAM AS SHOWN ABOVE.



SLIDE THE POWERMOUNT-ADJUST WING ONTO THE POWERMOUNT-ADJUST BRACKET. KEEP THE POWERMOUNT-ADJUST BRACKET CENTERED ON THE PANEL AND SLIDE THE POWERMOUNT-ADJUST WING ALL THE WAY DOWN. MAKE SURE THE POWERMOUNT-ADJUST WING IS AS FAR OVER AND DOWN AS POSSIBLE AND FIRMLY PRESS THE POWERMOUNT-ADJUST WING AGAINST THE PANEL MAKING CONSISTENT CONNECTION BETWEEN THE EPDM GASKET AND THE PANEL ITSELF, PRIOR TO FASTENING.



SECURE THE POWERMOUNT-ADJUST WING BY HOLDING THE POWERMOUNT-ADJUST BRACKET AND WING IN PLACE AND SCREWING THE SCI SUPPLIED SELF TAPPING GASKETED FASTENERS WITH A STAINLESS STEEL CAP INTO/THROUGH THE PRE-PUNCHED HOLES, THROUGH THE EPDM GASKET, AND INTO/THROUGH THE ROOF PANEL. MAKE SURE TO NOT OVER-TIGHTEN AS YOU RISK STRIPPING THE FASTENER. IF A FASTENER IS STRIPPED, REMOVE AND REPLACE WITH A SIMILAR FASTENER, BUT OF A LARGER DIAMETER. **NOTE: REFER TO THE FASTENER MANUFACTURERS' RECOMMENDATIONS FOR TORQUE AND WASHER SEATING REQUIREMENTS BEFORE INSTALLATION.**

POWERMOUNT-ADJUST

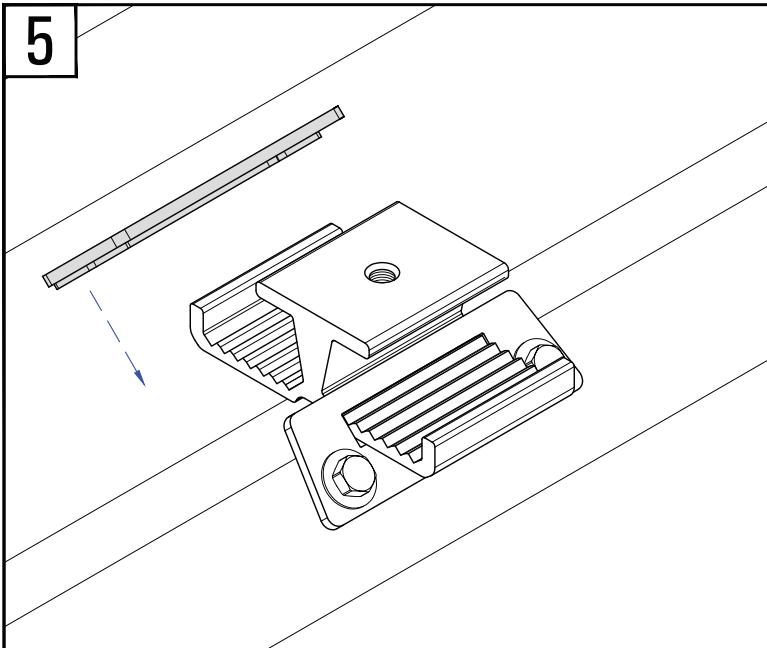


4800 METALMASTER WAY - McHENRY, IL 60050
 PHONE: 800.815.7652 WEBSITE: WWW.SOLARCONNECTIONS.COM
 FAX: 815.455.4367 E-MAIL: INFO@SOLARCONNECTIONS.COM

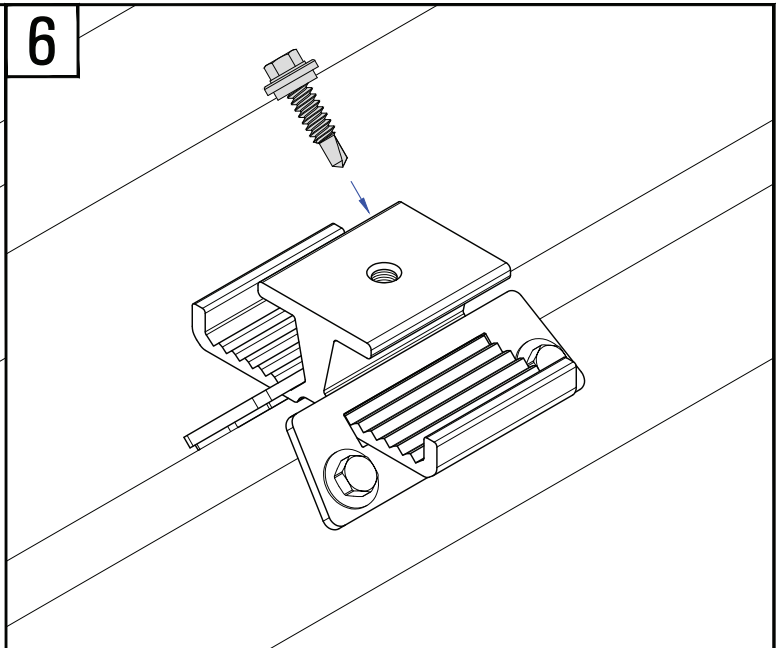
DISCLAIMER
 THE INFORMATION HEREIN IS CONFIDENTIAL AND PROPRIETARY AND IS NOT TO BE DISCLOSED OR DELIVERED TO THIRD PARTIES WITHOUT THE PRIOR WRITTEN CONSENT OF SOLAR CONNECTIONS INTERNATIONAL, INC.
 SOLAR CONNECTIONS INTERNATIONAL, INC. DOES NOT WARRANT THE INSTALLATION IF ITS PRODUCTS. PRODUCT PERFORMANCE IS DEPENDENT ON THE INSTALLERS STRICT ADHERENCE TO THESE INSTALLATION INSTRUCTIONS.
 SOLAR CONNECTIONS INTERNATIONAL, INC. IS NOT A LICENSED ARCHITECT OR ENGINEER, THEREFORE WE STRONGLY RECOMMEND THAT AN ARCHITECT AND/OR STRUCTURAL ENGINEER PROPERLY LICENSED IN THE CITY AND STATE WHERE THE PROJECT IS LOCATED, REVIEW THE CONTEMPLATED LAYOUT TO ENSURE THAT THE BUILDING STRUCTURE CAN WITHSTAND THE PROJECTED SNOW AND/OR WIND LOAD. SOLAR CONNECTIONS INTERNATIONAL, INC. ASSUMES NO LIABILITY THEREFORE.

DRAWN BY:	TK
DATE:	3/20/24
SCALE:	N.T.S.
1	

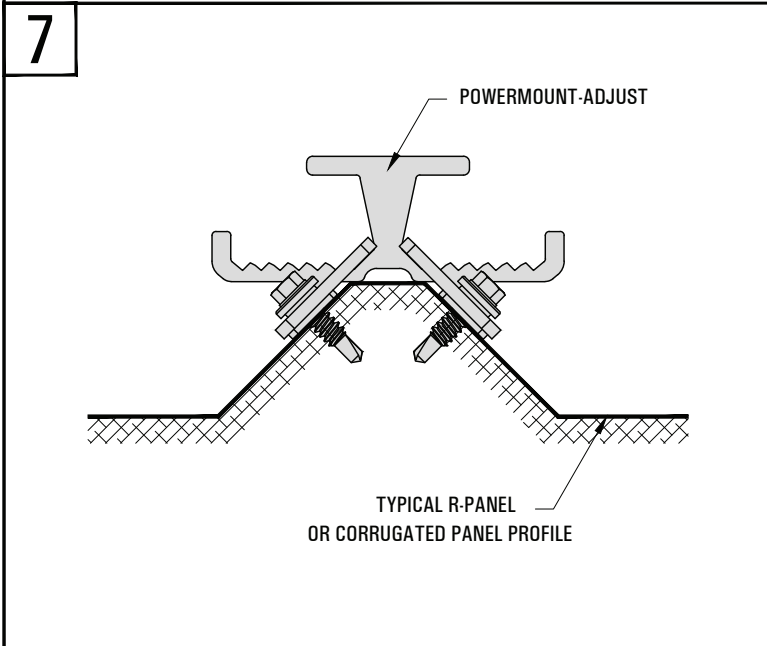
*** POWERMOUNT-ADJUST INSTALLATION INSTRUCTIONS ***



SLIDE THE POWERMOUNT-ADJUST WING ONTO THE POWERMOUNT-ADJUST BRACKET. KEEP THE POWERMOUNT-ADJUST BRACKET CENTERED ON THE PANEL AND SLIDE THE POWERMOUNT-ADJUST WING ALL THE WAY DOWN. MAKE SURE THE POWERMOUNT-ADJUST WING IS AS FAR OVER AND DOWN AS POSSIBLE AND FIRMLY PRESS THE POWERMOUNT-ADJUST WING AGAINST THE PANEL MAKING CONSISTENT CONNECTION BETWEEN THE EPDM GASKET AND THE PANEL ITSELF, PRIOR TO FASTENING.



SECURE THE POWERMOUNT-ADJUST WING BY HOLDING THE POWERMOUNT-ADJUST BRACKET AND WING IN PLACE AND SCREWING THE SCI SUPPLIED SELF TAPPING GASKETED FASTENERS WITH A STAINLESS STEEL CAP INTO/TROUGH THE PRE-PUNCHED HOLES, THROUGH THE EPDM GASKET, AND INTO/TROUGH THE ROOF PANEL. MAKE SURE TO NOT OVER-TIGHTEN AS YOU RISK STRIPPING THE FASTENER. IF A FASTENER IS STRIPPED, REMOVE AND REPLACE WITH A SIMILAR FASTENER, BUT OF A LARGER DIAMETER. **NOTE: REFER TO THE FASTENER MANUFACTURERS' RECOMMENDATIONS FOR TORQUE AND WASHER SEATING REQUIREMENTS BEFORE INSTALLATION**



VERIFY THAT THE POWERMOUNT-ADJUST IS SECURE, STRAIGHT AND LEVEL. MEASURE AND MARK THE LOCATION ON THE NEXT POWERMOUNT-ADJUST BRACKETS IN A SERIES, THEN REPEAT STEPS 2-7 FOR THE REMAINING POWERMOUNT-ADJUSTS IN THE SERIES. BE SURE TO FOLLOW THE ARCHITECT'S AND/OR ENGINEER'S REQUIRED SPACING AND/OR LAYOUT, INCLUDING THEIR ADJUSTMENTS FOR FIELD CONDITIONS, IF ANY ARE REQUIRED (A RECOMMENDED LAYOUT CAN BE FURNISHED BY SOLAR CONNECTIONS INTERNATIONAL, INC. UPON WRITTEN REQUEST, ONLY). **NOTE: IF THE POWERMOUNT IS INSTALLED ON NON-SMOOTH SURFACE, THE ENTIRE PERIMETER AROUND THE POWERMOUNT MUST BE CAULKED TO ENSURE A PROPER WATERTIGHT DETAIL.**

POWERMOUNT-ADJUST CON'T.



SOLAR CONNECTIONS INTERNATIONAL
THE FUTURE OF SOLAR ATTACHMENTS™

4800 METALMASTER WAY - McHENRY, IL 60050
PHONE: 800.815.7652 WEBSITE: WWW.SOLARCONNECTIONS.COM
FAX: 815.455.4367 E-MAIL: INFO@SOLARCONNECTIONS.COM

DISCLAIMER

THE INFORMATION HEREIN IS CONFIDENTIAL AND PROPRIETARY AND IS NOT TO BE DISCLOSED OR DELIVERED TO THIRD PARTIES WITHOUT THE PRIOR WRITTEN CONSENT OF SOLAR CONNECTIONS INTERNATIONAL, INC.

SOLAR CONNECTIONS INTERNATIONAL, INC. DOES NOT WARRANT THE INSTALLATION IF ITS PRODUCTS. PRODUCT PERFORMANCE IS DEPENDENT ON THE INSTALLERS STRICT ADHERENCE TO THESE INSTALLATION INSTRUCTIONS.

SOLAR CONNECTIONS INTERNATIONAL, INC. IS NOT A LICENSED ARCHITECT OR ENGINEER, THEREFORE WE STRONGLY RECOMMEND THAT AN ARCHITECT AND/OR STRUCTURAL ENGINEER PROPERLY LICENSED IN THE CITY AND STATE WHERE THE PROJECT IS LOCATED, REVIEW THE CONTEMPLATED LAYOUT TO ENSURE THAT THE BUILDING STRUCTURE CAN WITHSTAND THE PROJECTED SNOW AND/OR WIND LOAD. SOLAR CONNECTIONS INTERNATIONAL, INC. ASSUMES NO LIABILITY THEREFORE.

DRAWN BY:	TK
DATE:	3/20/24
SCALE:	N.T.S.
2	