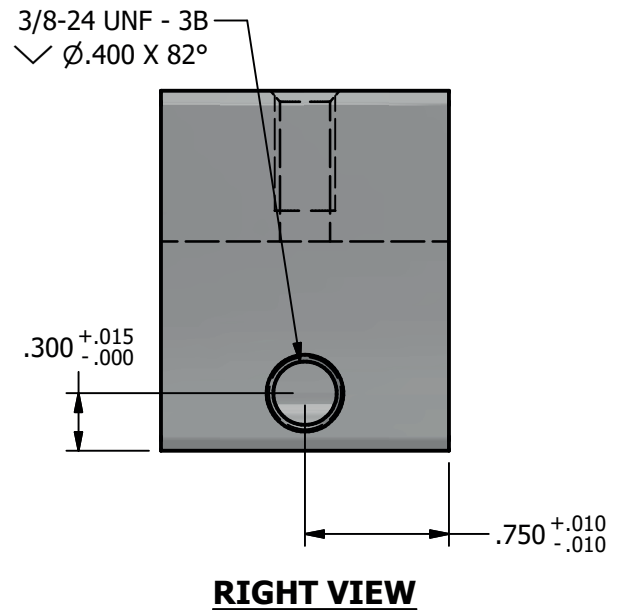
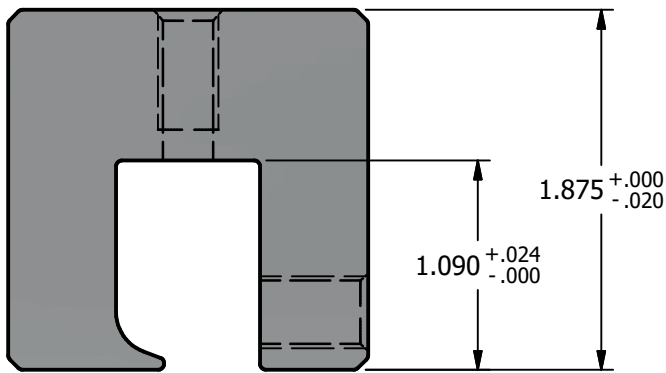
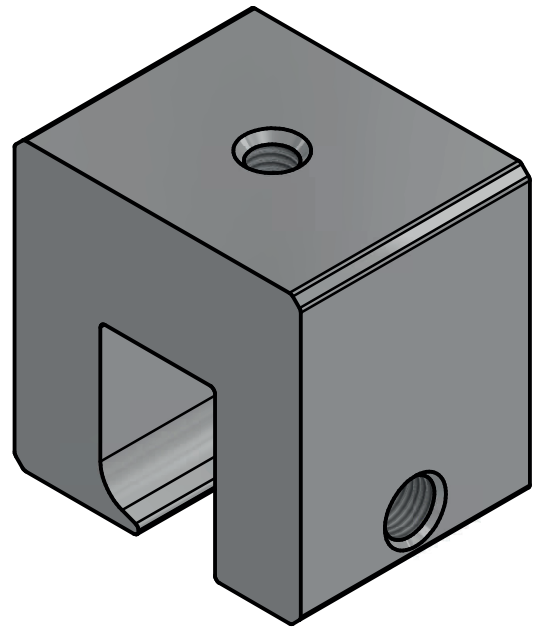
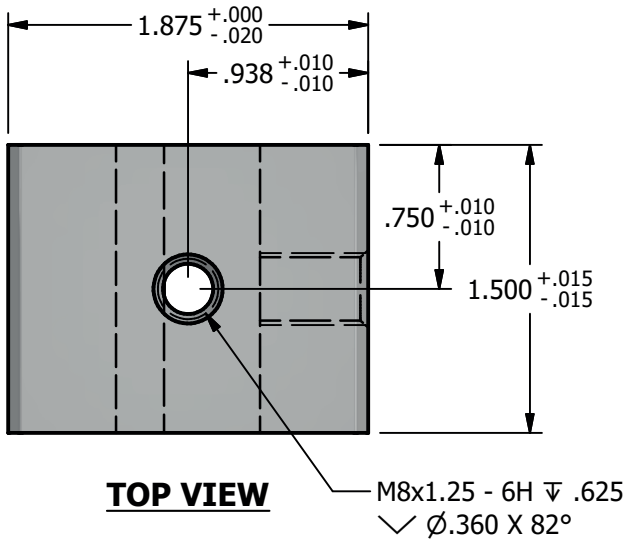


\*\*\* SCI PRODUCT CUT SHEET \*\*\*



**NOTES:**

1. FOR CLARITY THIS DRAWING IS NOT TO SCALE.
2. CONTACT THE MANUFACTURER FOR RECOMMENDED LAYOUTS, SPACING AND ADDITIONAL DETAILS.
3. INSTALLATION MUST BE COMPLETED WITH THE MANUFACTURERS WRITTEN SPECIFICATIONS AND INSTALLATION INSTRUCTIONS.
4. THESE DRAWINGS ARE SUBJECT TO CHANGE WITHOUT NOTICE.



**SOLAR CONNECTIONS INTERNATIONAL**

**THE FUTURE OF SOLAR ATTACHMENTS**

**4800 METALMASTER WAY - MCHENRY, IL 60050**

PHONE: 800.815.7652 WEBSITE: WWW.SOLARCONNECTIONS.COM  
 FAX: 815.455.4367 E-MAIL: INFO@SOLARCONNECTIONS.COM

**PV CUBE KLOC MINI - 1SS**

DRAWN BY:	TKunach
DATE:	3/20/24
SCALE:	N.T.S.
MATERIAL:	Aluminum

THE INFORMATION HEREIN IS CONFIDENTIAL AND PROPRIETARY AND IS NOT TO BE DISCLOSED OR DELIVERED TO THIRD PARTIES WITHOUT THE PRIOR WRITTEN CONSENT OF SOLAR CONNECTIONS INTERNATIONAL, INC.