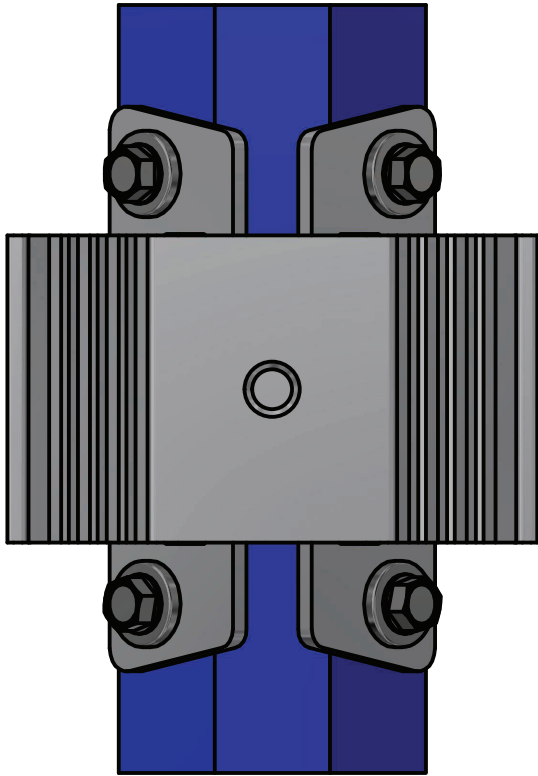


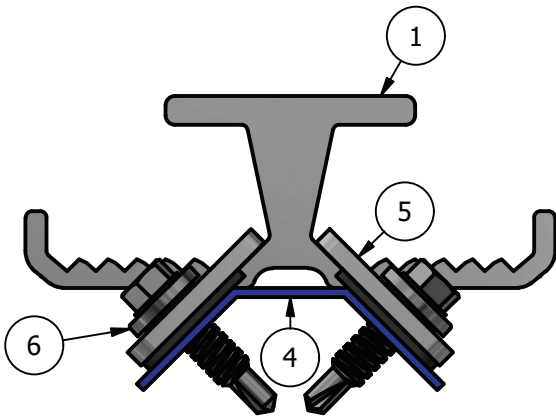
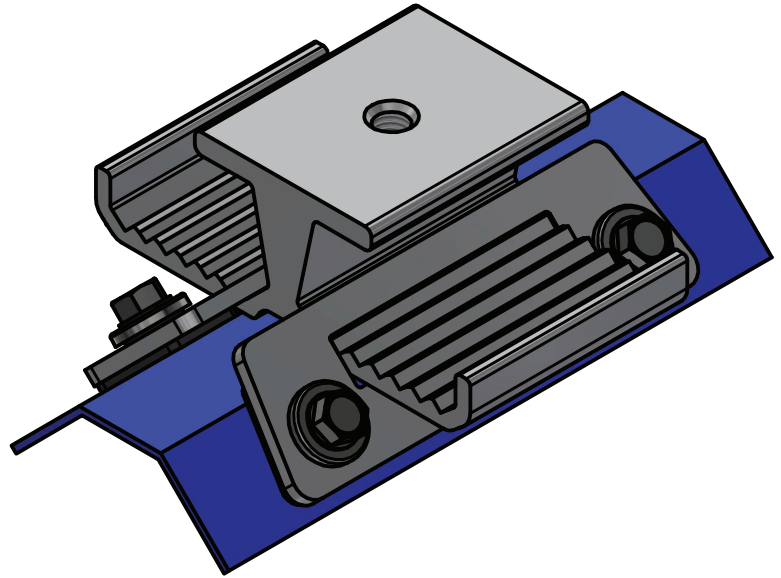
***** SCI PRODUCT CUT SHEET *****

PARTS LIST

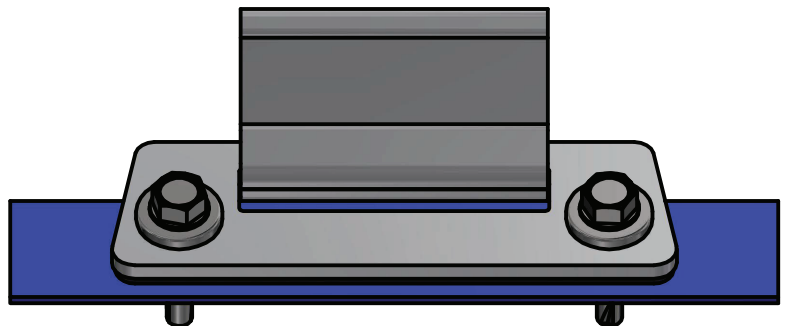
ITEM	QTY	PART NUMBER
1	1	POWERMOUNT-ADJUSTABLE-S
4	1	T1 ROOF PANEL
5	2	POWERMOUNT-ADJUST-BRACKET - rev070219
6	4	No.14 x 0.875 WITH WASHER



TOP VIEW



FRONT VIEW



RIGHT VIEW

NOTES:

- FOR CLARITY THIS DRAWING IS NOT TO SCALE.
- CONTACT THE MANUFACTURER FOR RECOMMENDED LAYOUTS, SPACING AND ADDITIONAL DETAILS.
- INSTALLATION MUST BE COMPLETED WITH THE MANUFACTURERS WRITTEN SPECIFICATIONS AND INSTALLATION INSTRUCTIONS.
- THESE DRAWINGS ARE SUBJECT TO CHANGE WITHOUT NOTICE.



SOLAR CONNECTIONS INTERNATIONAL

THE FUTURE OF SOLAR ATTACHMENTS

4800 METALMASTER WAY - MCHENRY, IL 60050

PHONE: 800.815.7652 WEBSITE: WWW.SOLARCONNECTIONS.COM
 FAX: 815.455.4367 E-MAIL: INFO@SOLARCONNECTIONS.COM

PM-ADJUST

DRAWN BY:	TKunach
DATE:	3/20/2024
SCALE:	N.T.S.
MATERIAL:	Aluminium

THE INFORMATION HEREIN IS CONFIDENTIAL AND PROPRIETARY AND IS NOT TO BE DISCLOSED OR DELIVERED TO THIRD PARTIES WITHOUT THE PRIOR WRITTEN CONSENT OF SOLAR CONNECTIONS INTERNATIONAL, INC.