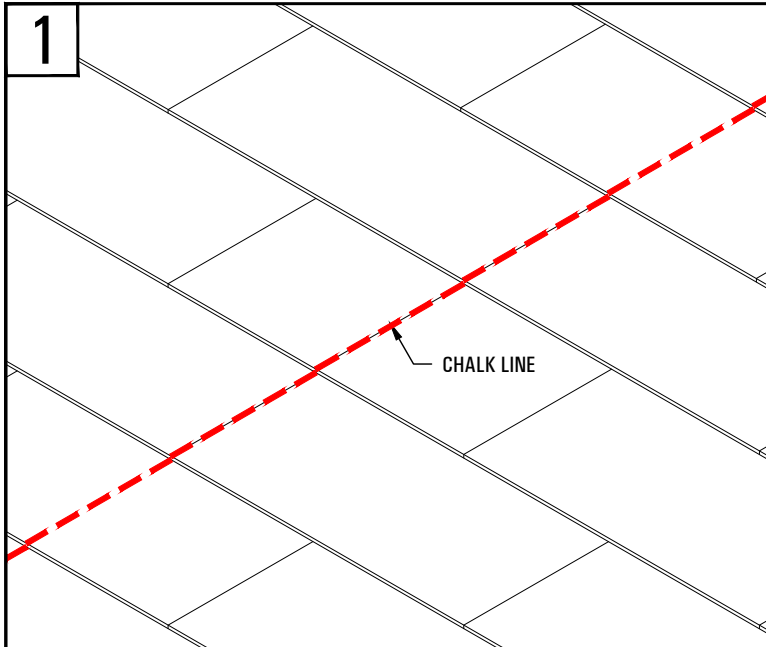
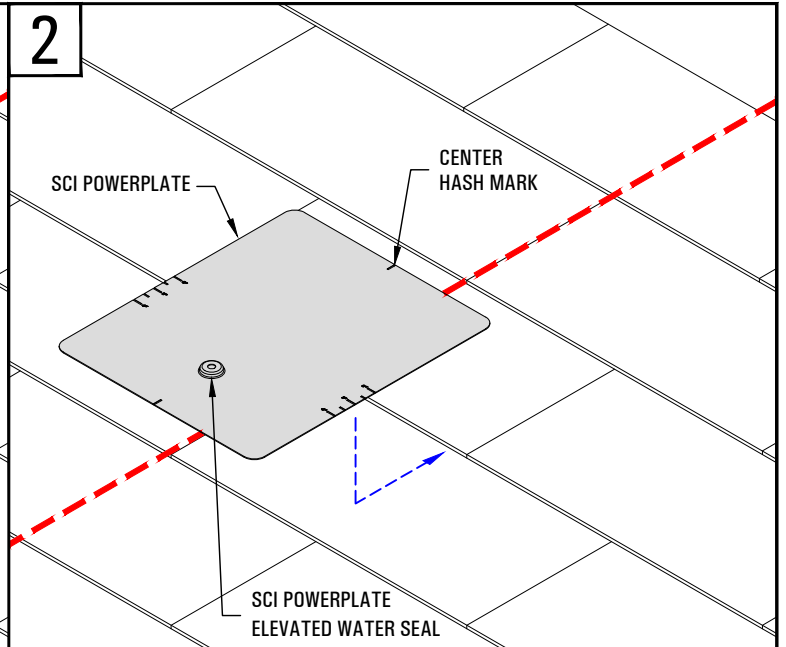


*** ASPHALT OR COMPOSITE SHINGLE INSTALLATION INSTRUCTIONS ***



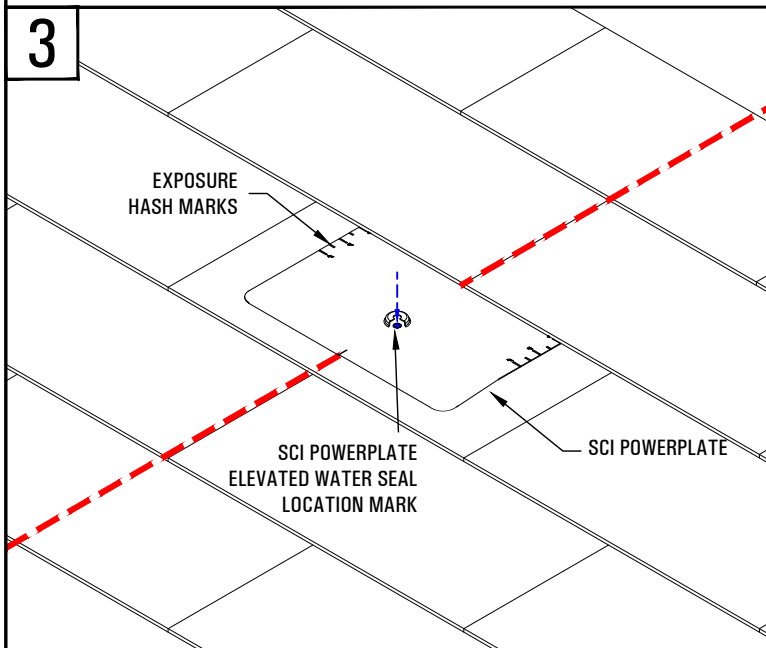
1

MEASURE AND LOCATE THE RAFTERS AND USE A CHALK LINE OVER THE ASPHALT SHINGLES TO MARK EACH RAFTER LOCATION.



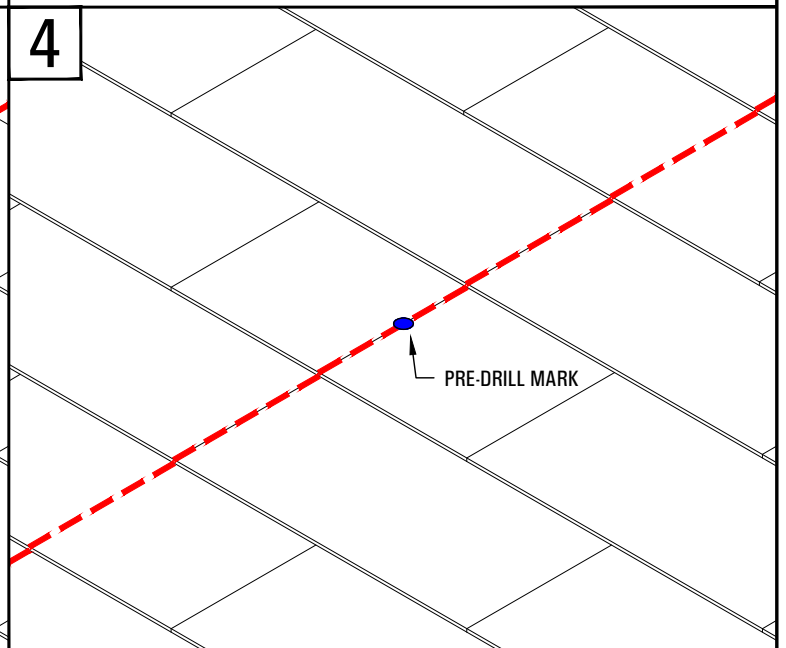
2

MEASURE AND LOCATE THE DISTANCE FROM THE EAVE TO THE FIRST ROW OF POWERPLATES. ALIGN THE CENTER MARKS OF THE POWERPLATE WITH THE CHALK LINE AND WEDGE THE POWERPLATE BENEATH THE LAYER OF ASPHALT SHINGLES.



3

CONTINUE SLIDING THE POWERPLATE BENEATH THE LAYER OF ASPHALT SHINGLES AND ALIGN THE HASH MARKS ALONG THE SIDE OF THE POWERPLATE TO THE DESIRED EXPOSURE. ONCE LINED UP CORRECTLY, MARK THE ASPHALT SHINGLE WHERE THE ELEVATED WATER SEAL IS LOCATED.



4

REMOVE THE POWERPLATE TO EXPOSE THE MARK MADE IN STEP No. 3 AND PRE-DRILL A 7/32" HOLE AT THAT MARK.

POWERPLATE AND L-FOOT-ELV INSTALLATION



4800 METALMASTER WAY - McHENRY, IL 60050

PHONE: 800.815.7652 WEBSITE: WWW.SOLARCONNECTIONS.COM
 FAX: 815.455.4367 E-MAIL: INFO@SOLARCONNECTIONS.COM

DISCLAIMER

THE INFORMATION HEREIN IS CONFIDENTIAL AND PROPRIETARY AND IS NOT TO BE DISCLOSED OR DELIVERED TO THIRD PARTIES WITHOUT THE PRIOR WRITTEN CONSENT OF SOLAR CONNECTIONS INTERNATIONAL, INC.

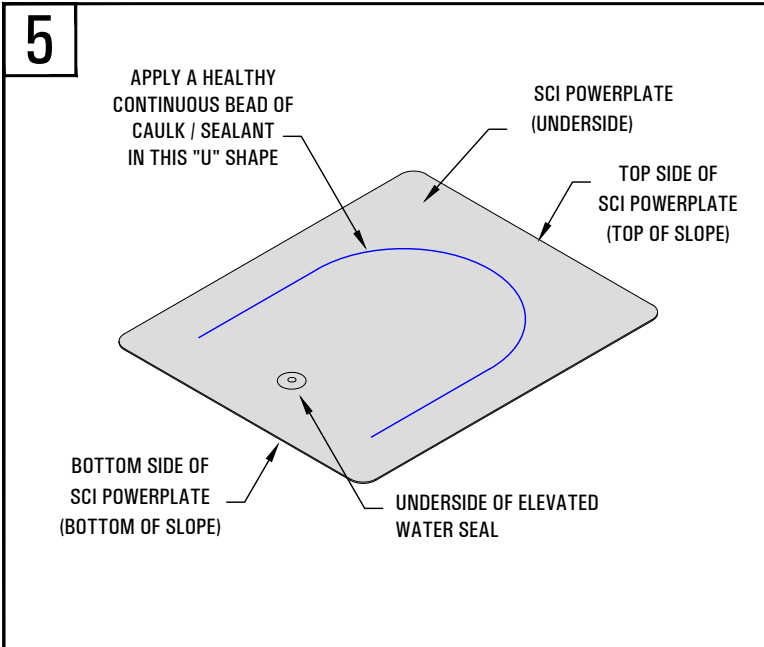
SOLAR CONNECTIONS INTERNATIONAL, INC. DOES NOT WARRANT THE INSTALLATION OF ITS PRODUCTS. PRODUCT PERFORMANCE IS DEPENDENT ON THE INSTALLERS STRICT ADHERENCE TO THESE INSTALLATION INSTRUCTIONS.

SOLAR CONNECTIONS INTERNATIONAL, INC. IS NOT A LICENSED ARCHITECT OR ENGINEER, THEREFORE WE STRONGLY RECOMMEND THAT AN ARCHITECT AND/OR STRUCTURAL ENGINEER PROPERLY LICENSED IN THE CITY AND STATE WHERE THE PROJECT IS LOCATED, REVIEW THE CONTEMPLATED LAYOUT TO ENSURE THAT THE BUILDING STRUCTURE CAN WITHSTAND THE PROJECTED SNOW AND/OR WIND LOAD. SOLAR CONNECTIONS INTERNATIONAL, INC. ASSUMES NO LIABILITY THEREFORE.

DRAWN BY:	TK
DATE:	4/16/24
SCALE:	N.T.S.

1

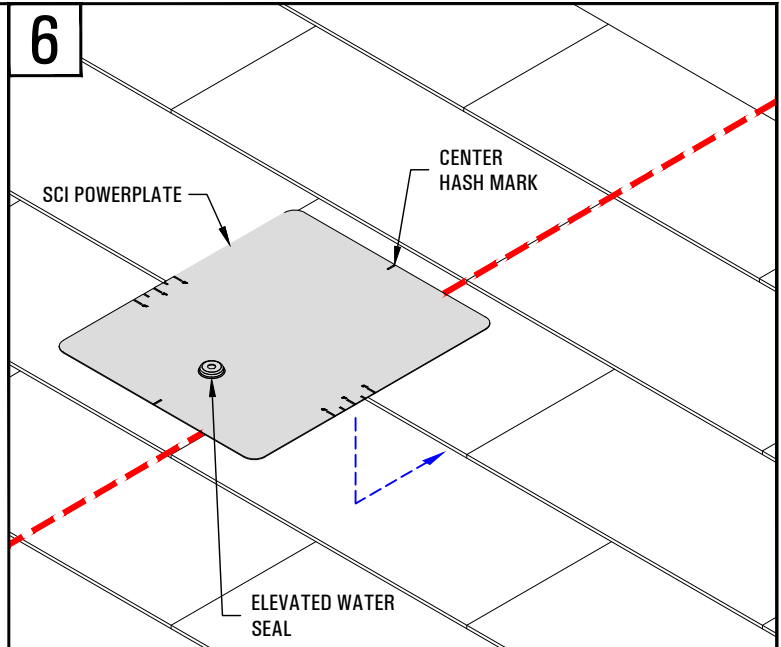
*** ASPHALT OR COMPOSITE SHINGLE INSTALLATION INSTRUCTIONS ***



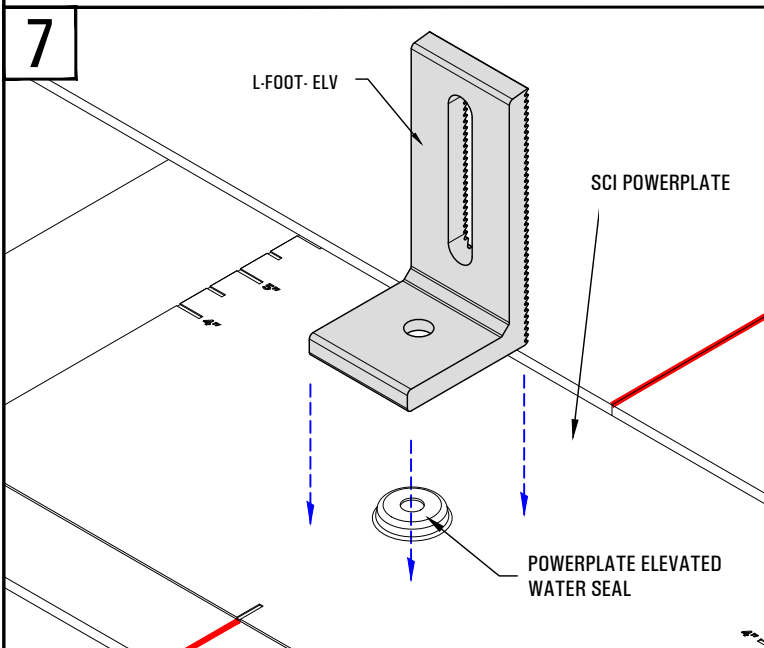
USE A RAG TO WIPE AWAY ANY EXCESS DIRT AND OIL FROM THE BOTTOM SURFACE OF THE POWERPLATE, THEN USE THE ASPHALT MANUFACTURERS' RECOMMENDED CAULK/SEALANT TO APPLY A HEALTHY BEAD TO CREATE A "U" SHAPE ON THE BOTTOM SURFACE.

NOTE: THE CREST OF THE "U" SHOULD BE TOWARDS THE TOP EDGE OF THE POWERPLATE.

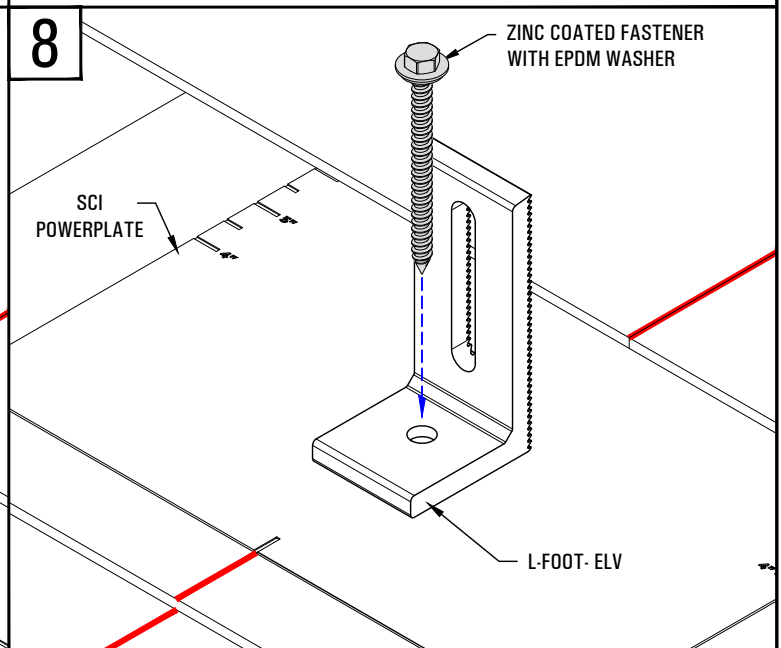
NOTE: IF THE POWERPLATE IS INSTALLED ON A NON-SMOOTH OR NON-LEVEL SURFACE, ADDITIONAL SEALANT SHOULD BE INSTALLED, TO FURTHER ENSURE A PROPER WATERTIGHT DETAIL.



SLIDE THE POWERPLATE BACK INTO PLACE BENEATH THE LAYER OF ASPHALT SHINGLES AND ALIGN THE HASH MARKS ALONG THE SIDE TO CREATE THE DESIRED EXPOSURE AND ELEVATED WATER SEAL TO THE HOLE PRE-DRILLED IN STEP No. 4. ONCE LINED UP CORRECTLY, FIRMLY PRESS DOWN.



USE A RAG TO WIPE AWAY ANY EXCESS DIRT AND OIL FROM THE SURFACE OF THE POWERPLATE. THEN CENTER AND PLACE THE UNIVERSAL L-FOOT ON THE EXPOSED SURFACE OF THE POWERPLATE, OVER THE ELEVATED WATER SEAL.



SECURE THE L-FOOT-ELV BY SCREWING THE SELF-TAPPING ZINC COATED FASTENER WITH EPDM WASHER INTO/THROUGH THE PRE-PUNCHED HOLE, THROUGH THE EPDM GASKET, THROUGH THE POWERPLATE, THROUGH THE ASPHALT OR COMPOSITE SHINGLE ROOFING AND UNDERLAYMENT, AND INTO/THROUGH THE ROOF DECK BELOW. MAKE SURE TO NOT OVER-TIGHTEN AS YOU RISK STRIPPING THE FASTENER. IF A FASTENER IS STRIPPED, REMOVE AND REPLACE WITH A SIMILAR FASTENER, BUT OF A LARGER DIAMETER.

NOTE: REFER TO THE FASTENER MANUFACTURERS' RECOMMENDATIONS FOR TORQUE AND WASHER SEATING REQUIREMENTS BEFORE INSTALLATION.

POWERPLATE AND L-FOOT-ELV INSTALLATION CON'T.



4800 METALMASTER WAY - MCHENRY, IL 60050

PHONE: 800.815.7652 WEBSITE: WWW.SOLARCONNECTIONS.COM
 FAX: 815.455.4367 E-MAIL: INFO@SOLARCONNECTIONS.COM

DISCLAIMER

THE INFORMATION HEREIN IS CONFIDENTIAL AND PROPRIETARY AND IS NOT TO BE DISCLOSED OR DELIVERED TO THIRD PARTIES WITHOUT THE PRIOR WRITTEN CONSENT OF SOLAR CONNECTIONS INTERNATIONAL, INC.

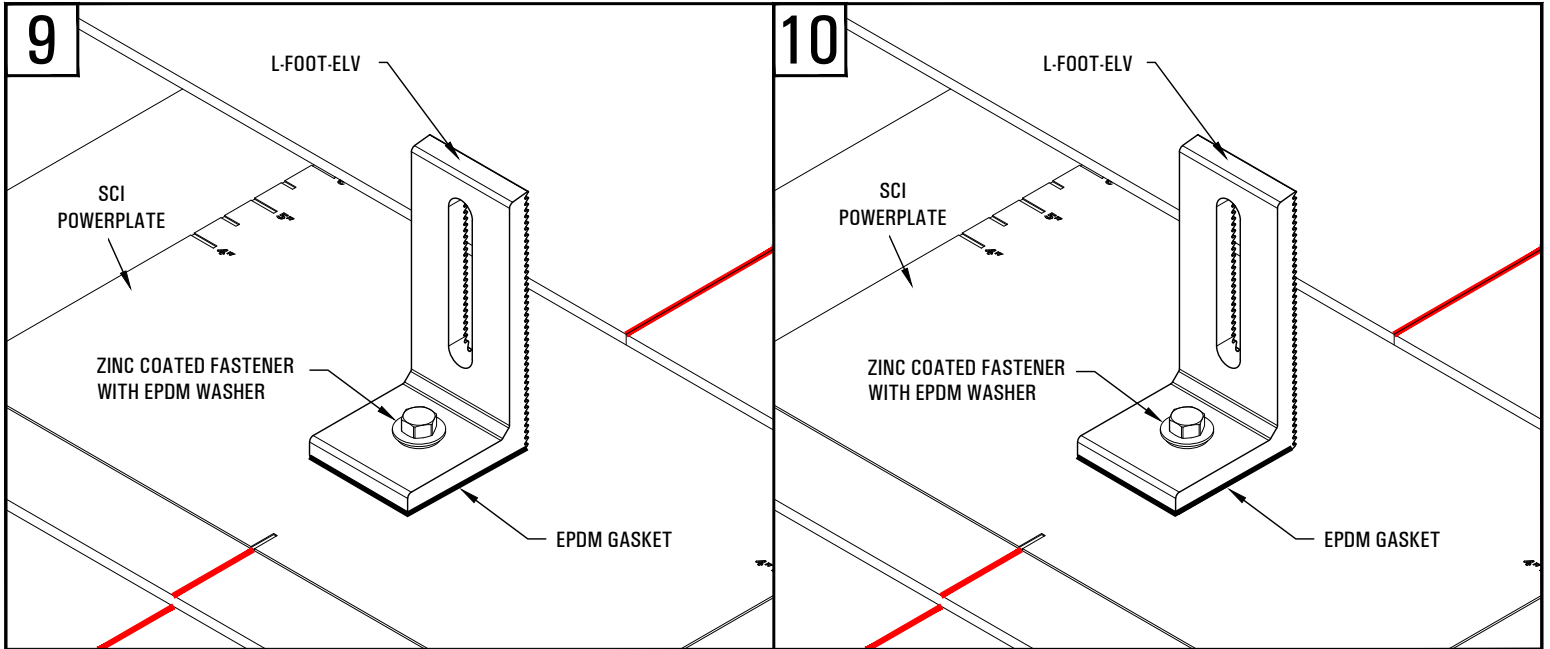
SOLAR CONNECTIONS INTERNATIONAL, INC. DOES NOT WARRANT THE INSTALLATION IF ITS PRODUCTS. PRODUCT PERFORMANCE IS DEPENDENT ON THE INSTALLERS STRICT ADHERENCE TO THESE INSTALLATION INSTRUCTIONS.

SOLAR CONNECTIONS INTERNATIONAL, INC. IS NOT A LICENSED ARCHITECT OR ENGINEER, THEREFORE WE STRONGLY RECOMMEND THAT AN ARCHITECT AND/OR STRUCTURAL ENGINEER PROPERLY LICENSED IN THE CITY AND STATE WHERE THE PROJECT IS LOCATED, REVIEW THE CONTEMPLATED LAYOUT TO ENSURE THAT THE BUILDING STRUCTURE CAN WITHSTAND THE PROJECTED SNOW AND/OR WIND LOAD. SOLAR CONNECTIONS INTERNATIONAL, INC. ASSUMES NO LIABILITY THEREFORE.

DRAWN BY:	TK
DATE:	4/16/24
SCALE:	N.T.S.

2

***** ASPHALT OR COMPOSITE SHINGLE INSTALLATION INSTRUCTIONS *****



ONCE THE L-FOOT-ELV IS COMPLETELY FASTENED DOWN, IT IS RECOMMENDED TO CAULK THE ENTIRE PERIMETER WITH AN EQUAL TO OR BETTER THAN TITEBOND SEALANTS FOR METAL, ALUMINUM, STEEL AND GALVANIZED SURFACES.

NOTE: IF THE POWERPLATE OR L-FOOT-ELV IS INSTALLED ON A NON-SMOOTH OR NON-LEVEL SURFACE, ADDITIONAL SEALANT SHOULD BE INSTALLED, TO FURTHER ENSURE A PROPER WATERTIGHT DETAIL.

VERIFY THAT THE L-FOOT-ELV IS SECURE, STRAIGHT AND LEVEL. MEASURE AND MARK THE LOCATION ON THE NEXT POWERPLATES AND L-FOOT-ELV, THEN REPEAT STEPS 2-10 FOR THE REMAINING POWERPLATES AND L-FOOT-ELV. BE SURE TO FOLLOW THE ARCHITECT'S AND/OR ENGINEER'S REQUIRED SPACING AND/OR LAYOUT, INCLUDING THEIR ADJUSTMENTS FOR FIELD CONDITIONS, IF ANY ARE REQUIRED. (A RECOMMENDED LAYOUT CAN BE FURNISHED BY SOLAR CONNECTIONS INTERNATIONAL, INC. UPON WRITTEN REQUEST, ONLY.)

POWERPLATE AND L-FOOT-ELV INSTALLATION CON'T.



4800 METALMASTER WAY - McHENRY, IL 60050

PHONE: 800.815.7652 WEBSITE: WWW.SOLARCONNECTIONS.COM
 FAX: 815.455.4367 E-MAIL: INFO@SOLARCONNECTIONS.COM

DISCLAIMER

THE INFORMATION HEREIN IS CONFIDENTIAL AND PROPRIETARY AND IS NOT TO BE DISCLOSED OR DELIVERED TO THIRD PARTIES WITHOUT THE PRIOR WRITTEN CONSENT OF SOLAR CONNECTIONS INTERNATIONAL, INC.

SOLAR CONNECTIONS INTERNATIONAL, INC. DOES NOT WARRANT THE INSTALLATION OF ITS PRODUCTS. PRODUCT PERFORMANCE IS DEPENDENT ON THE INSTALLERS STRICT ADHERENCE TO THESE INSTALLATION INSTRUCTIONS.

SOLAR CONNECTIONS INTERNATIONAL, INC. IS NOT A LICENSED ARCHITECT OR ENGINEER, THEREFORE WE STRONGLY RECOMMEND THAT AN ARCHITECT AND/OR STRUCTURAL ENGINEER PROPERLY LICENSED IN THE CITY AND STATE WHERE THE PROJECT IS LOCATED, REVIEW THE CONTEMPLATED LAYOUT TO ENSURE THAT THE BUILDING STRUCTURE CAN WITHSTAND THE PROJECTED SNOW AND/OR WIND LOAD. SOLAR CONNECTIONS INTERNATIONAL, INC. ASSUMES NO LIABILITY THEREFORE.

DRAWN BY:	TK
DATE:	4/16/24
SCALE:	N.T.S.

3