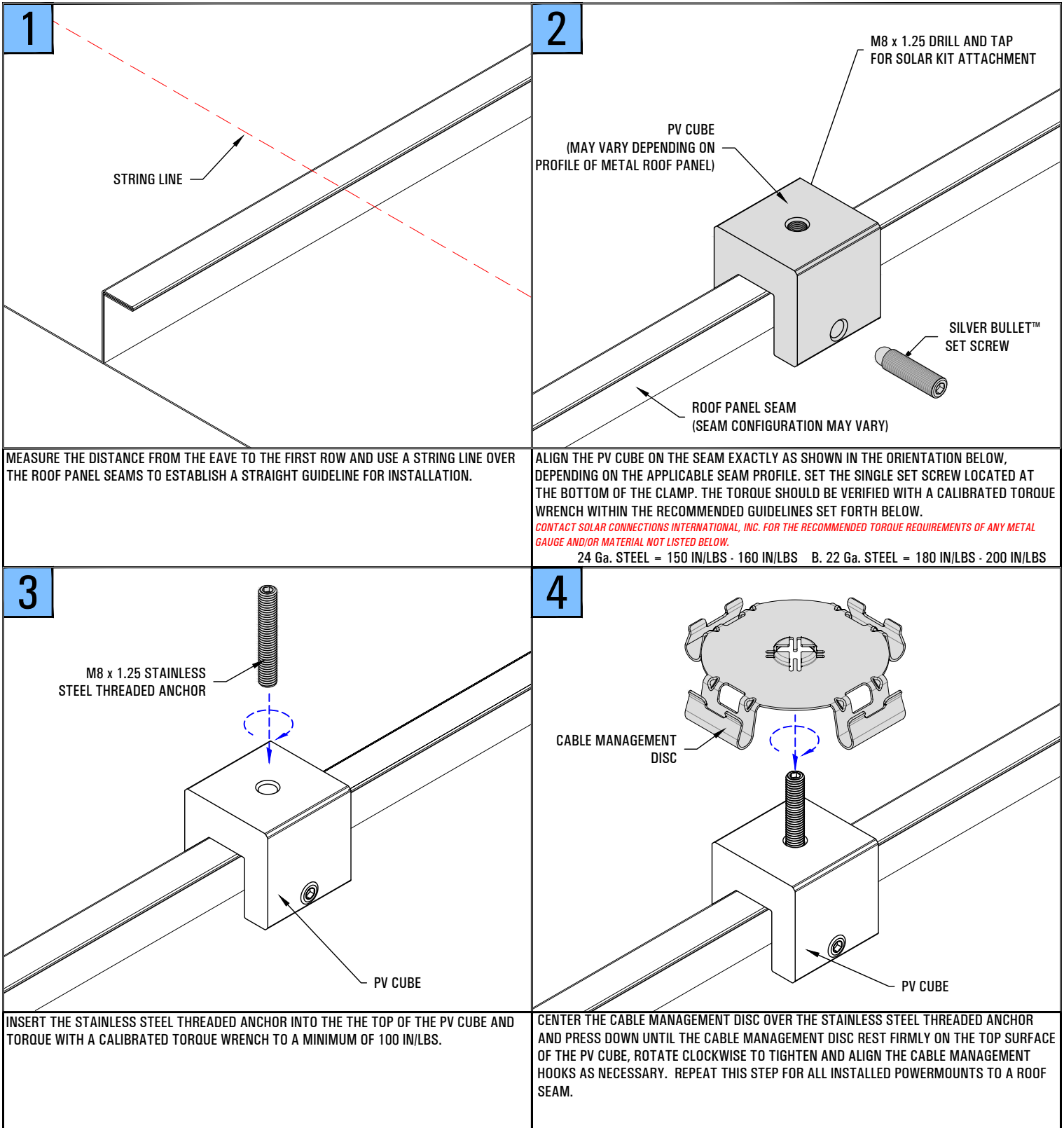


**\*\*\* SOLAR KIT INSTALLATION INSTRUCTIONS \*\*\***



MEASURE THE DISTANCE FROM THE EAVE TO THE FIRST ROW AND USE A STRING LINE OVER THE ROOF PANEL SEAMS TO ESTABLISH A STRAIGHT GUIDELINE FOR INSTALLATION.

ALIGN THE PV CUBE ON THE SEAM EXACTLY AS SHOWN IN THE ORIENTATION BELOW, DEPENDING ON THE APPLICABLE SEAM PROFILE. SET THE SINGLE SET SCREW LOCATED AT THE BOTTOM OF THE CLAMP. THE TORQUE SHOULD BE VERIFIED WITH A CALIBRATED TORQUE WRENCH WITHIN THE RECOMMENDED GUIDELINES SET FORTH BELOW.

*CONTACT SOLAR CONNECTIONS INTERNATIONAL, INC. FOR THE RECOMMENDED TORQUE REQUIREMENTS OF ANY METAL GAUGE AND/OR MATERIAL NOT LISTED BELOW.*  
 24 Ga. STEEL = 150 IN/LBS - 160 IN/LBS    B. 22 Ga. STEEL = 180 IN/LBS - 200 IN/LBS

INSERT THE STAINLESS STEEL THREADED ANCHOR INTO THE THE TOP OF THE PV CUBE AND TORQUE WITH A CALIBRATED TORQUE WRENCH TO A MINIMUM OF 100 IN/LBS.

CENTER THE CABLE MANAGEMENT DISC OVER THE STAINLESS STEEL THREADED ANCHOR AND PRESS DOWN UNTIL THE CABLE MANAGEMENT DISC REST FIRMLY ON THE TOP SURFACE OF THE PV CUBE, ROTATE CLOCKWISE TO TIGHTEN AND ALIGN THE CABLE MANAGEMENT HOOKS AS NECESSARY. REPEAT THIS STEP FOR ALL INSTALLED POWERMOUNTS TO A ROOF SEAM.

## PV CUBE INSTALLATION



4800 METALMASTER WAY - McHENRY, IL 60050

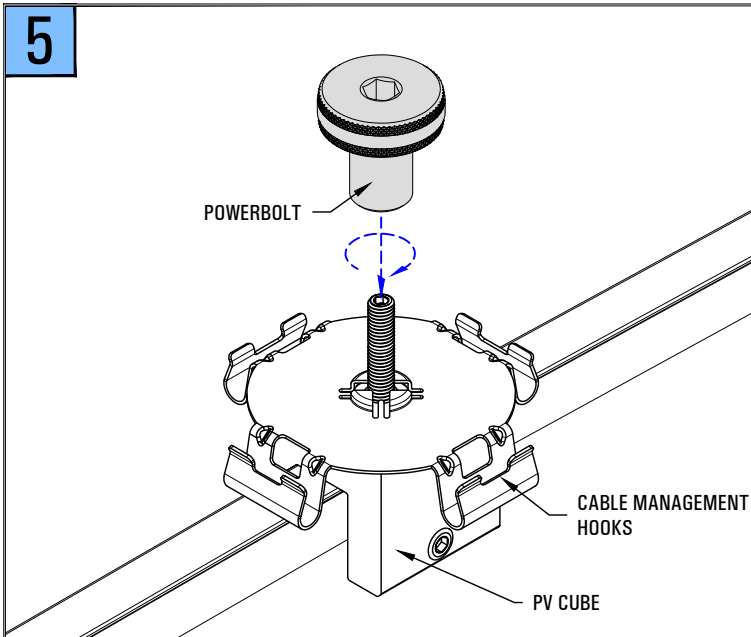
PHONE: 800.815.7652    WEBSITE: WWW.SOLARCONNECTIONS.COM  
 FAX: 815.455.4367    E-MAIL: INFO@SOLARCONNECTIONS.COM

**DISCLAIMER**

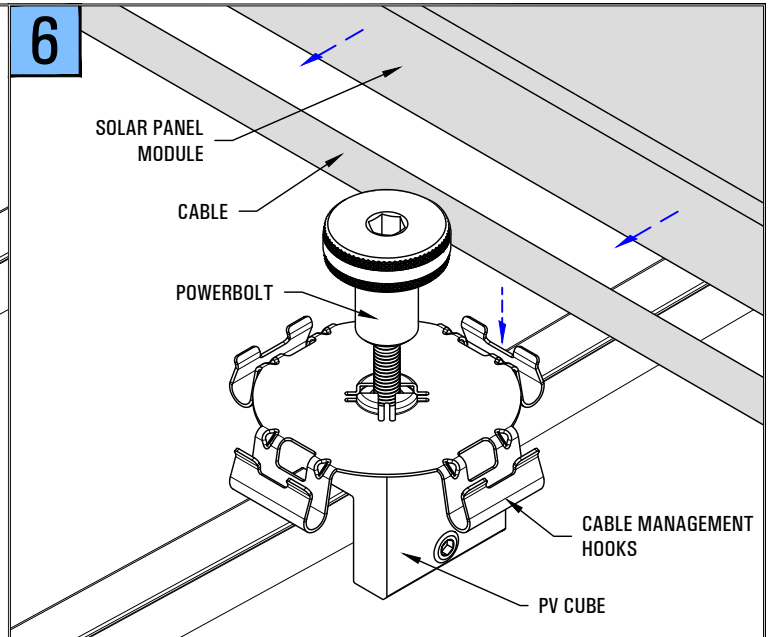
THE INFORMATION HEREIN IS CONFIDENTIAL AND PROPRIETARY AND IS NOT TO BE DISCLOSED OR DELIVERED TO THIRD PARTIES WITHOUT THE PRIOR WRITTEN CONSENT OF SOLAR CONNECTIONS INTERNATIONAL, INC.  
 SOLAR CONNECTIONS INTERNATIONAL, INC. DOES NOT WARRANT THE INSTALLATION IF ITS PRODUCTS. PRODUCT PERFORMANCE IS DEPENDENT ON THE INSTALLERS STRICT ADHERENCE TO THESE INSTALLATION INSTRUCTIONS.  
 SOLAR CONNECTIONS INTERNATIONAL, INC. IS NOT A LICENSED ARCHITECT OR ENGINEER, THEREFORE WE STRONGLY RECOMMEND THAT AN ARCHITECT AND/OR STRUCTURAL ENGINEER PROPERLY LICENSED IN THE CITY AND STATE WHERE THE PROJECT IS LOCATED, REVIEW THE CONTEMPLATED LAYOUT TO ENSURE THAT THE BUILDING STRUCTURE CAN WITHSTAND THE PROJECTED SNOW AND/OR WIND LOAD. SOLAR CONNECTIONS INTERNATIONAL, INC. ASSUMES NO LIABILITY THEREFORE.

DRAWN BY:	RJH
DATE:	08/01/24
SCALE:	N.T.S.

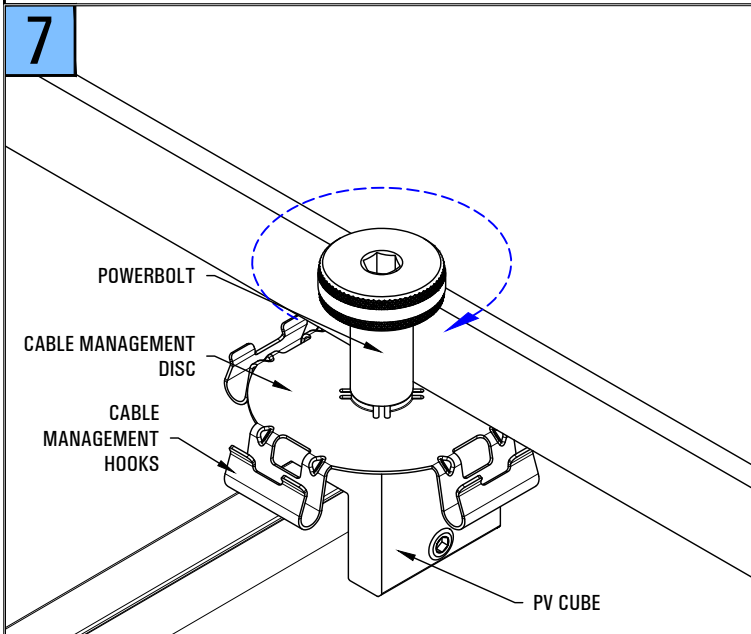
\*\*\* SOLAR KIT INSTALLATION INSTRUCTIONS \*\*\*



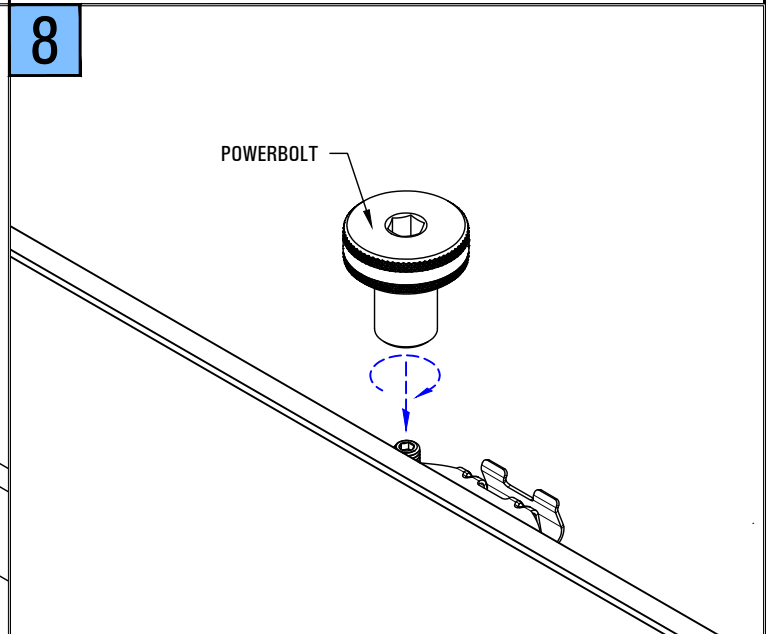
5  
 THREAD THE END POWERBOLT ON TO THE STAINLESS STEEL THREADED ANCHOR ON THE FIRST ROW OF PV CUBE, ONLY. MAKE SURE TO NOT COMPLETELY TIGHTEN DOWN THE END POWERBOLT AS YOU WILL NEED CLEARANCE FOR THE SOLAR PANEL MODULE. REPEAT THIS STEP FOR THE ENTIRE FIRST ROW OF PV CUBE, IN A SERIES, ONLY.



6  
 SLIDE THE SOLAR PANEL MODULE ON TO THE TOP FACE OF THE CABLE MANAGEMENT DISC. MAKE SURE THE EDGE OF THE SOLAR PANEL MODULE IS COMPLETELY UP AGAINST THE CENTER SHANK OF THE POWERBOLT. USE THE CABLE MANAGEMENT HOOKS AS NECESSARY.



7  
 ONCE THE SOLAR PANEL MODULE IS IN PLACE, HAND TIGHTEN THE PV CUBE, REPEAT THIS STEPS 7-9 FOR EACH SOLAR PANEL MODULE IN THE FIRST ROW, OF A SERIES, ONLY.



8  
 WITH THE FIRST ROW SOLAR PANEL MODULES IN PLACE, ALIGN AND THREAD THE CENTER POWERBOLT ON TO THE STAINLESS STEEL THREADED ANCHORS LOCATED ON THE OPPOSITE EDGE FROM THE WHERE THE POWERBOLTS WERE JUST INSTALLED. MAKE SURE TO NOT TIGHTEN ALL THE WAY DOWN AS YOU WILL NEED CLEARANCE FOR THE NEXT SOLAR PANEL MODULE TO BE INSTALLED. REPEAT THIS STEP FOR THE ENTIRE FIRST ROW OF SOLAR PANEL MODULES.

# SOLAR KIT INSTALLATION



4800 METALMASTER WAY - McHENRY, IL 60050

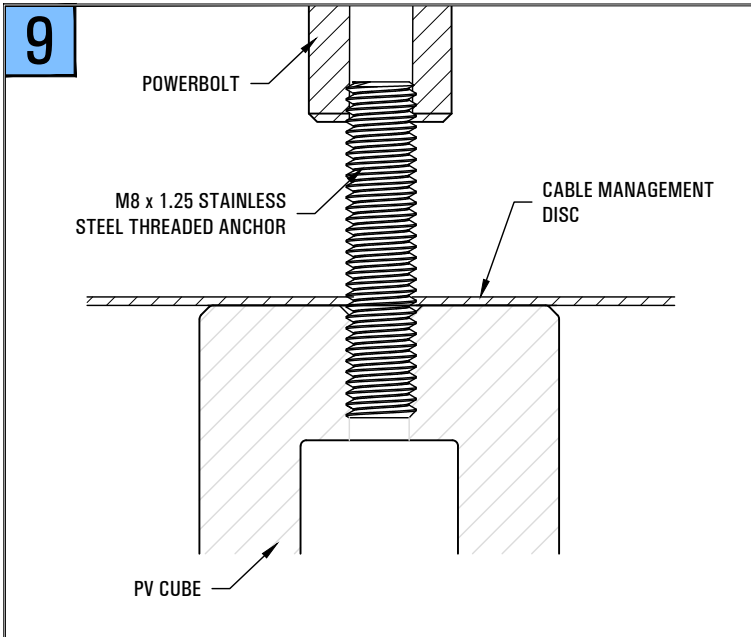
PHONE: 800.815.7652 WEBSITE: WWW.SOLARCONNECTIONS.COM  
 FAX: 815.455.4367 E-MAIL: INFO@SOLARCONNECTIONS.COM

DISCLAIMER

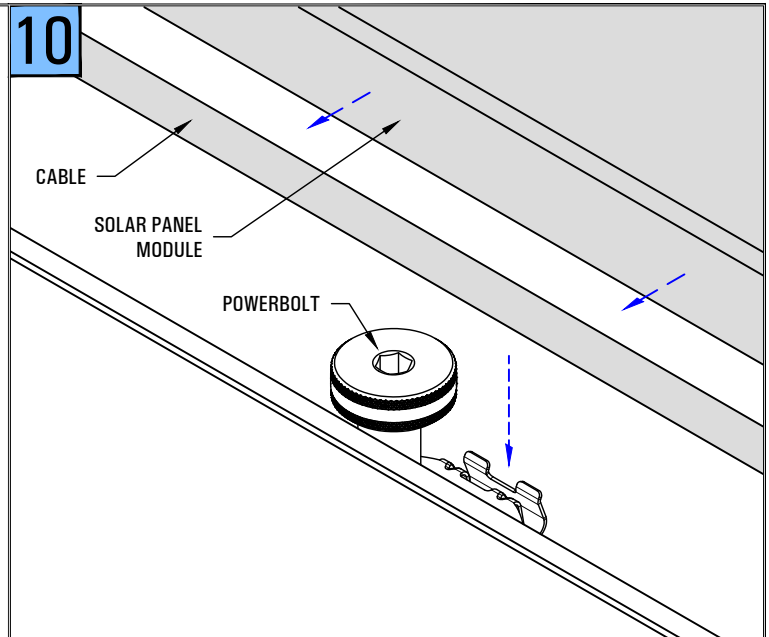
THE INFORMATION HEREIN IS CONFIDENTIAL AND PROPRIETARY AND IS NOT TO BE DISCLOSED OR DELIVERED TO THIRD PARTIES WITHOUT THE PRIOR WRITTEN CONSENT OF SOLAR CONNECTIONS INTERNATIONAL, INC.  
 SOLAR CONNECTIONS INTERNATIONAL, INC. DOES NOT WARRANT THE INSTALLATION IF ITS PRODUCTS. PRODUCT PERFORMANCE IS DEPENDENT ON THE INSTALLERS STRICT ADHERENCE TO THESE INSTALLATION INSTRUCTIONS.  
 SOLAR CONNECTIONS INTERNATIONAL, INC. IS NOT A LICENSED ARCHITECT OR ENGINEER, THEREFORE WE STRONGLY RECOMMEND THAT AN ARCHITECT AND/OR STRUCTURAL ENGINEER PROPERLY LICENSED IN THE CITY AND STATE WHERE THE PROJECT IS LOCATED, REVIEW THE CONTEMPLATED LAYOUT TO ENSURE THAT THE BUILDING STRUCTURE CAN WITHSTAND THE PROJECTED SNOW AND/OR WIND LOAD. SOLAR CONNECTIONS INTERNATIONAL, INC. ASSUMES NO LIABILITY THEREFORE.

DRAWN BY: RJH  
 DATE: 08/01/24  
 SCALE: N.T.S.

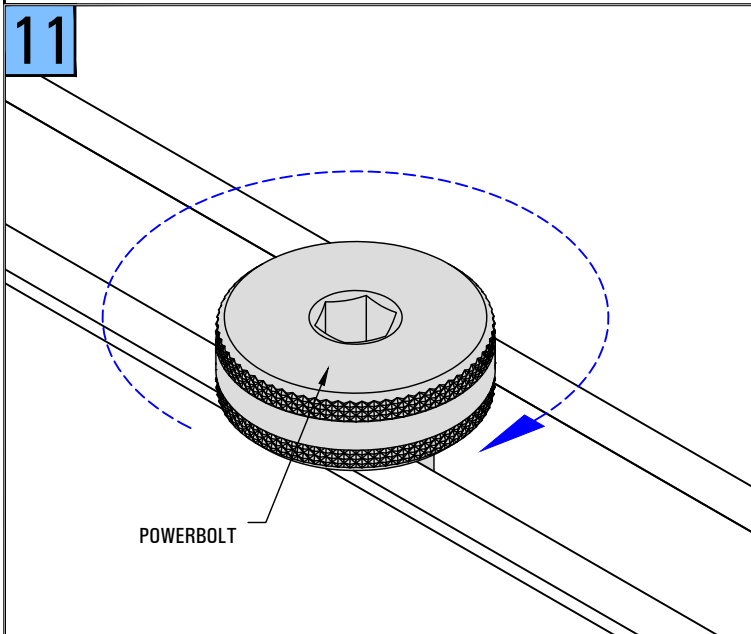
# \*\*\* SOLAR KIT INSTALLATION INSTRUCTIONS \*\*\*



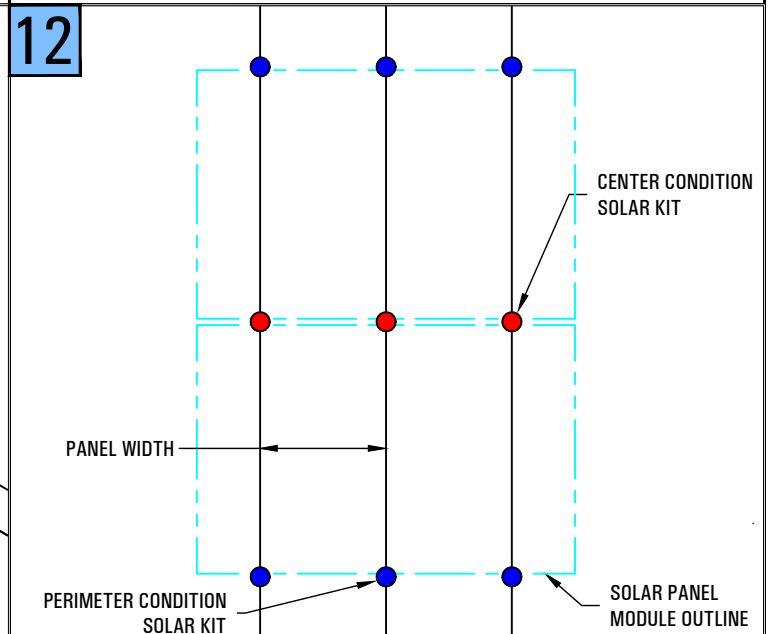
ONCE THE SOLAR PANEL MODULE IS IN PLACE, HAND TIGHTEN THE PV CUBE, REPEAT THIS STEPS 7-9 FOR EACH SOLAR PANEL MODULE IN THE FIRST ROW, OF A SERIES, ONLY.



SLIDE THE SOLAR PANEL MODULE ONTO THE TOP FACE OF THE CABLE MANAGEMENT DISC. MAKE SURE THE EDGE OF THE SOLAR PANEL MODULE IS COMPLETELY UP AGAINST THE CENTER SHANK OF THE POWERBOLT. USE THE CABLE MANAGEMENT HOOKS AS NECESSARY.



ONCE THE SOLAR PANEL MODULE IS IN PLACE, HAND TIGHTEN THE POWERBOLT . REPEAT STEPS 5-8 FOR EACH SOLAR PANEL MODULE. USE A POWERBOLT FOR THE FINAL PERIMETER CONDITION. ONCE THE ENTIRE MODULE SERIES IS INSTALLED, USE A CALIBRATED TORQUE WRENCH AND 10mm HEX ADAPTER AND TORQUE EVERY POWERBOLT TO A MINIMUM OF 200 IN/LBS. THIS WILL CREATE THE GROUND BONDING TECHNOLOGY TO EACH SOLAR PANEL MODULE IN A SERIES



VERIFY THAT THE PV CUBE IS SECURE, STRAIGHT AND LEVEL, THEN REPEAT STEPS 1-3 FOR REMAINING CLAMPS IN THE MODULE ARRAY. BE SURE TO FOLLOW THE ARCHITECT'S AND/OR ENGINEER'S REQUIRED SPACING AND/OR LAYOUT, INCLUDING THEIR ADJUSTMENTS FOR FIELD CONDITIONS IF ANY. A RECOMMENDED LAYOUT IS FURNISHED BY SOLAR CONNECTIONS INTERNATIONAL, INC. ONLY UPON WRITTEN REQUEST

## SOLAR KIT INSTALLATION CON'T.



4800 METALMASTER WAY - McHENRY, IL 60050

PHONE: 800.815.7652 WEBSITE: WWW.SOLARCONNECTIONS.COM  
 FAX: 815.455.4367 E-MAIL: INFO@SOLARCONNECTIONS.COM

### DISCLAIMER

THE INFORMATION HEREIN IS CONFIDENTIAL AND PROPRIETARY AND IS NOT TO BE DISCLOSED OR DELIVERED TO THIRD PARTIES WITHOUT THE PRIOR WRITTEN CONSENT OF SOLAR CONNECTIONS INTERNATIONAL, INC.  
 SOLAR CONNECTIONS INTERNATIONAL, INC. DOES NOT WARRANT THE INSTALLATION IF ITS PRODUCTS. PRODUCT PERFORMANCE IS DEPENDENT ON THE INSTALLERS STRICT ADHERENCE TO THESE INSTALLATION INSTRUCTIONS.  
 SOLAR CONNECTIONS INTERNATIONAL, INC. IS NOT A LICENSED ARCHITECT OR ENGINEER, THEREFORE WE STRONGLY RECOMMEND THAT AN ARCHITECT AND/OR STRUCTURAL ENGINEER PROPERLY LICENSED IN THE CITY AND STATE WHERE THE PROJECT IS LOCATED, REVIEW THE CONTEMPLATED LAYOUT TO ENSURE THAT THE BUILDING STRUCTURE CAN WITHSTAND THE PROJECTED SNOW AND/OR WIND LOAD. SOLAR CONNECTIONS INTERNATIONAL, INC. ASSUMES NO LIABILITY THEREFORE.

DRAWN BY: RJH  
 DATE: 08/01/24  
 SCALE: N.T.S.

3