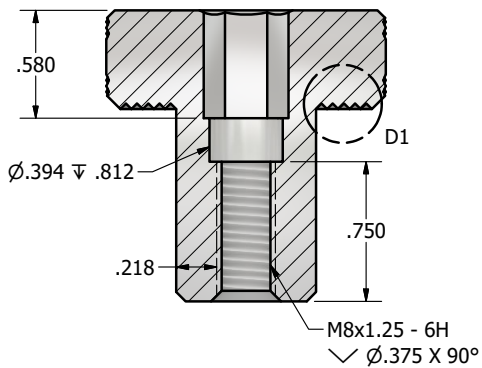
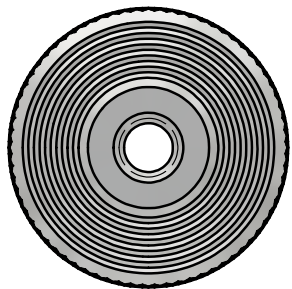


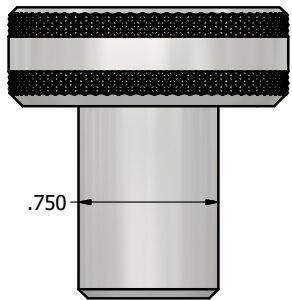
TOP VIEW
SCALE 1.5 : 1



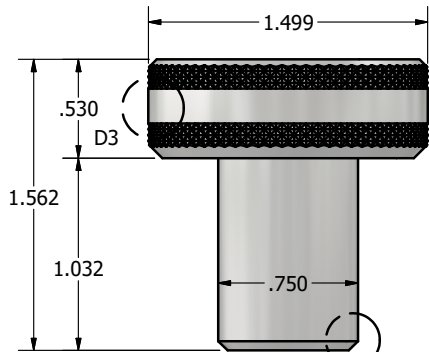
SECTION A-A
SCALE 1.5 : 1



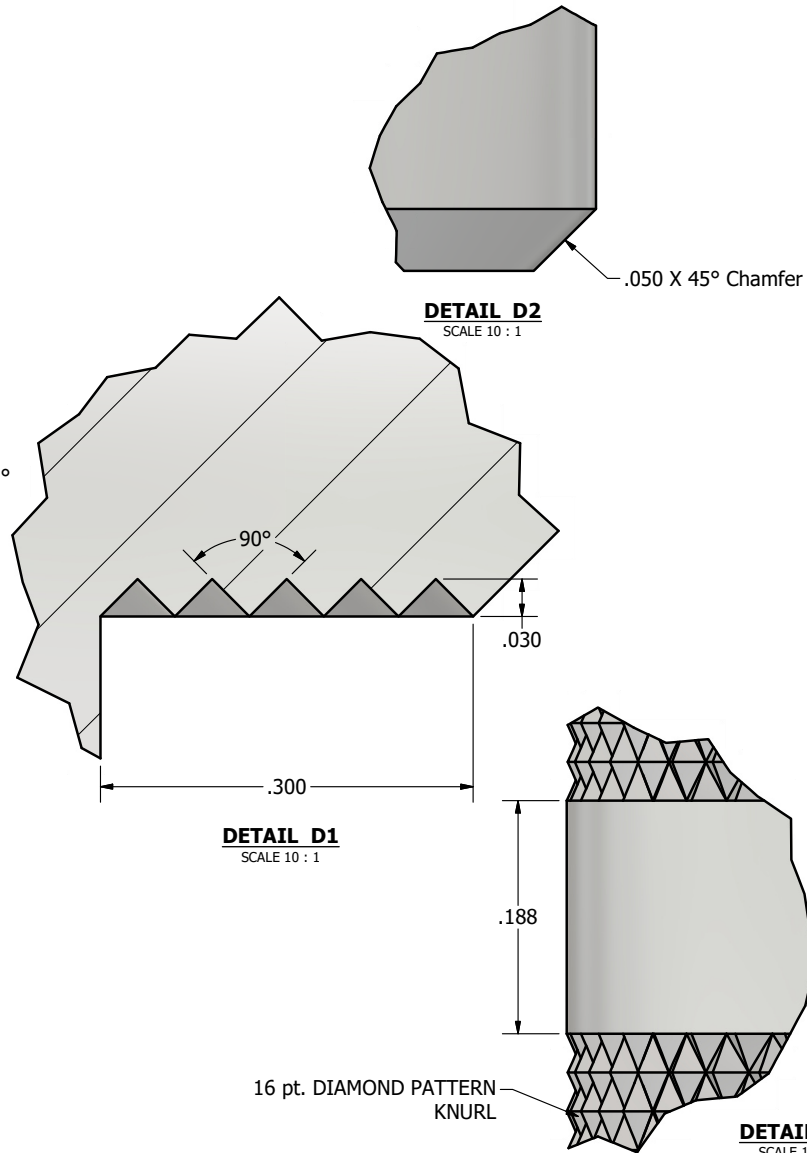
BOTTOM VIEW
SCALE 1.5 : 1



FRONT VIEW
SCALE: 1.5 : 1



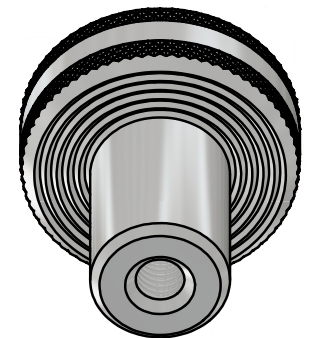
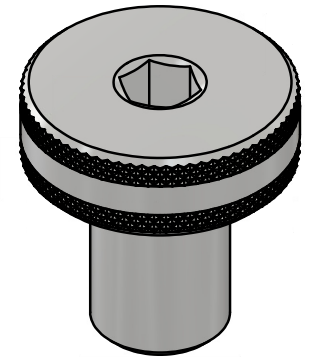
RIGHT VIEW
SCALE 1.5 : 1



DETAIL D1
SCALE 10 : 1

DETAIL D2
SCALE 10 : 1

DETAIL D3
SCALE 10 : 1



CONTACT INFORMATION

4800 METALMASTER WAY
MCHENRY, IL 60050
PHONE: 1-855-843-4828
FAX: 1-815-385-8738

EMAIL: INFO@LIMITLESSINNOVATIONS.COM

PART NUMBER:

CENTER POWERBOLT

DISCLAIMER

THE INFORMATION CONTAINED HEREIN IS CONFIDENTIAL AND PROPRIETARY AND IS NOT TO BE DISCLOSED OR DELIVERED TO THIRD PARTIES WITHOUT THE PRIOR WRITTEN CONSENT OF LIMITLESS INNOVATIONS, INC.

DRAWN BY:

rhoeffleur

CHECKED BY:

ENG. APPROVAL:

MATERIAL:

Aluminum 6061

9/26/2017

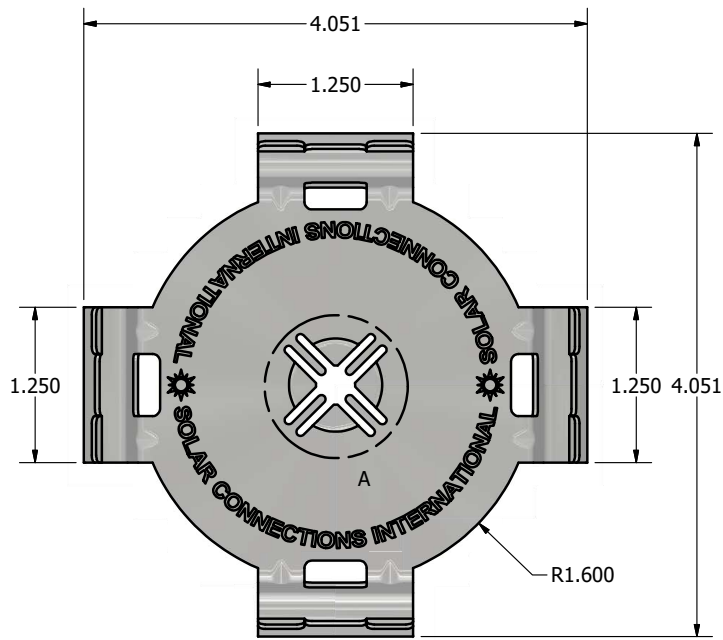
PROJECT:

TITLE:

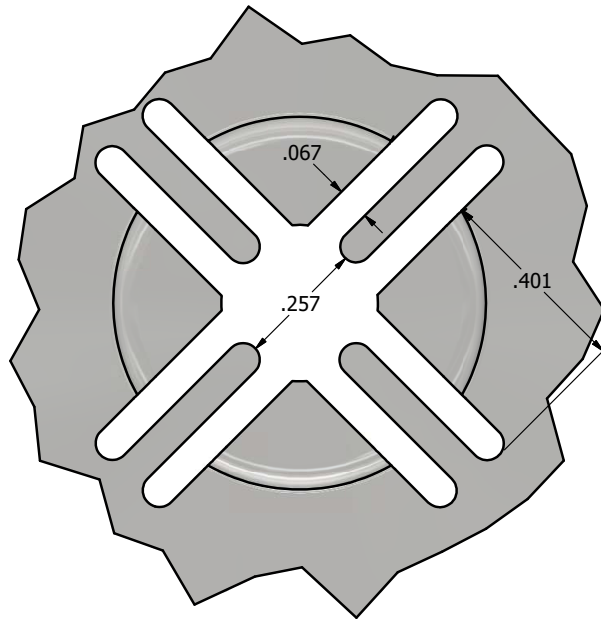
DESIGN STATE:

Pending

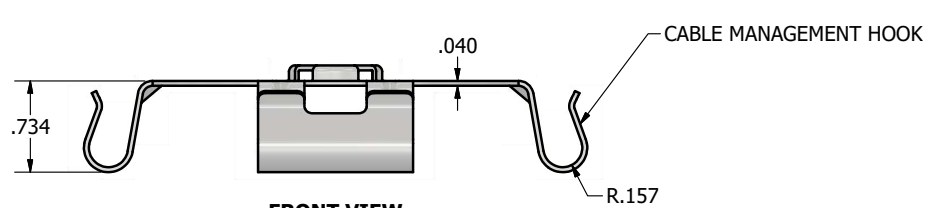
**SOLAR KIT POWERBOLT
CUT SHEET / DETAILS**



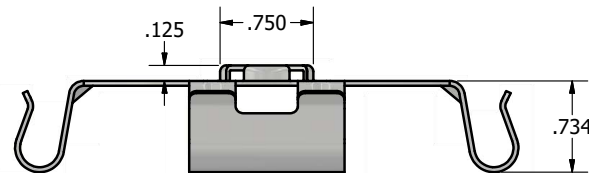
TOP VIEW
SCALE 1 : 1




DETAIL A
SCALE 4 : 1

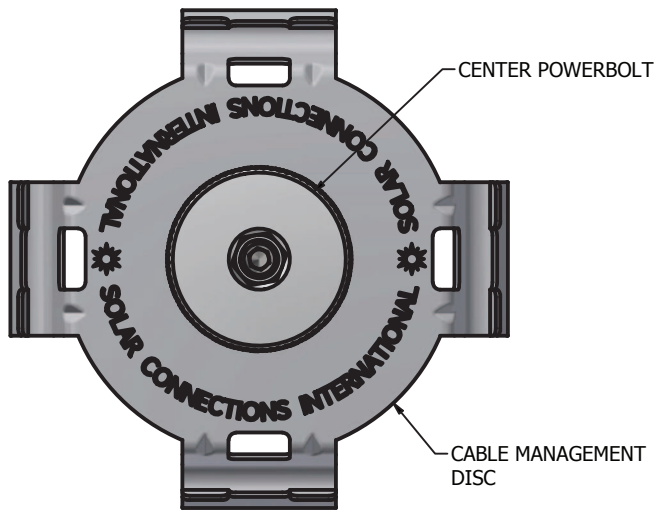


FRONT VIEW
SCALE: 1 : 1

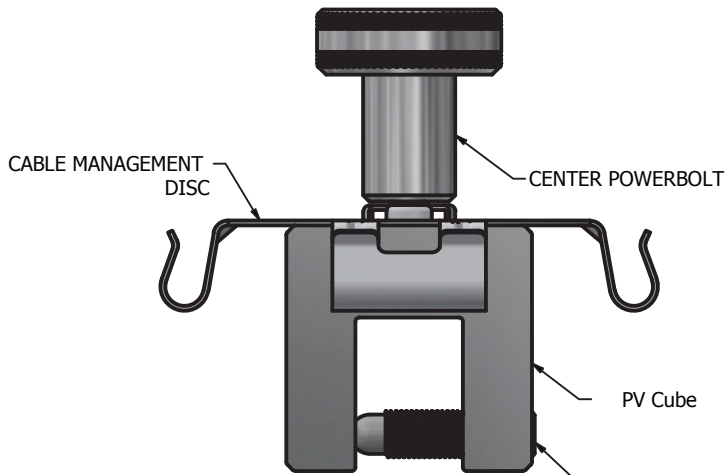
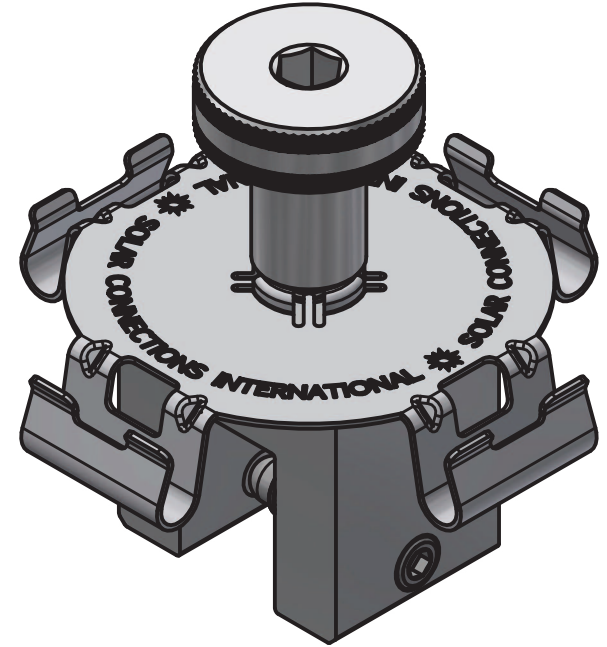


RIGHT VIEW
SCALE 1 : 1

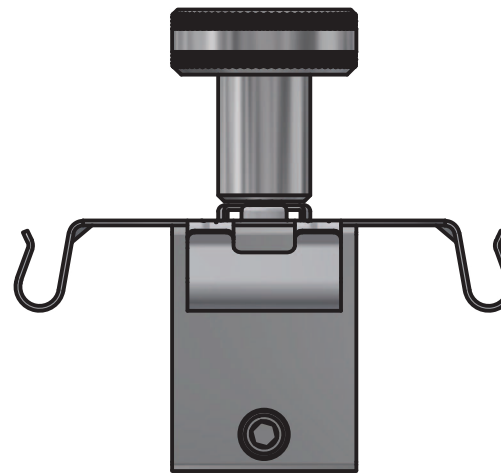
 <p>THE FUTURE OF SOLAR ATTACHMENTS™</p>	<p>CONTACT INFORMATION</p> <p>4800 METALMASTER WAY MCHENRY, IL 60050 PHONE: 1-800-815-7652 FAX: 1-815-455-4367 EMAIL: INFO@SOLARCONNECTIONS.COM</p>	<p>PART NUMBER:</p> <p>CABLE MANAGEMENT DISC</p>	<p>DRAWN BY: rhoeffleur</p> <p>CHECKED BY:</p> <p>10/29/2016</p>	<p>PROJECT:</p> <p>SOLAR KIT</p>
	<p>DISCLAIMER</p> <p>THE INFORMATION CONTAINED HEREIN IS CONFIDENTIAL AND PROPRIETARY AND IS NOT TO BE DISCLOSED OR DELIVERED TO THIRD PARTIES WITHOUT THE PRIOR WRITTEN CONSENT OF SOLAR CONNECTIONS INTERNATIONAL, INC.</p>		<p>ENG. APPROVAL:</p>	<p>TITLE:</p> <p>CUT SHEET / DETAILS</p>
			<p>MATERIAL:</p> <p>Aluminum 5052-H34</p>	<p>DESIGN STATE:</p> <p>Pending</p>



TOPVIEW
SCALE 1 : 1



FRONT VIEW
SCALE 1 : 1



RIGHT VIEW
SCALE 1 : 1



CONTACT INFORMATION

4800 METALMASTER WAY
McHENRY, IL 60050
PHONE: 1-855-843-4828
FAX: 1-815-385-8738
EMAIL: INFO@LIMITLESSINNOVATIONS.COM

PART NUMBER:

SOLAR CONNECTIONS KIT

DISCLAIMER

THE INFORMATION CONTAINED HEREIN IS CONFIDENTIAL AND PROPRIETARY AND IS NOT TO BE DISCLOSED OR DELIVERED TO THIRD PARTIES WITHOUT THE PRIOR WRITTEN CONSENT OF LIMITLESS INNOVATIONS, INC.

DRAWN BY:

rheffleur

CHECKED BY:

ENG. APPROVAL:

MATERIAL:

9/26/2017

PROJECT:

SOLAR CONNECTIONS KIT

TITLE:

CUT SHEET / DETAILS

DESIGN STATE:

Pending