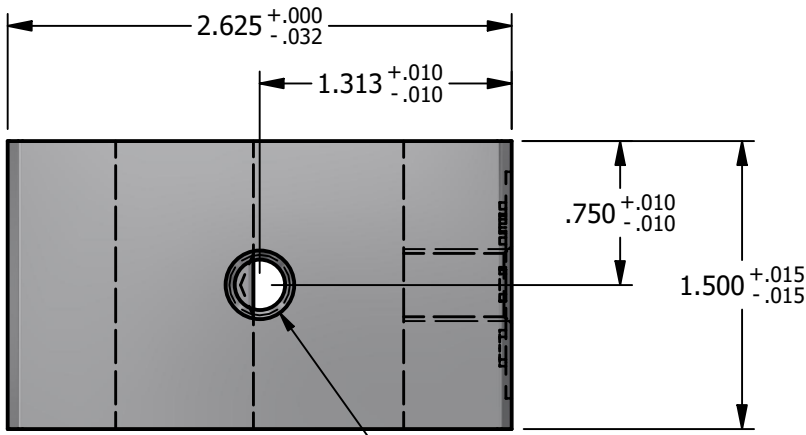


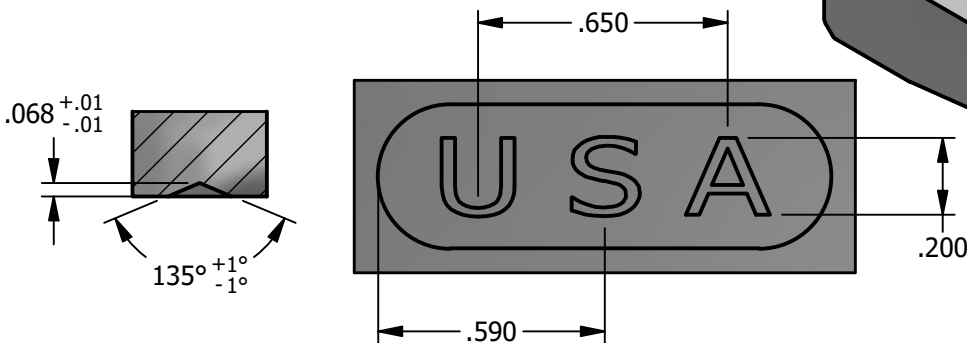
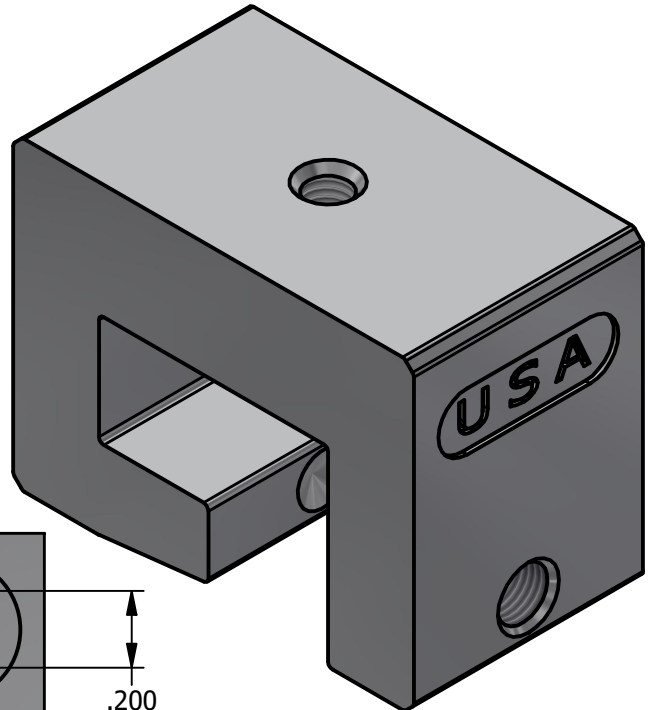
***** SCI PRODUCT CUT SHEET *****

REV-001 APPROVED FOR PRODUCTION 1/18/25



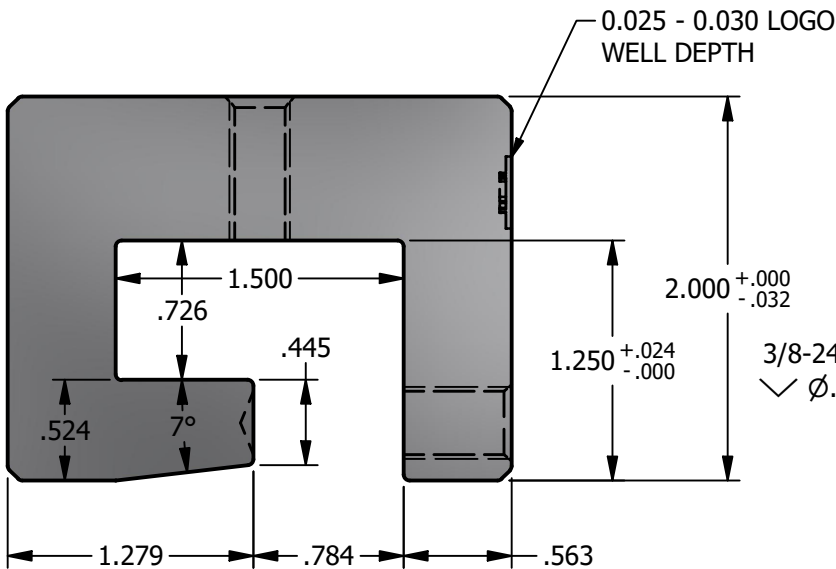
TOP VIEW

M8x1.25 - 6H
 ✓ \varnothing .360 X 82°

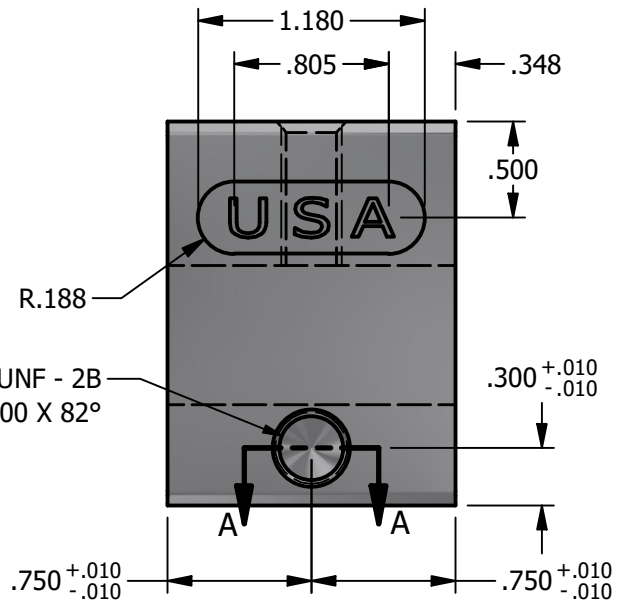


SECTION A-A

LOGO DETAIL



FRONT VIEW



RIGHT VIEW

NOTES:

1. FOR CLARITY THIS DRAWING IS NOT TO SCALE.
2. CONTACT THE MANUFACTURER FOR RECOMMENDED LAYOUTS, SPACING AND ADDITIONAL DETAILS.
3. INSTALLATION MUST BE COMPLETED WITH THE MANUFACTURERS WRITTEN SPECIFICATIONS AND INSTALLATION INSTRUCTIONS.
4. THESE DRAWINGS ARE SUBJECT TO CHANGE WITHOUT NOTICE.



SOLAR CONNECTIONS INTERNATIONAL

THE FUTURE OF SOLAR ATTACHMENTS

4800 METALMASTER WAY - MCHENRY, IL 60050

PHONE: 800.815.7652 WEBSITE: WWW.SOLARCONNECTIONS.COM
 FAX: 815.455.4367 E-MAIL: INFO@SOLARCONNECTIONS.COM

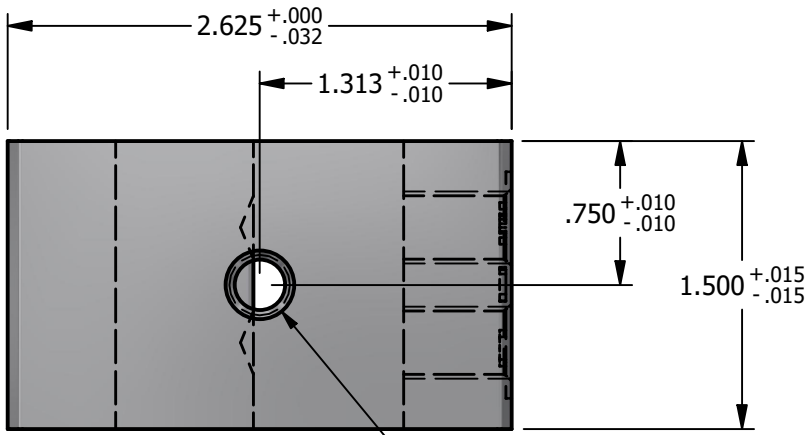
8779-601 PV CUBE WIDE-1SS-USA | DIE: 8779

DRAWN BY:	rhoeffleur
DATE:	1/18/2025
SCALE:	N.T.S.
MATERIAL:	Aluminum 6061

THE INFORMATION HEREIN IS CONFIDENTIAL AND PROPRIETARY AND IS NOT TO BE DISCLOSED OR DELIVERED TO THIRD PARTIES WITHOUT THE PRIOR WRITTEN CONSENT OF SOLAR CONNECTIONS INTERNATIONAL, INC.

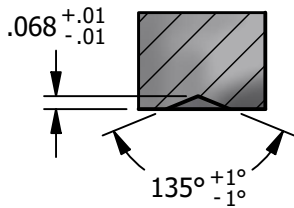
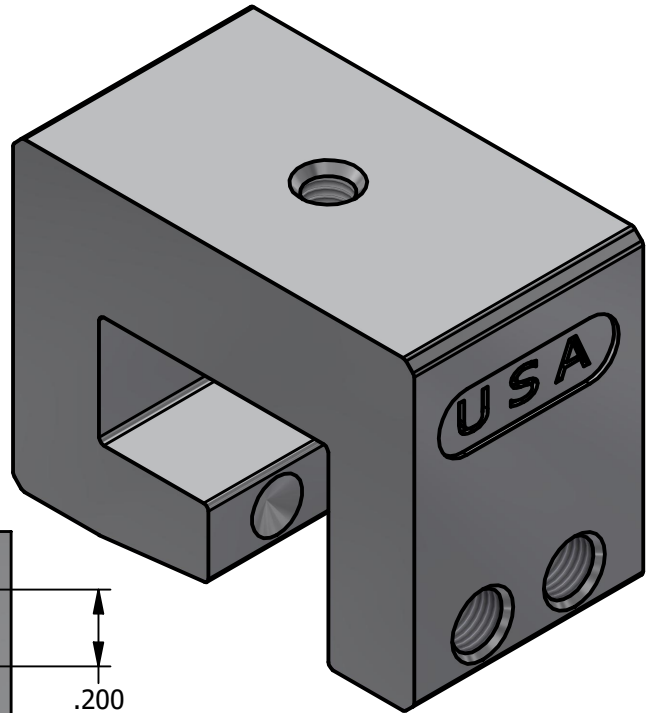
***** SCI PRODUCT CUT SHEET *****

REV-001 APPROVED FOR PRODUCTION 1/18/25

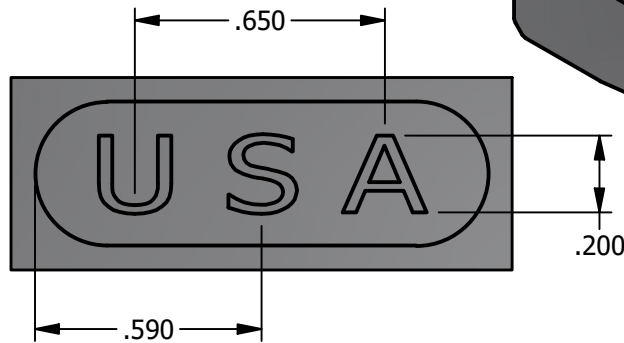


TOP VIEW

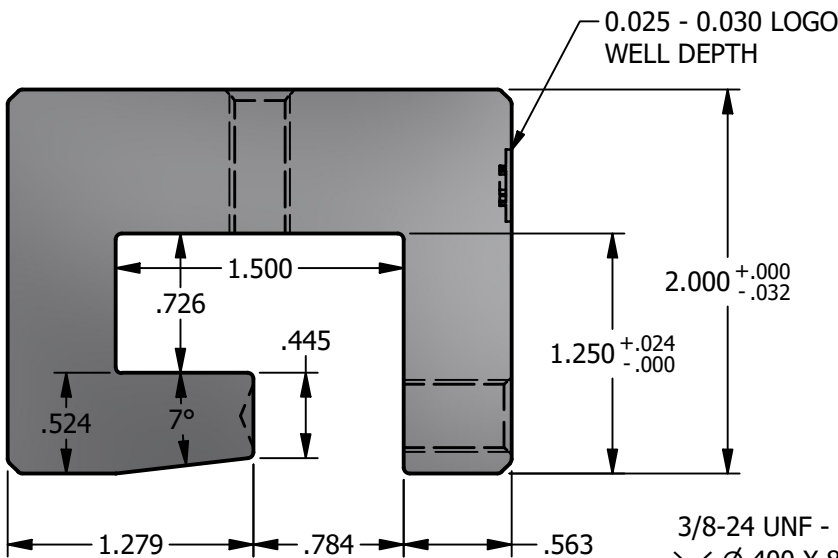
M8x1.25 - 6H
 ✓ $\varnothing .360 \times 82^\circ$



SECTION A-A

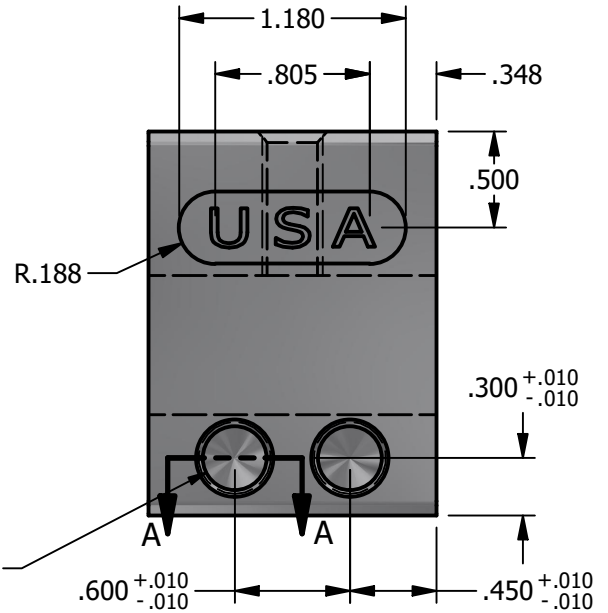


LOGO DETAIL



FRONT VIEW

3/8-24 UNF - 2B
 ✓ $\varnothing .400 \times 82^\circ$
 (TYP. AT 2 LOCATIONS)



RIGHT VIEW

NOTES:

1. FOR CLARITY THIS DRAWING IS NOT TO SCALE.
2. CONTACT THE MANUFACTURER FOR RECOMMENDED LAYOUTS, SPACING AND ADDITIONAL DETAILS.
3. INSTALLATION MUST BE COMPLETED WITH THE MANUFACTURERS WRITTEN SPECIFICATIONS AND INSTALLATION INSTRUCTIONS.
4. THESE DRAWINGS ARE SUBJECT TO CHANGE WITHOUT NOTICE.



SOLAR CONNECTIONS INTERNATIONAL

THE FUTURE OF SOLAR ATTACHMENTS

4800 METALMASTER WAY - MCHENRY, IL 60050

PHONE: 800.815.7652 WEBSITE: WWW.SOLARCONNECTIONS.COM
 FAX: 815.455.4367 E-MAIL: INFO@SOLARCONNECTIONS.COM

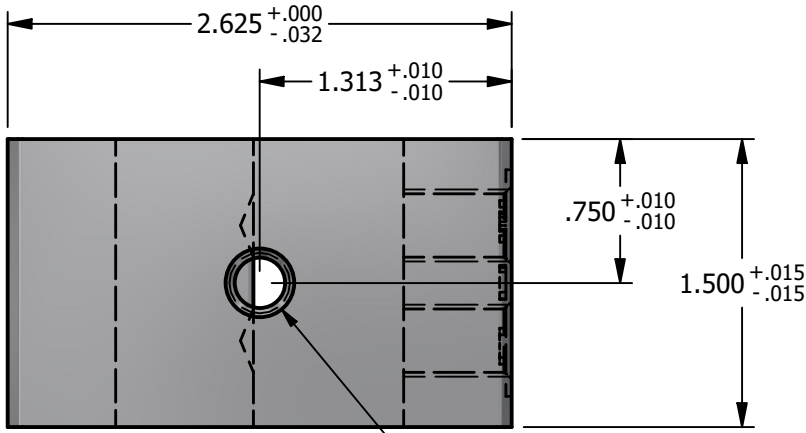
8779-602 PV CUBE WIDE-2SS-USA | DIE: 8779

DRAWN BY:	rhoeffleur
DATE:	1/18/2025
SCALE:	N.T.S.
MATERIAL:	Aluminum 6061

THE INFORMATION HEREIN IS CONFIDENTIAL AND PROPRIETARY AND IS NOT TO BE DISCLOSED OR DELIVERED TO THIRD PARTIES WITHOUT THE PRIOR WRITTEN CONSENT OF SOLAR CONNECTIONS INTERNATIONAL, INC.

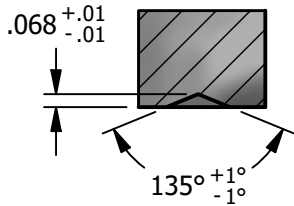
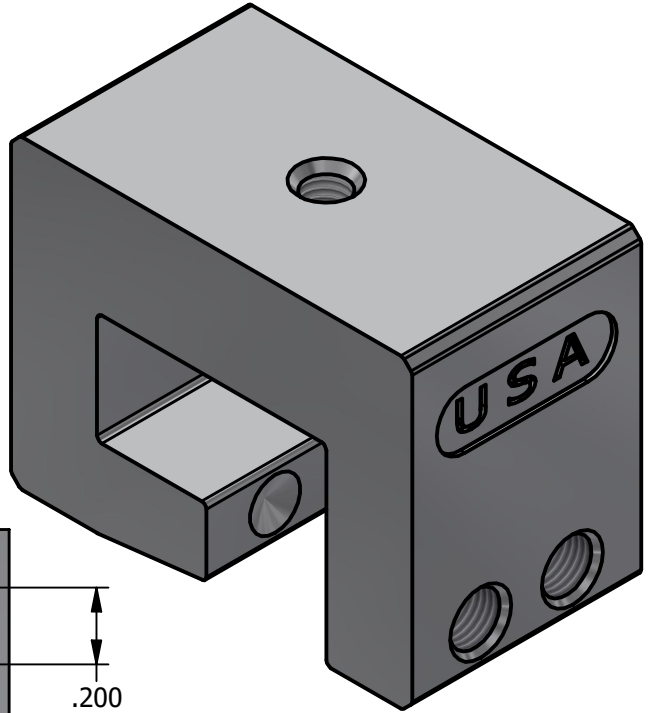
*** SCI PRODUCT CUT SHEET ***

REV-001 APPROVED FOR PRODUCTION 1/18/25

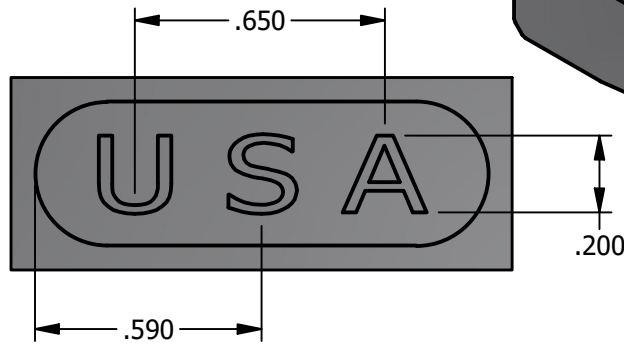


TOP VIEW

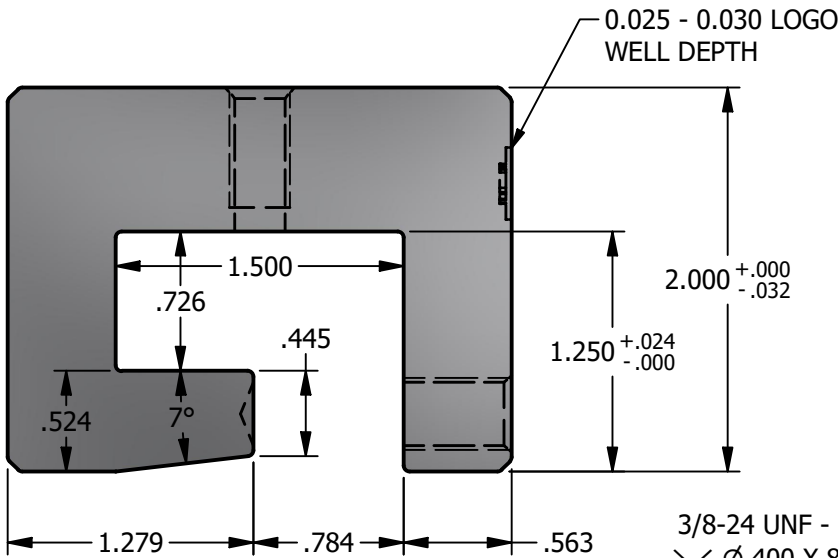
M8x1.25 - 6H ∇ .625
 ∇ ϕ .360 X 82°



SECTION A-A

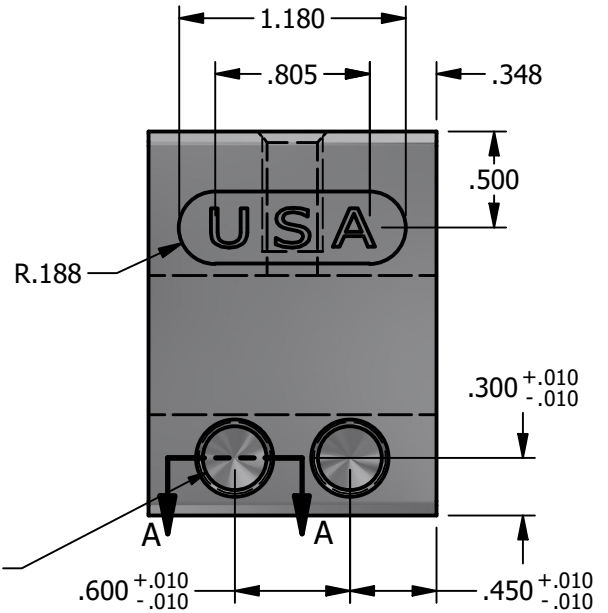


LOGO DETAIL



FRONT VIEW

3/8-24 UNF - 2B
 ∇ ϕ .400 X 82°
 (TYP. AT 2 LOCATIONS)



RIGHT VIEW

NOTES:

1. FOR CLARITY THIS DRAWING IS NOT TO SCALE.
2. CONTACT THE MANUFACTURER FOR RECOMMENDED LAYOUTS, SPACING AND ADDITIONAL DETAILS.
3. INSTALLATION MUST BE COMPLETED WITH THE MANUFACTURERS WRITTEN SPECIFICATIONS AND INSTALLATION INSTRUCTIONS.
4. THESE DRAWINGS ARE SUBJECT TO CHANGE WITHOUT NOTICE.



SOLAR CONNECTIONS INTERNATIONAL

THE FUTURE OF SOLAR ATTACHMENTS

4800 METALMASTER WAY - MCHENRY, IL 60050

PHONE: 800.815.7652 WEBSITE: WWW.SOLARCONNECTIONS.COM
 FAX: 815.455.4367 E-MAIL: INFO@SOLARCONNECTIONS.COM

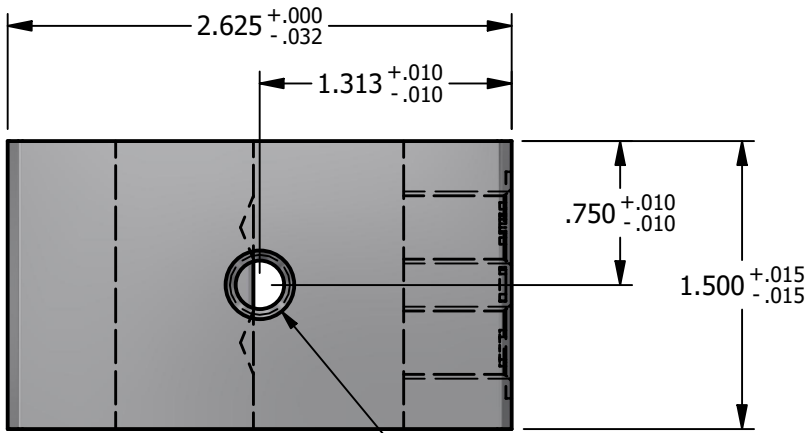
8779-602-SCI PV CUBE WIDE-2SS-SCI-USA | DIE: 8779

DRAWN BY:	rhoeffleur
DATE:	1/18/2025
SCALE:	N.T.S.
MATERIAL:	Aluminum 6061

THE INFORMATION HEREIN IS CONFIDENTIAL AND PROPRIETARY AND IS NOT TO BE DISCLOSED OR DELIVERED TO THIRD PARTIES WITHOUT THE PRIOR WRITTEN CONSENT OF SOLAR CONNECTIONS INTERNATIONAL, INC.

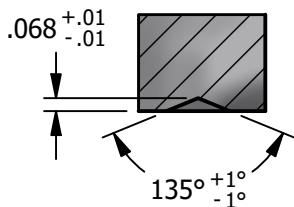
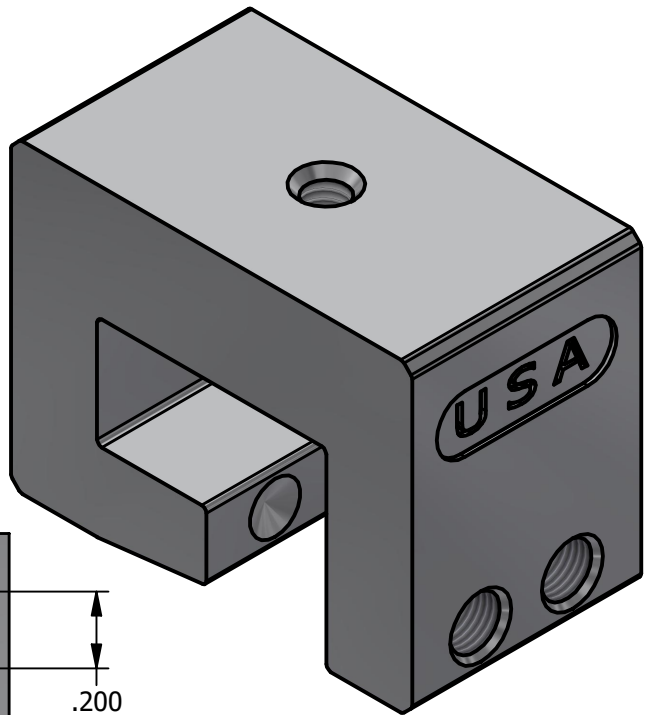
***** SCI PRODUCT CUT SHEET *****

REV-001 APPROVED FOR PRODUCTION 1/18/25

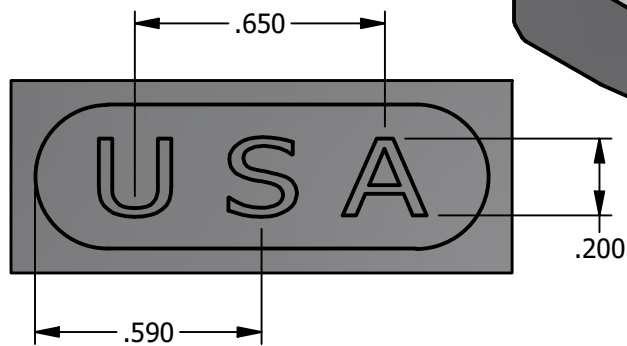


TOP VIEW

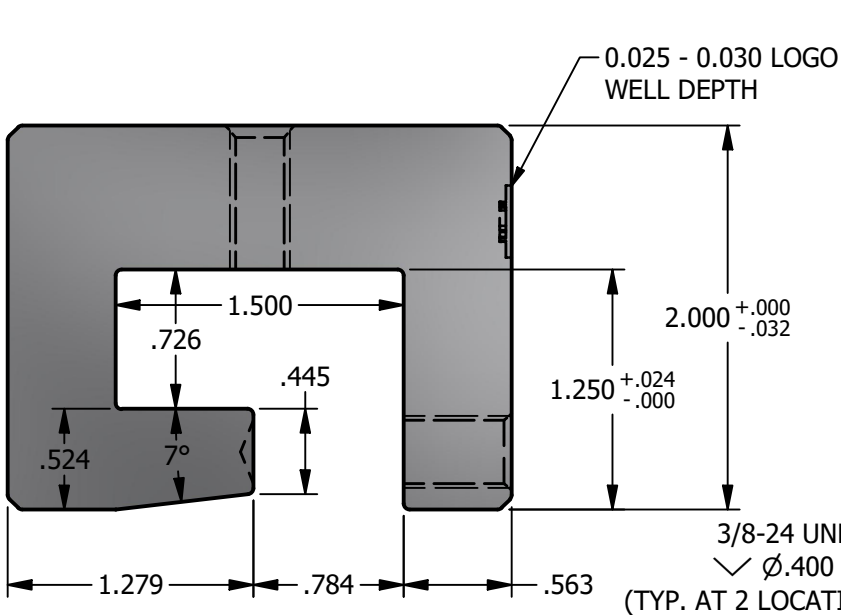
5/16-18 UNC - 2B
 ✓ $\phi .360 \times 82^\circ$



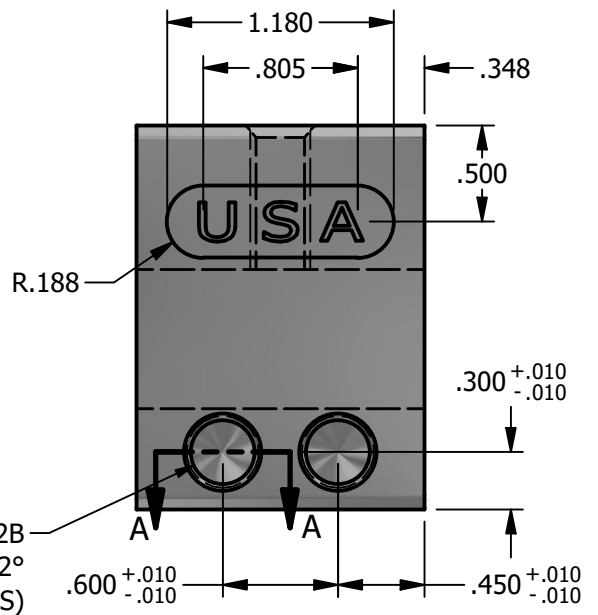
SECTION A-A



LOGO DETAIL



FRONT VIEW



RIGHT VIEW

NOTES:

1. FOR CLARITY THIS DRAWING IS NOT TO SCALE.
2. CONTACT THE MANUFACTURER FOR RECOMMENDED LAYOUTS, SPACING AND ADDITIONAL DETAILS.
3. INSTALLATION MUST BE COMPLETED WITH THE MANUFACTURERS WRITTEN SPECIFICATIONS AND INSTALLATION INSTRUCTIONS.
4. THESE DRAWINGS ARE SUBJECT TO CHANGE WITHOUT NOTICE.

SOLAR CONNECTIONS INTERNATIONAL
 THE FUTURE OF SOLAR ATTACHMENTS
 4800 METALMASTER WAY - MCHENRY, IL 60050
 PHONE: 800.815.7652 WEBSITE: WWW.SOLARCONNECTIONS.COM
 FAX: 815.455.4367 E-MAIL: INFO@SOLARCONNECTIONS.COM

8779-602-UNI PV CUBE WIDE-2SS-UNI-USA | DIE: 8779

DRAWN BY:	rhoeffleur	THE INFORMATION HEREIN IS CONFIDENTIAL AND PROPRIETARY AND IS NOT TO BE DISCLOSED OR DELIVERED TO THIRD PARTIES WITHOUT THE PRIOR WRITTEN CONSENT OF SOLAR CONNECTIONS INTERNATIONAL, INC.
DATE:	1/18/2025	
SCALE:	N.T.S.	
MATERIAL:	Aluminum 6061	