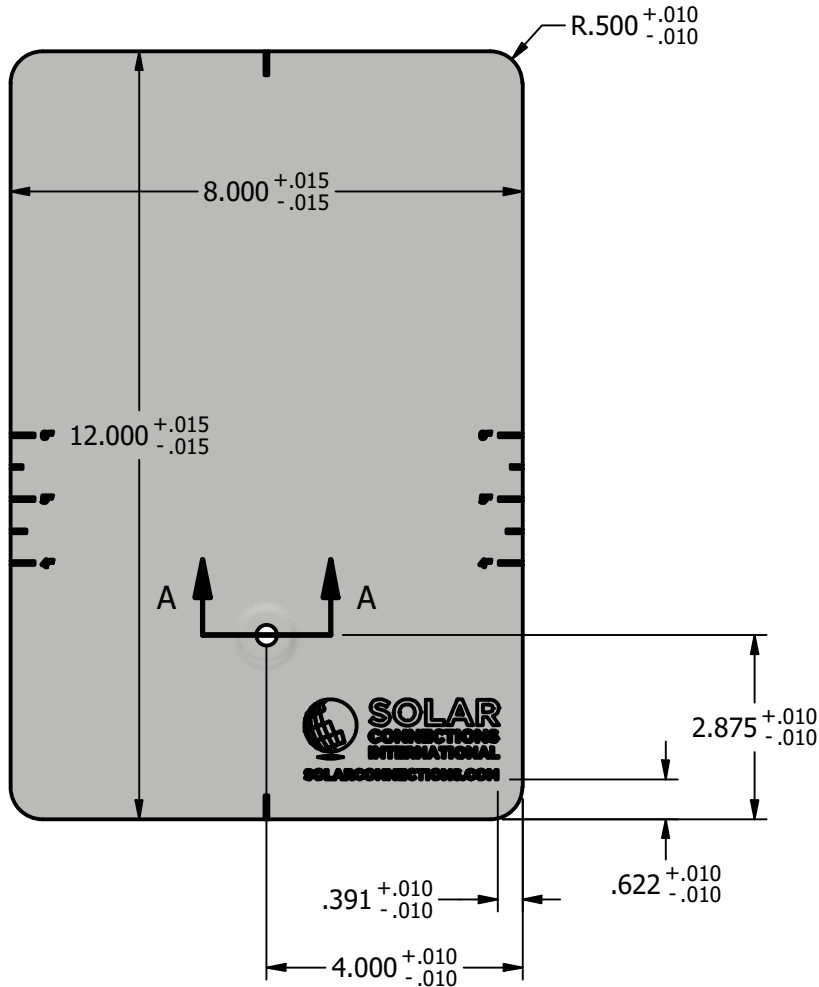
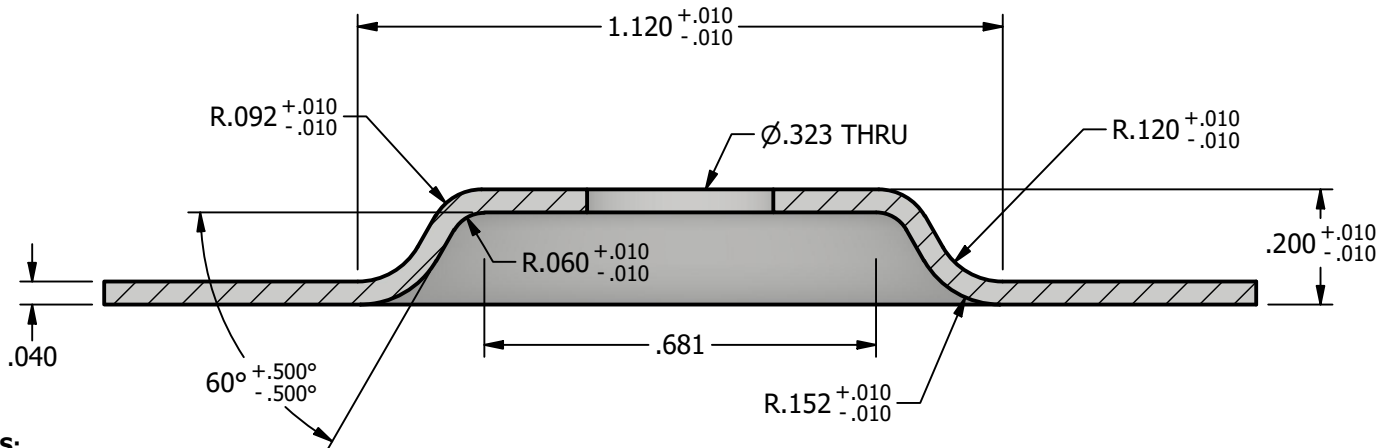


*** SCI PRODUCT CUT SHEET ***

REV-001	APPROVED FOR PRODUCTION 1/18/25
---------	---------------------------------



TOP VIEW



SECTION A-A

NOTES:

1. FOR CLARITY THIS DRAWING IS NOT TO SCALE.
2. CONTACT THE MANUFACTURER FOR RECOMMENDED LAYOUTS, SPACING AND ADDITIONAL DETAILS.
3. INSTALLATION MUST BE COMPLETED WITH THE MANUFACTURERS WRITTEN SPECIFICATIONS AND INSTALLATION INSTRUCTIONS.
4. THESE DRAWINGS ARE SUBJECT TO CHANGE WITHOUT NOTICE.



SOLAR CONNECTIONS INTERNATIONAL

THE FUTURE OF SOLAR ATTACHMENTS

4800 METALMASTER WAY - MCHENRY, IL 60050

PHONE: 800.815.7652 WEBSITE: WWW.SOLARCONNECTIONS.COM
 FAX: 815.455.4367 E-MAIL: INFO@SOLARCONNECTIONS.COM

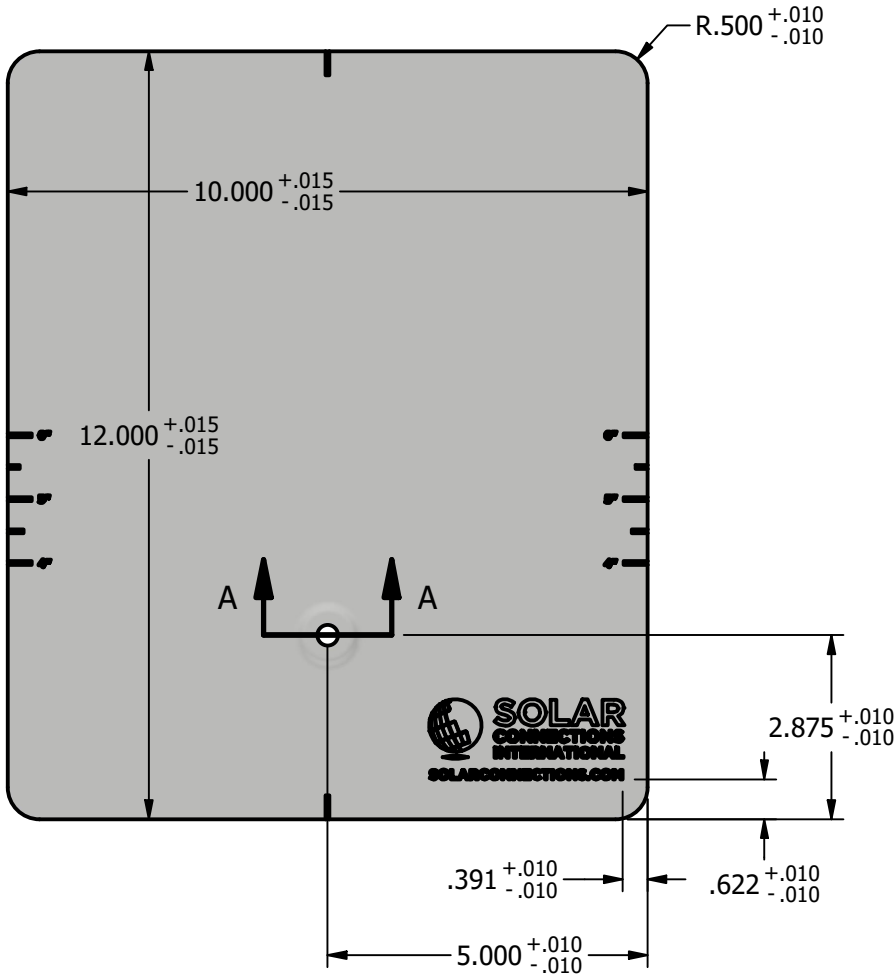
PWRPLT 8x12-ELV-R

DRAWN BY:	rhoeffleur
DATE:	1/18/2025
SCALE:	N.T.S.
MATERIAL:	.040 ALUMINUM

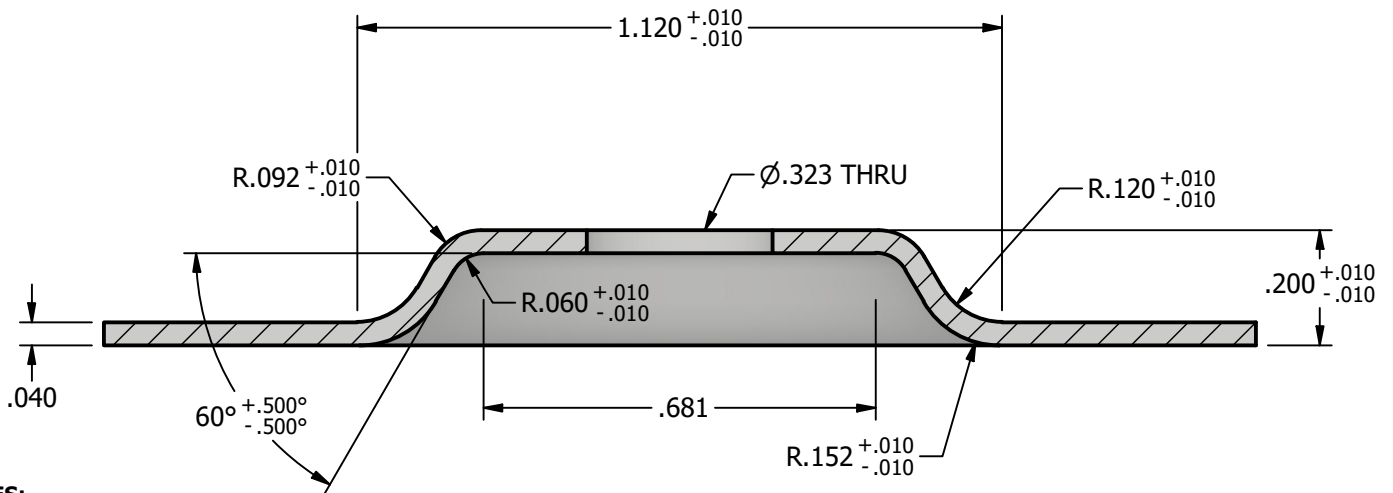
THE INFORMATION HEREIN IS CONFIDENTIAL AND PROPRIETARY AND IS NOT TO BE DISCLOSED OR DELIVERED TO THIRD PARTIES WITHOUT THE PRIOR WRITTEN CONSENT OF SOLAR CONNECTIONS INTERNATIONAL, INC.

*** SCI PRODUCT CUT SHEET ***

REV-001	APPROVED FOR PRODUCTION 1/18/25
---------	---------------------------------



TOP VIEW



SECTION A-A

NOTES:

1. FOR CLARITY THIS DRAWING IS NOT TO SCALE.
2. CONTACT THE MANUFACTURER FOR RECOMMENDED LAYOUTS, SPACING AND ADDITIONAL DETAILS.
3. INSTALLATION MUST BE COMPLETED WITH THE MANUFACTURERS WRITTEN SPECIFICATIONS AND INSTALLATION INSTRUCTIONS.
4. THESE DRAWINGS ARE SUBJECT TO CHANGE WITHOUT NOTICE.



SOLAR

CONNECTIONS
INTERNATIONAL

THE FUTURE OF SOLAR ATTACHMENTS

4800 METALMASTER WAY - MCHENRY, IL 60050

PHONE: 800.815.7652 WEBSITE: WWW.SOLARCONNECTIONS.COM
FAX: 815.455.4367 E-MAIL: INFO@SOLARCONNECTIONS.COM

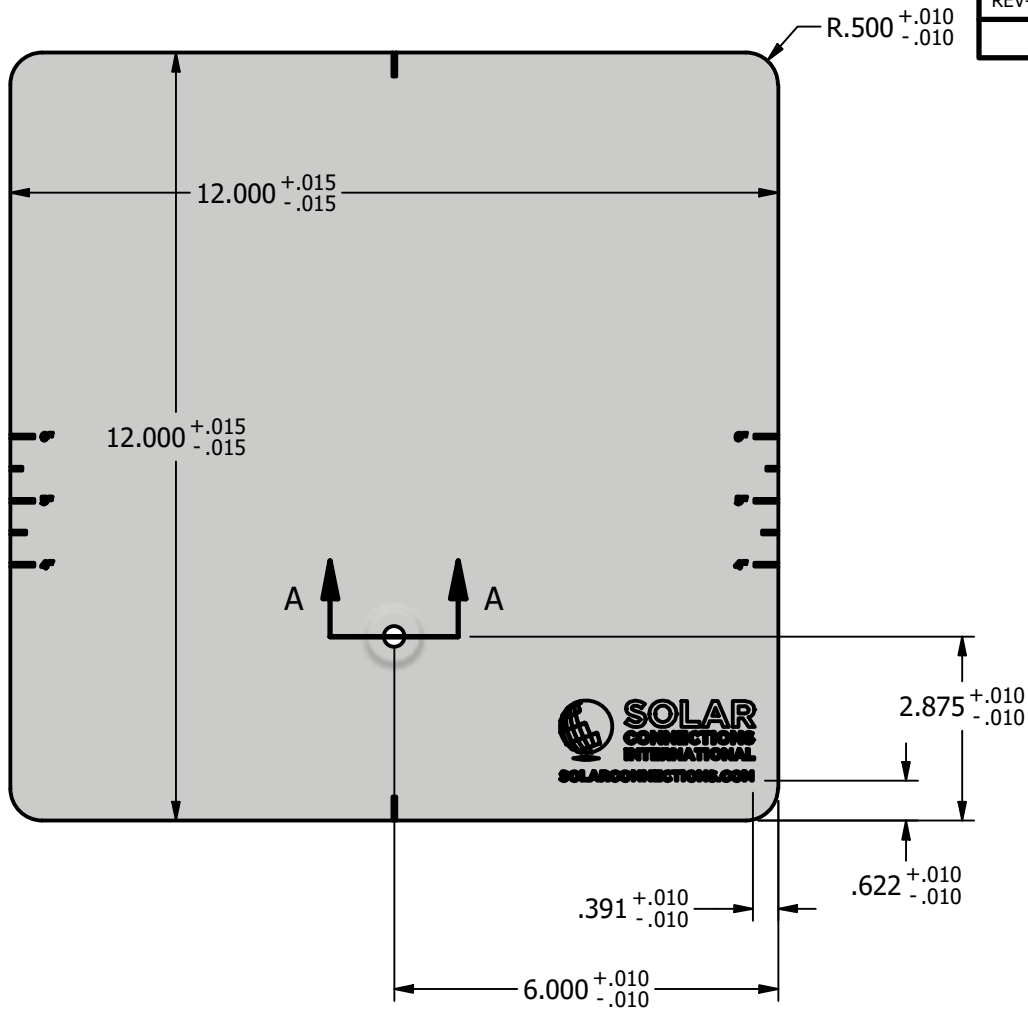
PWRPLT-10x12-ELV

DRAWN BY:	rhoeffleur
DATE:	1/18/2025
SCALE:	N.T.S.
MATERIAL:	.040 ALUMINUM

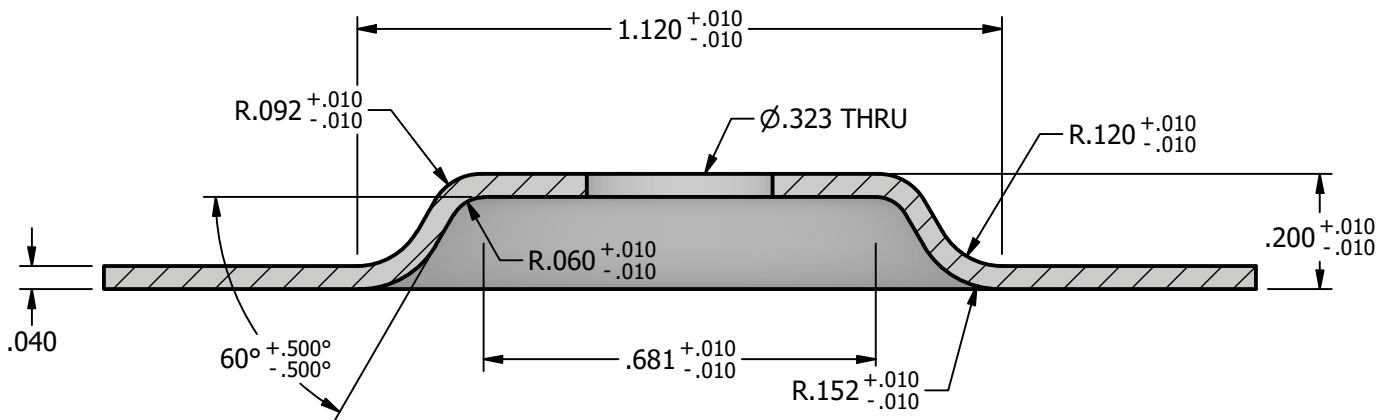
THE INFORMATION HEREIN IS CONFIDENTIAL AND PROPRIETARY AND IS NOT TO BE DISCLOSED OR DELIVERED TO THIRD PARTIES WITHOUT THE PRIOR WRITTEN CONSENT OF SOLAR CONNECTIONS INTERNATIONAL, INC.

*** SCI PRODUCT CUT SHEET ***

REV-001	APPROVED FOR PRODUCTION 1/18/25
---------	---------------------------------



TOP VIEW



SECTION A-A

NOTES:

1. FOR CLARITY THIS DRAWING IS NOT TO SCALE.
2. CONTACT THE MANUFACTURER FOR RECOMMENDED LAYOUTS, SPACING AND ADDITIONAL DETAILS.
3. INSTALLATION MUST BE COMPLETED WITH THE MANUFACTURERS WRITTEN SPECIFICATIONS AND INSTALLATION INSTRUCTIONS.
4. THESE DRAWINGS ARE SUBJECT TO CHANGE WITHOUT NOTICE.



SOLAR

CONNECTIONS

INTERNATIONAL

THE FUTURE OF SOLAR ATTACHMENTS

4800 METALMASTER WAY - MCHENRY, IL 60050

PHONE: 800.815.7652 WEBSITE: WWW.SOLARCONNECTIONS.COM
FAX: 815.455.4367 E-MAIL: INFO@SOLARCONNECTIONS.COM

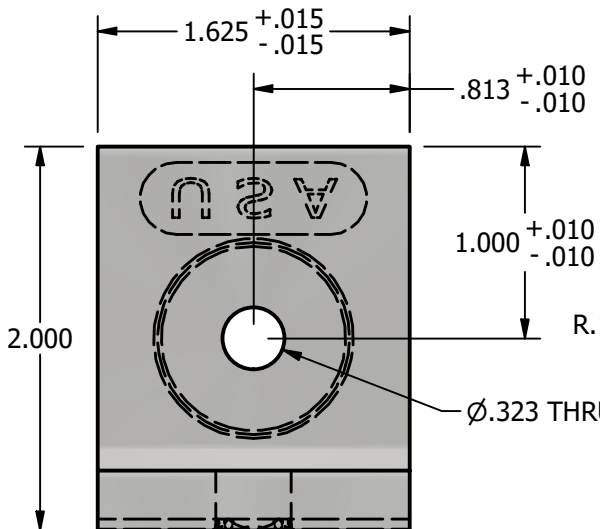
PWRPLT-12x12-ELV

DRAWN BY:	rhoeffleur
DATE:	1/18/2025
SCALE:	N.T.S.
MATERIAL:	.040 ALUMINUM

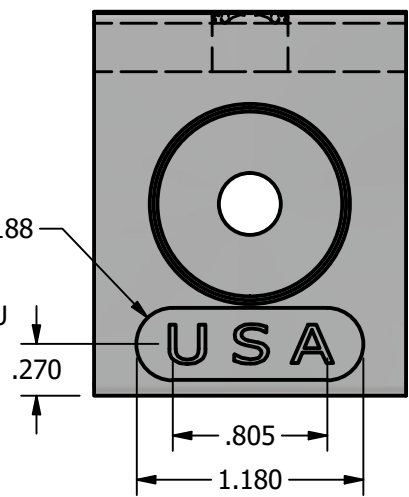
THE INFORMATION HEREIN IS CONFIDENTIAL AND PROPRIETARY AND IS NOT TO BE DISCLOSED OR DELIVERED TO THIRD PARTIES WITHOUT THE PRIOR WRITTEN CONSENT OF SOLAR CONNECTIONS INTERNATIONAL, INC.

***** SCI PRODUCT CUT SHEET *****

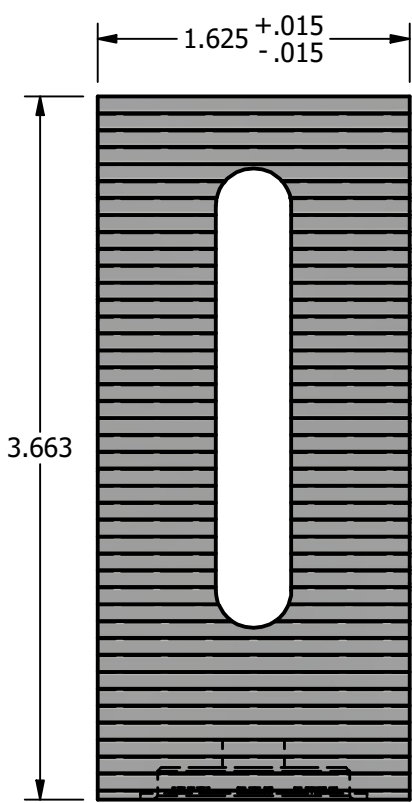
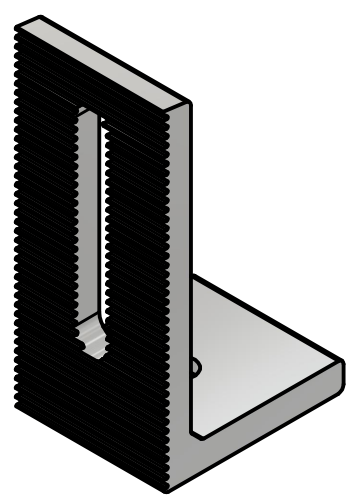
REV-001	APPROVED FOR PRODUCTION 1/18/25



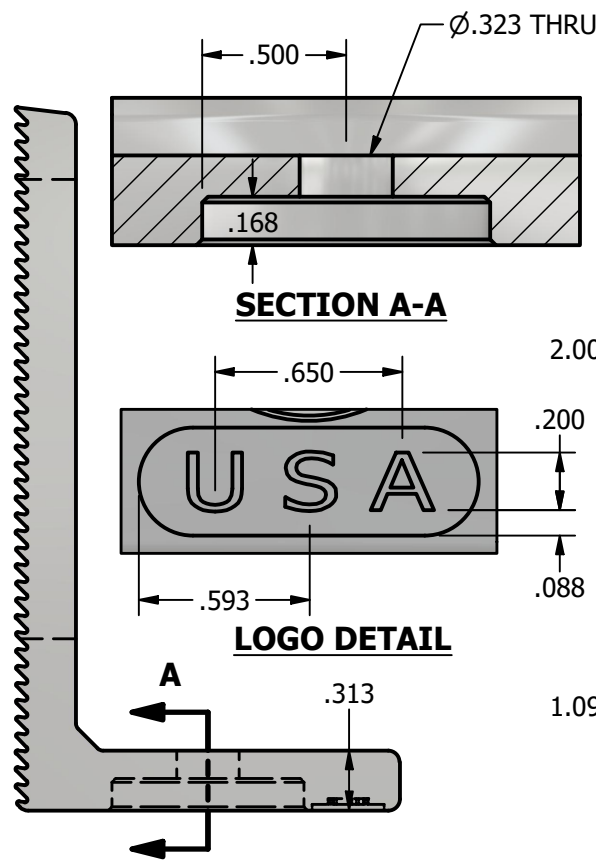
TOP VIEW



BOTTOM VIEW



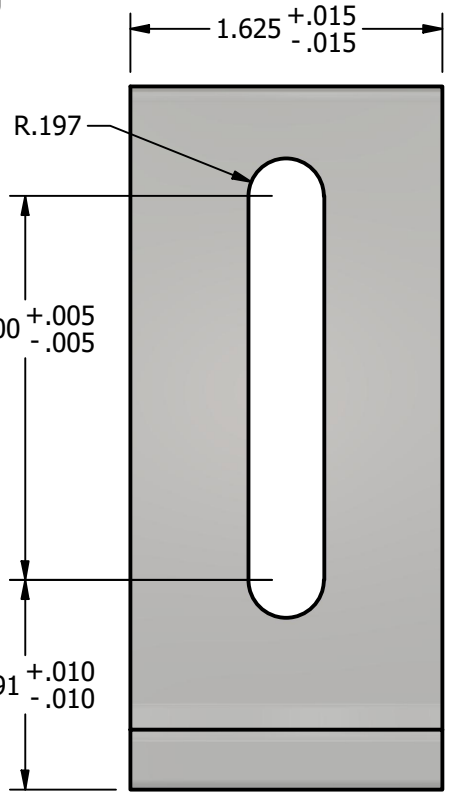
FRONT VIEW



SECTION A-A

LOGO DETAIL

RIGHT VIEW



BACK VIEW

NOTES:

- FOR CLARITY THIS DRAWING IS NOT TO SCALE.
- CONTACT THE MANUFACTURER FOR RECOMMENDED LAYOUTS, SPACING AND ADDITIONAL DETAILS.
- INSTALLATION MUST BE COMPLETED WITH THE MANUFACTURERS WRITTEN SPECIFICATIONS AND INSTALLATION INSTRUCTIONS.
- THESE DRAWINGS ARE SUBJECT TO CHANGE WITHOUT NOTICE.

SOLAR CONNECTIONS INTERNATIONAL
THE FUTURE OF SOLAR ATTACHMENTS
 4800 METALMASTER WAY - MCHENRY, IL 60050
 PHONE: 800.815.7652 WEBSITE: WWW.SOLARCONNECTIONS.COM
 FAX: 815.455.4367 E-MAIL: INFO@SOLARCONNECTIONS.COM

LF00T-ELV-USA | DIE: 10144

DRAWN BY:	rhoeffleur	THE INFORMATION HEREIN IS CONFIDENTIAL AND PROPRIETARY AND IS NOT TO BE DISCLOSED OR DELIVERED TO THIRD PARTIES WITHOUT THE PRIOR WRITTEN CONSENT OF SOLAR CONNECTIONS INTERNATIONAL, INC.
DATE:	1/18/2025	
SCALE:	N.T.S.	
MATERIAL:	Aluminum 6061	