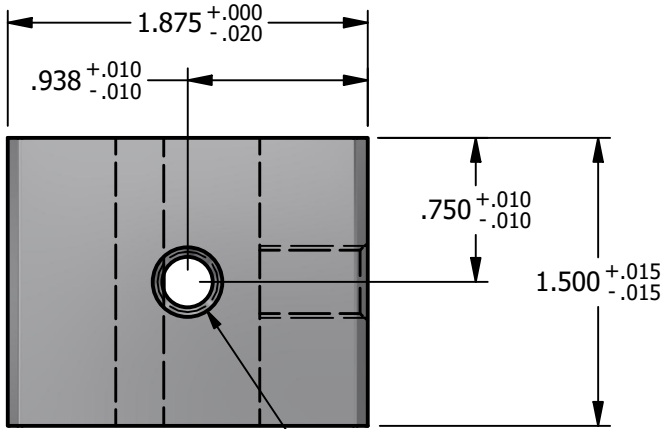


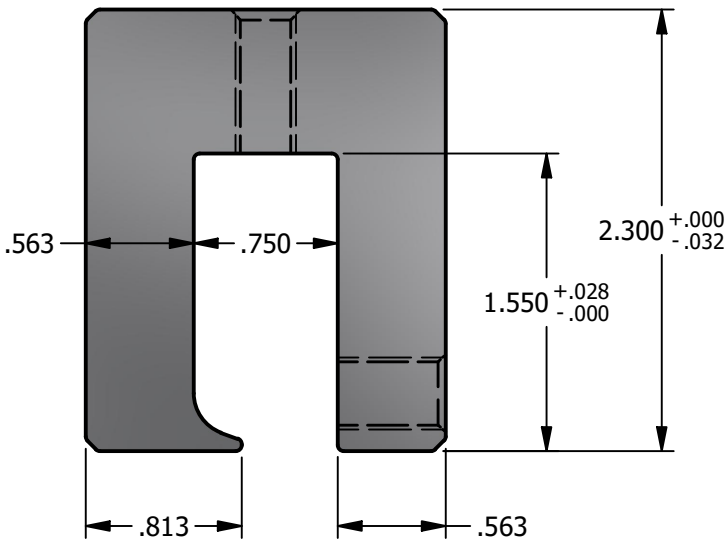
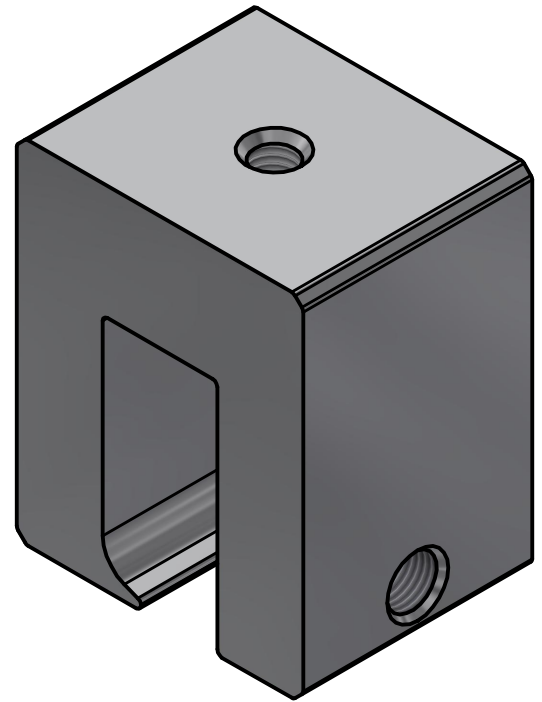
\*\*\* SCI PRODUCT CUT SHEET \*\*\*

REV-001 APPROVED FOR PRODUCTION 1/18/25



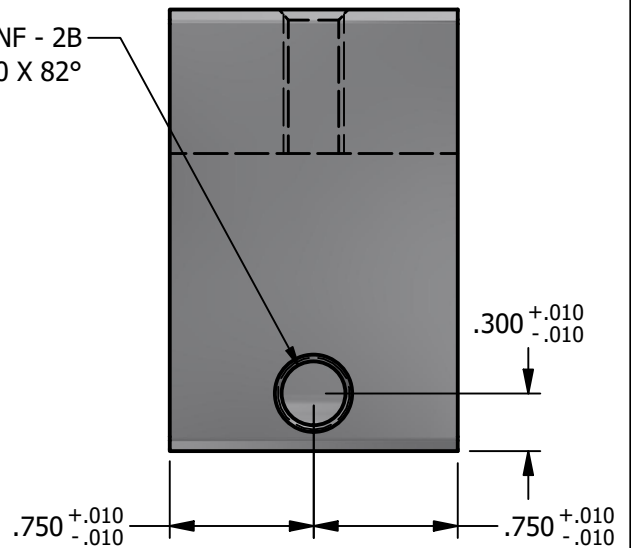
**TOP VIEW**

M8x1.25 - 6H  
 ✓  $\phi$ .360 X 82°



**FRONT VIEW**

3/8-24 UNF - 2B  
 ✓  $\phi$ .400 X 82°



**RIGHT VIEW**

**NOTES:**

1. FOR CLARITY THIS DRAWING IS NOT TO SCALE.
2. CONTACT THE MANUFACTURER FOR RECOMMENDED LAYOUTS, SPACING AND ADDITIONAL DETAILS.
3. INSTALLATION MUST BE COMPLETED WITH THE MANUFACTURERS WRITTEN SPECIFICATIONS AND INSTALLATION INSTRUCTIONS.
4. THESE DRAWINGS ARE SUBJECT TO CHANGE WITHOUT NOTICE.



**SOLAR CONNECTIONS INTERNATIONAL**

**THE FUTURE OF SOLAR ATTACHMENTS**

4800 METALMASTER WAY - MCHENRY, IL 60050

PHONE: 800.815.7652 WEBSITE: WWW.SOLARCONNECTIONS.COM  
 FAX: 815.455.4367 E-MAIL: INFO@SOLARCONNECTIONS.COM

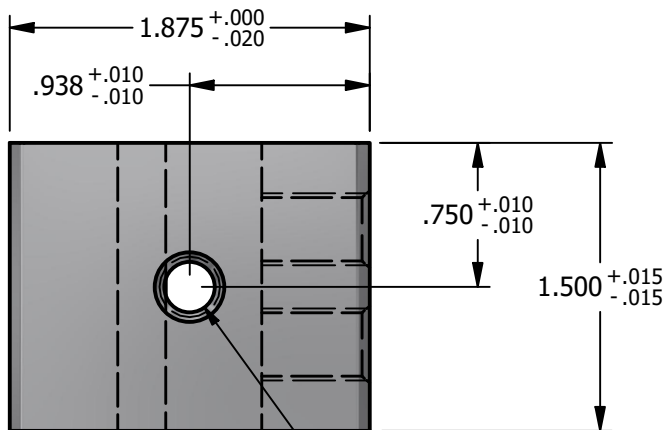
**8801-601 PV CUBE KLOC-1SS | DIE: 8801**

DRAWN BY:	rhoeffleur
DATE:	1/18/2025
SCALE:	N.T.S.
MATERIAL:	Aluminum 6061

THE INFORMATION HEREIN IS CONFIDENTIAL AND PROPRIETARY AND IS NOT TO BE DISCLOSED OR DELIVERED TO THIRD PARTIES WITHOUT THE PRIOR WRITTEN CONSENT OF SOLAR CONNECTIONS INTERNATIONAL, INC.

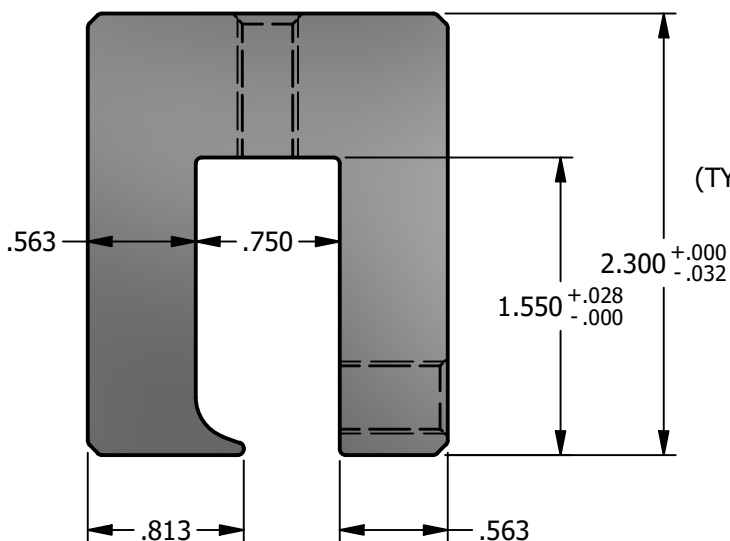
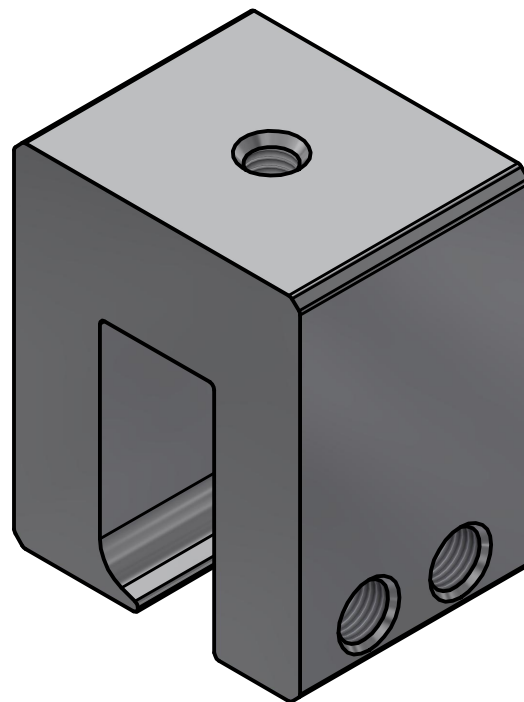
**\*\*\* SCI PRODUCT CUT SHEET \*\*\***

REV-001	APPROVED FOR PRODUCTION 1/18/25
---------	---------------------------------



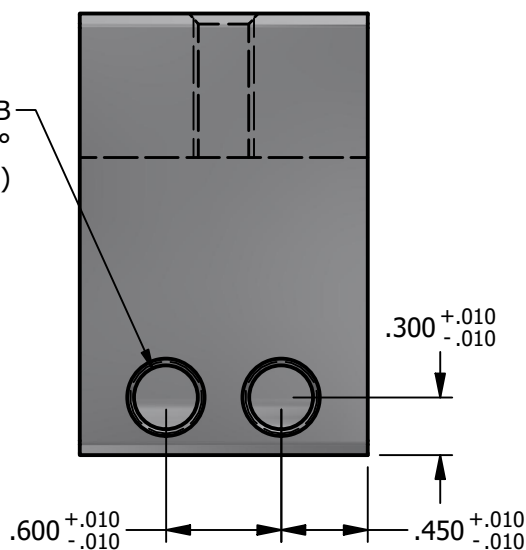
**TOP VIEW**

M8x1.25 - 6H  
 ✓  $\phi$ .360 X 82°



**FRONT VIEW**

3/8-24 UNF - 2B  
 ✓  $\phi$ .400 X 82°  
 (TYP. AT 2 LOCATIONS)



**RIGHT VIEW**

**NOTES:**

- FOR CLARITY THIS DRAWING IS NOT TO SCALE.
- CONTACT THE MANUFACTURER FOR RECOMMENDED LAYOUTS, SPACING AND ADDITIONAL DETAILS.
- INSTALLATION MUST BE COMPLETED WITH THE MANUFACTURERS WRITTEN SPECIFICATIONS AND INSTALLATION INSTRUCTIONS.
- THESE DRAWINGS ARE SUBJECT TO CHANGE WITHOUT NOTICE.



**SOLAR CONNECTIONS INTERNATIONAL**

**THE FUTURE OF SOLAR ATTACHMENTS**

4800 METALMASTER WAY - MCHENRY, IL 60050

PHONE: 800.815.7652 WEBSITE: WWW.SOLARCONNECTIONS.COM  
 FAX: 815.455.4367 E-MAIL: INFO@SOLARCONNECTIONS.COM

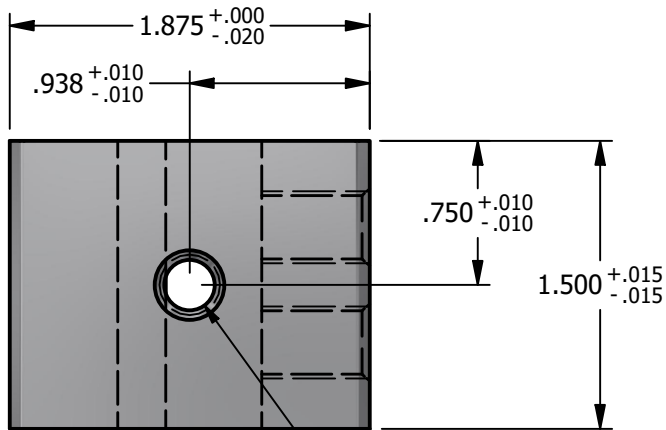
**8801-602 PV CUBE KLOC-2SS | DIE: 8801**

DRAWN BY:	rhoeffleur
DATE:	1/18/2025
SCALE:	N.T.S.
MATERIAL:	Aluminum 6061

THE INFORMATION HEREIN IS CONFIDENTIAL AND PROPRIETARY AND IS NOT TO BE DISCLOSED OR DELIVERED TO THIRD PARTIES WITHOUT THE PRIOR WRITTEN CONSENT OF SOLAR CONNECTIONS INTERNATIONAL, INC.

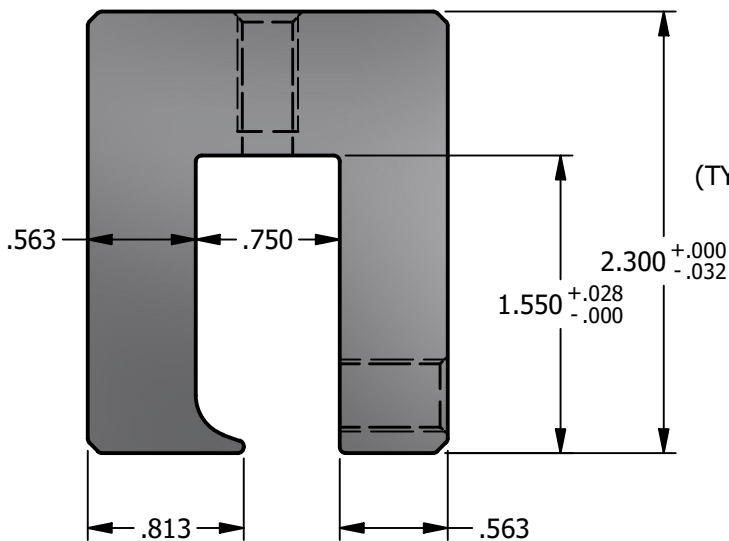
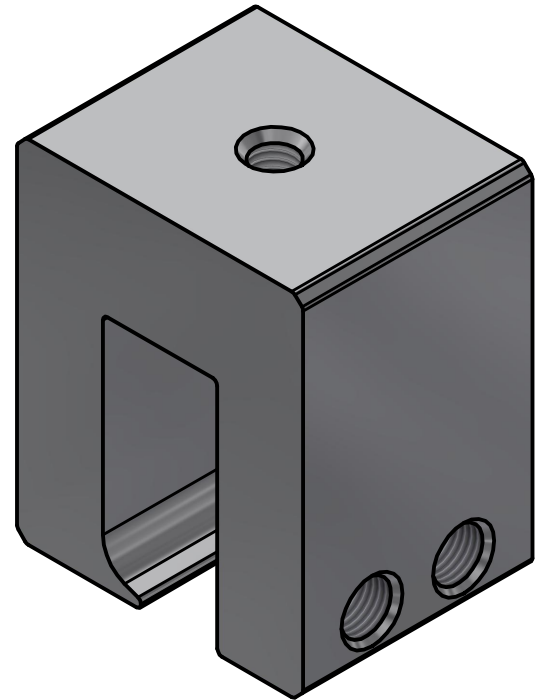
# \*\*\* SCI PRODUCT CUT SHEET \*\*\*

REV-001 APPROVED FOR PRODUCTION 1/18/25



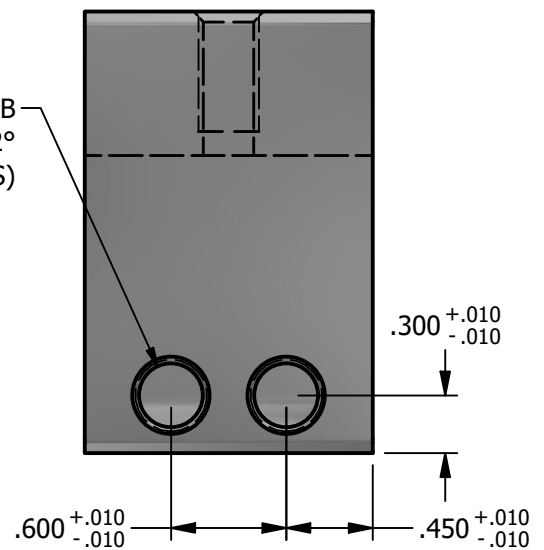
**TOP VIEW**

M8x1.25 - 6H  $\nabla$  .625  
 $\surd$   $\varnothing$ .360 X 82°



**FRONT VIEW**

3/8-24 UNF - 2B  
 $\surd$   $\varnothing$ .400 X 82°  
 (TYP. AT 2 LOCATIONS)



**RIGHT VIEW**

**NOTES:**

1. FOR CLARITY THIS DRAWING IS NOT TO SCALE.
2. CONTACT THE MANUFACTURER FOR RECOMMENDED LAYOUTS, SPACING AND ADDITIONAL DETAILS.
3. INSTALLATION MUST BE COMPLETED WITH THE MANUFACTURERS WRITTEN SPECIFICATIONS AND INSTALLATION INSTRUCTIONS.
4. THESE DRAWINGS ARE SUBJECT TO CHANGE WITHOUT NOTICE.



**SOLAR CONNECTIONS INTERNATIONAL**

**THE FUTURE OF SOLAR ATTACHMENTS**

4800 METALMASTER WAY - MCHENRY, IL 60050

PHONE: 800.815.7652 WEBSITE: WWW.SOLARCONNECTIONS.COM  
 FAX: 815.455.4367 E-MAIL: INFO@SOLARCONNECTIONS.COM

8801-602-SCI PV CUBE KLOC-2SS-SCI | DIE: 8801

DRAWN BY:	rhoeffleur
DATE:	1/18/2025
SCALE:	N.T.S.
MATERIAL:	Aluminum 6061

THE INFORMATION HEREIN IS CONFIDENTIAL AND PROPRIETARY AND IS NOT TO BE DISCLOSED OR DELIVERED TO THIRD PARTIES WITHOUT THE PRIOR WRITTEN CONSENT OF SOLAR CONNECTIONS INTERNATIONAL, INC.