



The Solar Connection Kit is the industry's most innovative, solar panel mounting system. With its UL 1703 & UL 2703 listings, it is designed with the capabilities to attach to virtually any solar panel frame, using our state of the art GroundBonding Technology, which creates a conductive bond from panel to panel without extra tools, parts or components. Each solar kit utilizes the cable management disc that allows for cables to be top loaded and secured, making cable management clean and simple. PushLock Technology secures the cable management disc to the standing seam base clamp without any extra fasteners, nuts or bolts. The Solar Connection Kit is compatible with the industries most robust metal roofing attachment solution product lines from Solar Connections International shown below, that can attach to virtually any metal roofing panel profile while providing unparalleled strength and attachment. Offering ease of installation with the use of the PV Cube Power Clamp shown below, the patented Silver Bullet™ set screws are specifically designed to not penetrate or pierce your seam, or mar your panel finish.

UNIVERSAL ONE PIECE DESIGN

Simplifies installation and considerably reduces your labor and installation costs.

KNURLED EDGES

Provides additional grip to easily hand tighten while installing modules.

LARGE MOUNTING AREA

Provides for increased holding power with large surface area for panel support.

TOP LOADING CABLE MANAGEMENT

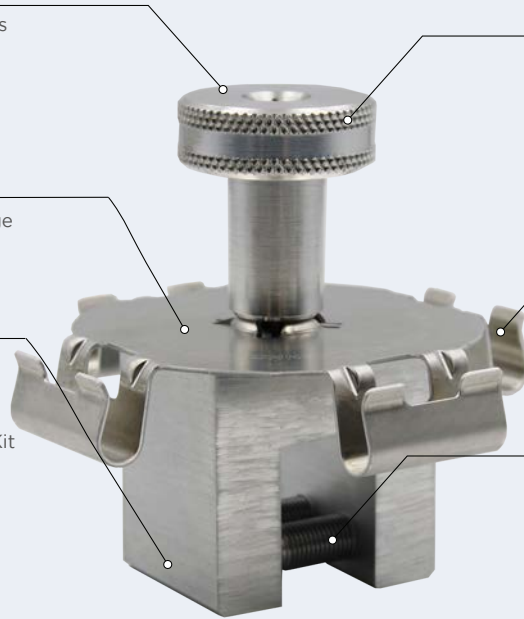
Simplifies and organizes your cable installation.
Crimp or zip tie to secure.
Coined edges reduce wear and tear on cable jacket.
Fits a variety of cable sizes.

PV CUBE POWER CLAMP

Robust design with incredible strength & versatility.
Competitively priced.
Designed for use with our Solar Connections Kit
Available with 1, 2, or 3 Stainless Steel Silver Bullet™ Set Screw configuration.
Our patented design will not penetrate your panel seam or mar your panel finish.

SILVER BULLET™ SET SCREWS

Our patented stainless steel Silver Bullet™ Set Screw is specifically designed to not penetrate or pierce your roof panel seam, nor mar your panel finish.



METAL ROOF ATTACHMENT SOLUTIONS AVAILABLE

*M8 HEX HEAD BOLTS INCLUDED



POWERMOUNT ADJUST



POWERMOUNT PMR1-S



POWERMOUNT 9000-S



PV CUBE



Z-BRACKET