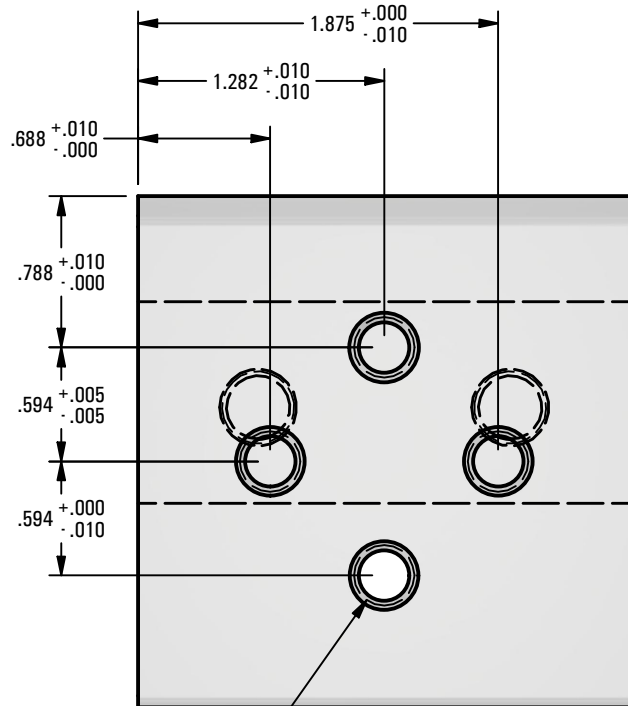
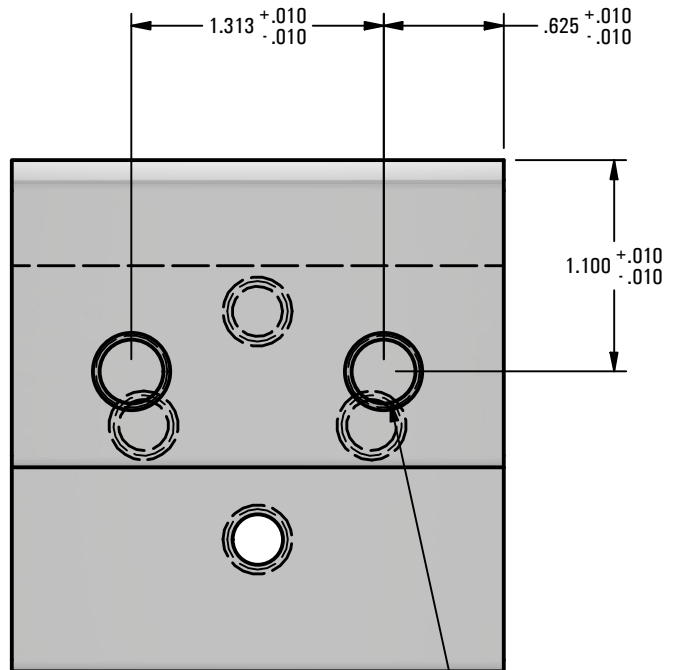


*** SCI PRODUCT CUT SHEET ***

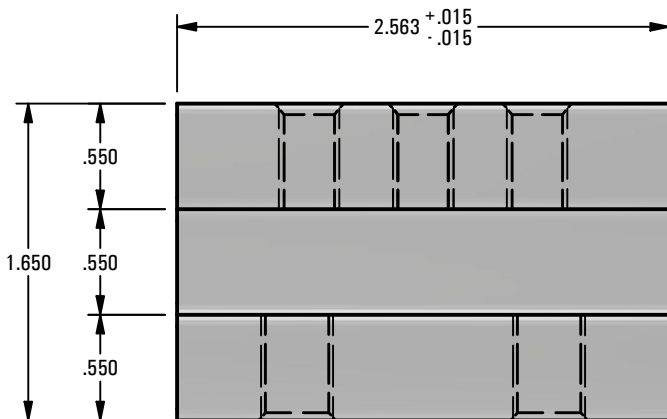
| | |
|---------|--------------------------------------|
| REV-001 | APPROVED FOR PRODUCTION 1/18/25 |
| REV-002 | SCI BUSINESS ADDRESS CHANGE 12/08/25 |



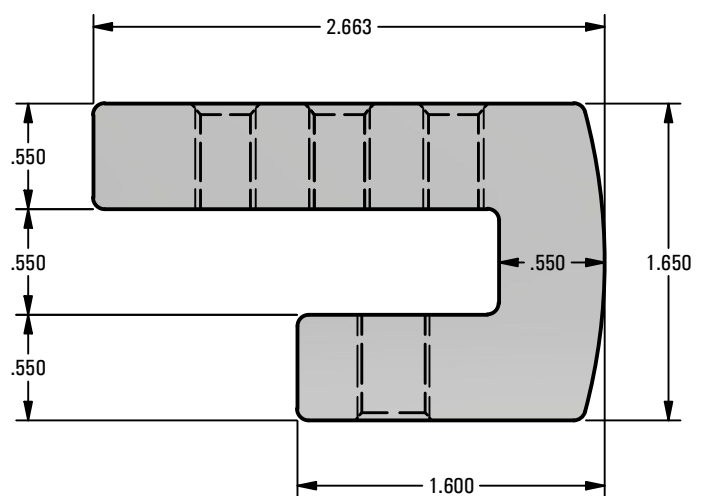
TOP VIEW
M8x1.25 - 6H
 \sphericalangle ϕ .360 X 82°
(TYP. @ 4 LOCATIONS)



BOTTOM VIEW
3/8-24 UNF - 2B
 \sphericalangle ϕ .400 X 82°
(TYP. @ 2 LOCATIONS)



FRONT VIEW



RIGHT VIEW

NOTES:

1. FOR CLARITY THIS DRAWING IS NOT TO SCALE.
2. CONTACT THE MANUFACTURER FOR RECOMMENDED LAYOUTS, SPACING AND ADDITIONAL DETAILS.
3. INSTALLATION MUST BE COMPLETED WITH THE MANUFACTURERS WRITTEN SPECIFICATIONS AND INSTALLATION INSTRUCTIONS.
4. THESE DRAWINGS ARE SUBJECT TO CHANGE WITHOUT NOTICE.

*** PATENT PENDING ***



220 EXCHANGE DRIVE, UNIT B, CRYSTAL LAKE, IL 60014
PHONE: 800.815.7652 WEBSITE: WWW.SOLARCONNECTIONS.COM
FAX: 815.455.4367 E-MAIL: INFO@SOLARCONNECTIONS.COM

I-CLAMP360-CP | DIE: 12266

| | |
|-----------|------------------|
| DRAWN BY: | rhoeffleur |
| DATE: | 12/08/2025 |
| SCALE: | N.T.S. |
| MATERIAL: | 6061-T6 Aluminum |

THE INFORMATION HEREIN IS CONFIDENTIAL AND PROPRIETARY AND IS NOT TO BE DISCLOSED OR DELIVERED TO THIRD PARTIES WITHOUT THE PRIOR WRITTEN CONSENT OF SOLAR CONNECTIONS INTERNATIONAL, INC.