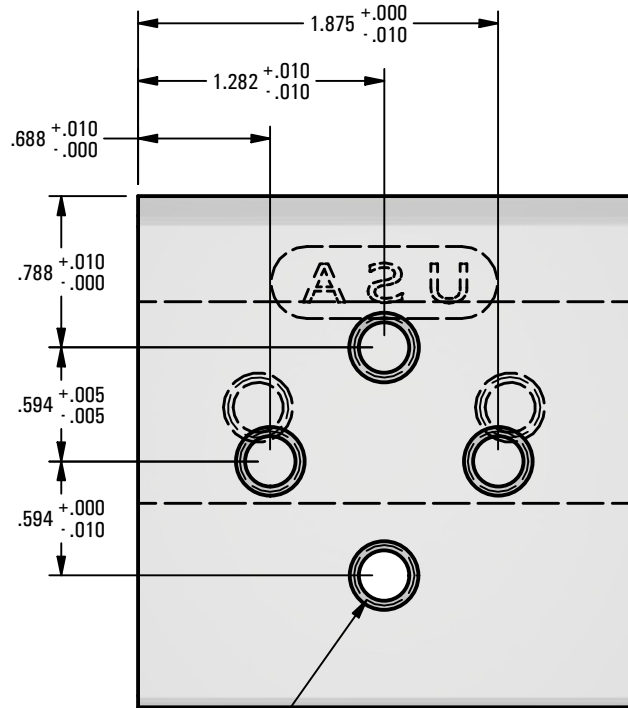


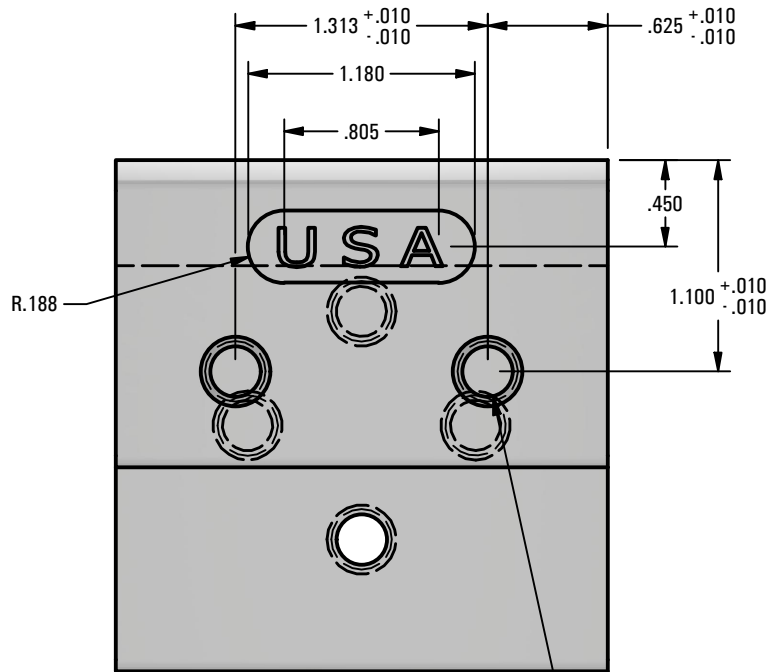
*** SCI PRODUCT CUT SHEET ***

REV-001	APPROVED FOR PRODUCTION 1/18/25
REV-002	SCI BUSINESS ADDRESS CHANGE 12/08/25



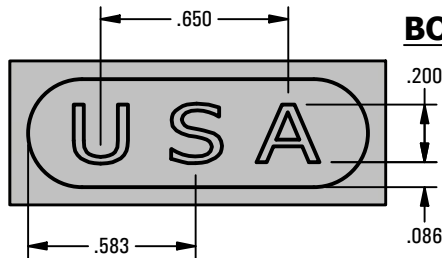
M8x1.25 - 6H
 \sphericalangle \varnothing .360 X 82°
 (TYP. @ 4 LOCATIONS)

TOP VIEW

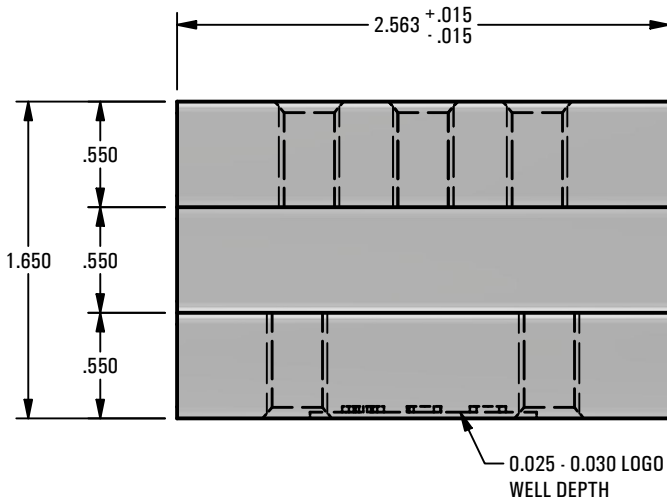


M8x1.25 - 6H
 \sphericalangle \varnothing .360 X 82°
 (TYP. @ 2 LOCATIONS)

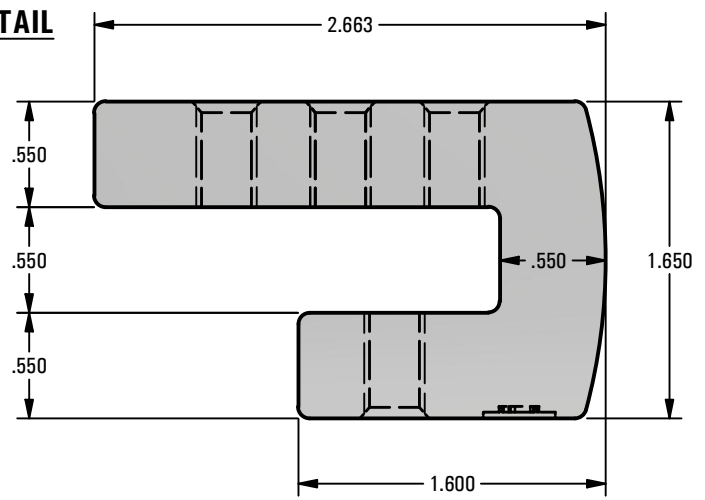
BOTTOM VIEW



LOGO DETAIL



FRONT VIEW



RIGHT VIEW

NOTES:

1. FOR CLARITY THIS DRAWING IS NOT TO SCALE.
2. CONTACT THE MANUFACTURER FOR RECOMMENDED LAYOUTS, SPACING AND ADDITIONAL DETAILS.
3. INSTALLATION MUST BE COMPLETED WITH THE MANUFACTURERS WRITTEN SPECIFICATIONS AND INSTALLATION INSTRUCTIONS.
4. THESE DRAWINGS ARE SUBJECT TO CHANGE WITHOUT NOTICE.

*** PATENT PENDING ***



220 EXCHANGE DRIVE, UNIT B, CRYSTAL LAKE, IL 60014
 PHONE: 800.815.7652 WEBSITE: WWW.SOLARCONNECTIONS.COM
 FAX: 815.455.4367 E-MAIL: INFO@SOLARCONNECTIONS.COM

I-CLAMP360-M8-USA | DIE: 12266

DRAWN BY:	rhoeffleur
DATE:	12/08/2025
SCALE:	N.T.S.
MATERIAL:	6061-T6 Aluminum

THE INFORMATION HEREIN IS CONFIDENTIAL AND PROPRIETARY AND IS NOT TO BE DISCLOSED OR DELIVERED TO THIRD PARTIES WITHOUT THE PRIOR WRITTEN CONSENT OF SOLAR CONNECTIONS INTERNATIONAL, INC.