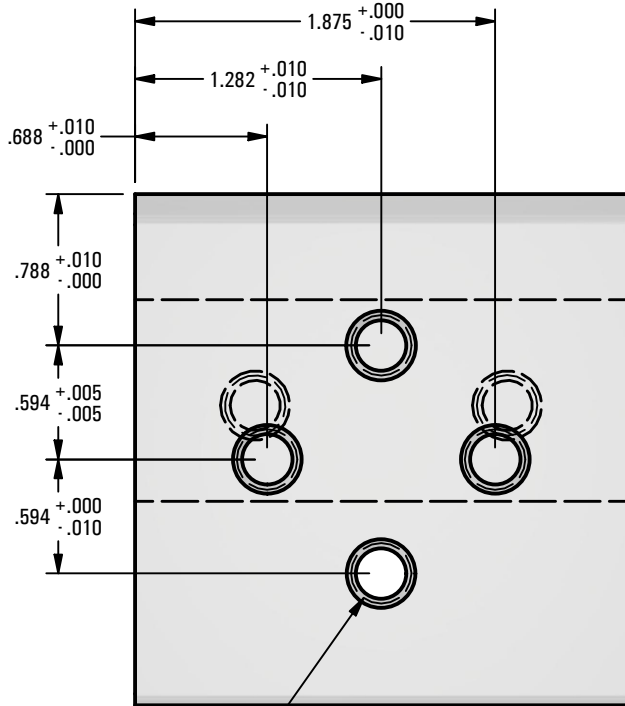
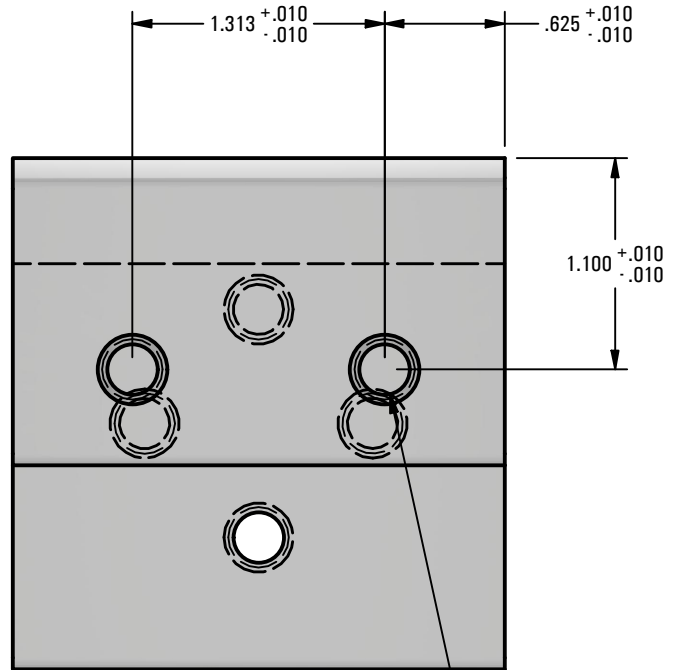


*** SCI PRODUCT CUT SHEET ***

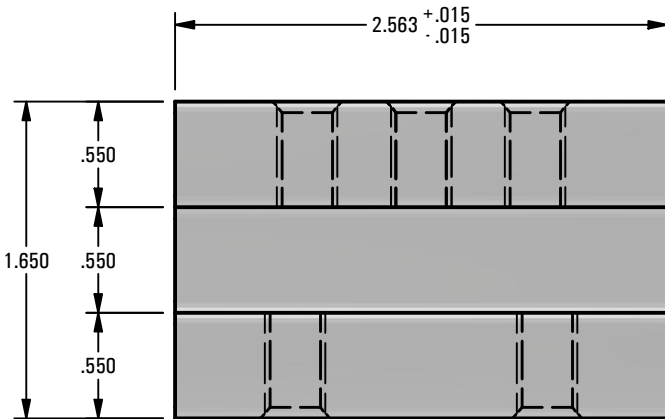
REV-001	APPROVED FOR PRODUCTION 1/18/25
REV-002	SCI BUSINESS ADDRESS CHANGE 12/08/25



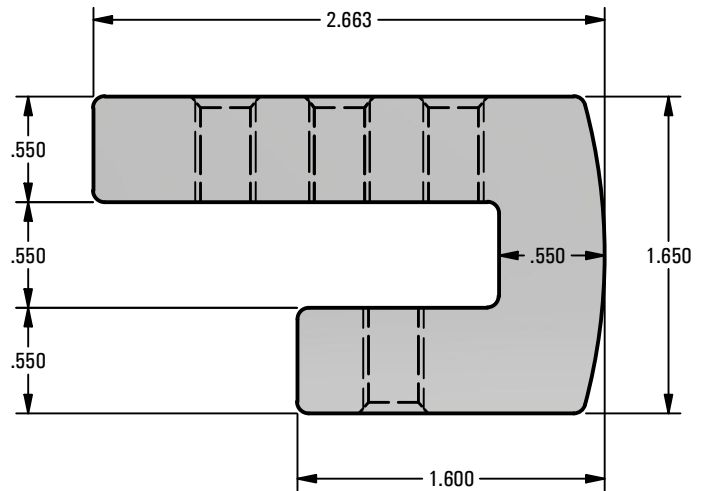
M8x1.25 - 6H
 $\sphericalangle \phi .360 \times 82^\circ$
 (TYP. @ 4 LOCATIONS)
TOP VIEW



M8x1.25 - 6H
 $\sphericalangle \phi .360 \times 82^\circ$
 (TYP. @ 2 LOCATIONS)
BOTTOM VIEW



FRONT VIEW



RIGHT VIEW

NOTES:

- FOR CLARITY THIS DRAWING IS NOT TO SCALE.
- CONTACT THE MANUFACTURER FOR RECOMMENDED LAYOUTS, SPACING AND ADDITIONAL DETAILS.
- INSTALLATION MUST BE COMPLETED WITH THE MANUFACTURERS WRITTEN SPECIFICATIONS AND INSTALLATION INSTRUCTIONS.
- THESE DRAWINGS ARE SUBJECT TO CHANGE WITHOUT NOTICE.

*** PATENT PENDING ***



220 EXCHANGE DRIVE, UNIT B, CRYSTAL LAKE, IL 60014
 PHONE: 800.815.7652 WEBSITE: WWW.SOLARCONNECTIONS.COM
 FAX: 815.455.4367 E-MAIL: INFO@SOLARCONNECTIONS.COM

I-CLAMP360-M8 | DIE: 12266

DRAWN BY:	rhoeffleur
DATE:	12/08/2025
SCALE:	N.T.S.
MATERIAL:	6061-T6 Aluminum

THE INFORMATION HEREIN IS CONFIDENTIAL AND PROPRIETARY AND IS NOT TO BE DISCLOSED OR DELIVERED TO THIRD PARTIES WITHOUT THE PRIOR WRITTEN CONSENT OF SOLAR CONNECTIONS INTERNATIONAL, INC.