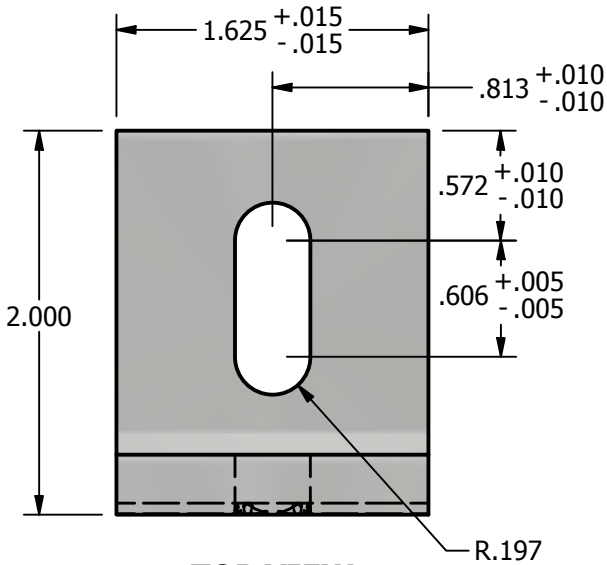
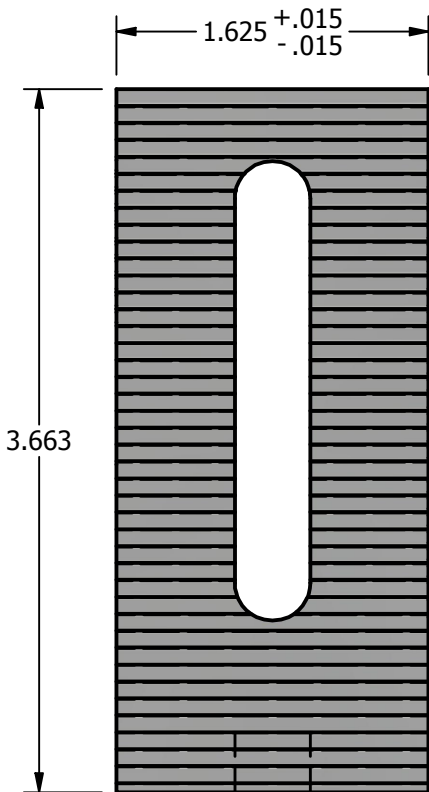
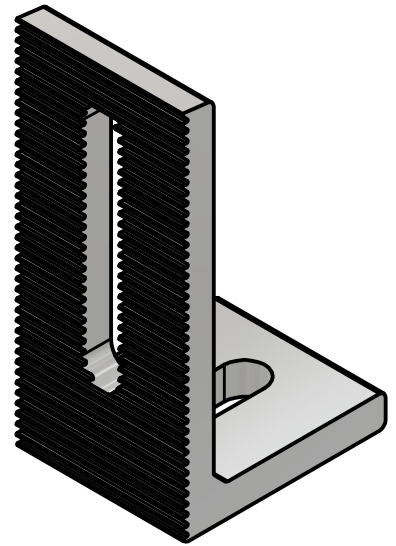


# \*\*\* SCI PRODUCT CUT SHEET \*\*\*

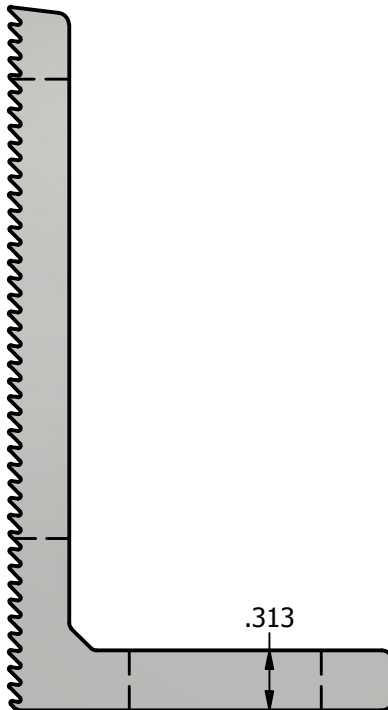
REV-001	APPROVED FOR PRODUCTION 1/18/25
REV-002	SCI BUSINESS ADDRESS CHANGE 12/08/25



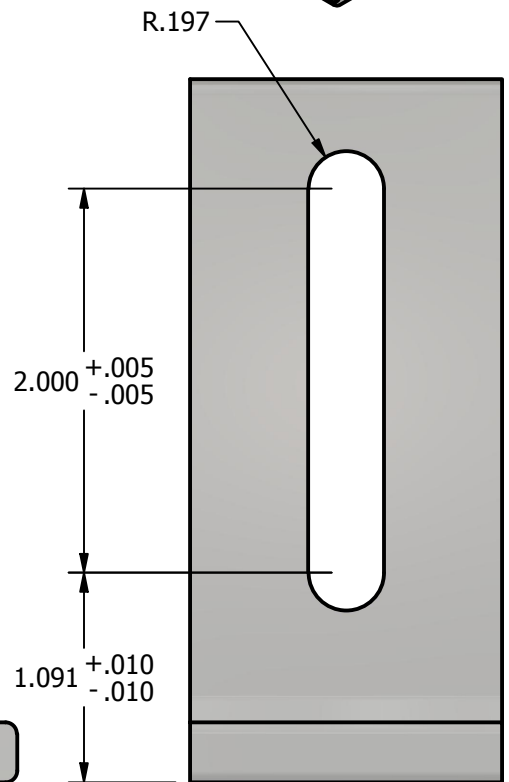
**TOP VIEW**



**FRONT VIEW**



**RIGHT VIEW**



**BACK VIEW**

**NOTES:**

- FOR CLARITY THIS DRAWING IS NOT TO SCALE.
- CONTACT THE MANUFACTURER FOR RECOMMENDED LAYOUTS, SPACING AND ADDITIONAL DETAILS.
- INSTALLATION MUST BE COMPLETED WITH THE MANUFACTURERS WRITTEN SPECIFICATIONS AND INSTALLATION INSTRUCTIONS.
- THESE DRAWINGS ARE SUBJECT TO CHANGE WITHOUT NOTICE.



220 EXCHANGE DRIVE, UNIT B, CRYSTAL LAKE, IL 60014  
 PHONE: 800.815.7652 WEBSITE: WWW.SOLARCONNECTIONS.COM  
 FAX: 815.455.4367 E-MAIL: INFO@SOLARCONNECTIONS.COM

**LF00T-SLT | DIE: 10144**

DRAWN BY:	awarczak
DATE:	12/08/2025
SCALE:	N.T.S.
MATERIAL:	6061-T6 Aluminum

THE INFORMATION HEREIN IS CONFIDENTIAL AND PROPRIETARY AND IS NOT TO BE DISCLOSED OR DELIVERED TO THIRD PARTIES WITHOUT THE PRIOR WRITTEN CONSENT OF SOLAR CONNECTIONS INTERNATIONAL, INC.