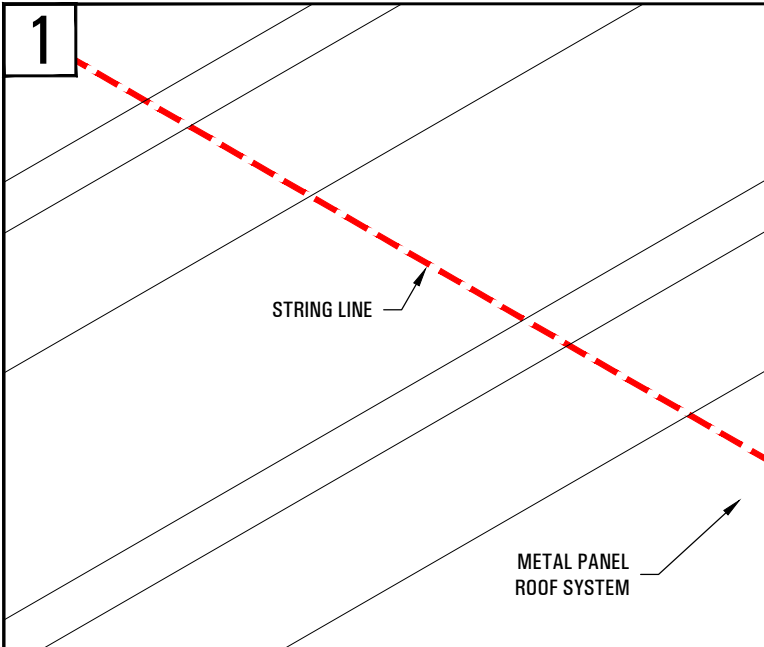
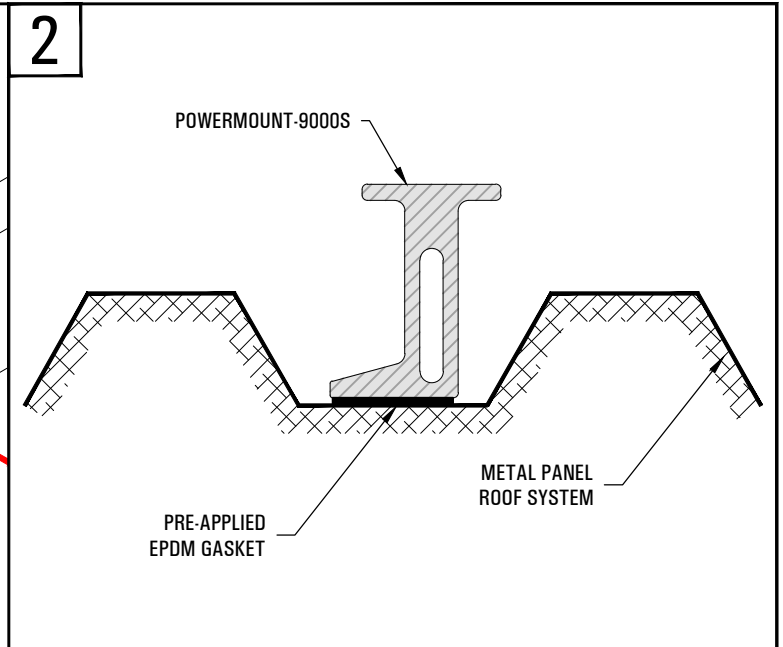


# \*\*\* POWERMOUNT-9000S INSTALLATION INSTRUCTIONS \*\*\*



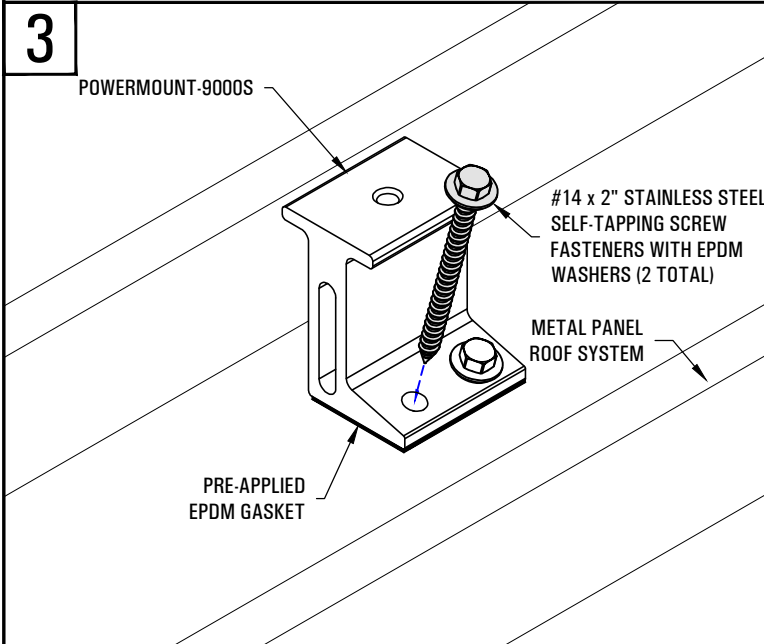
**1**

MEASURE THE DISTANCE FROM EAVE TO THE FIRST ROW OF POWERMOUNTS AND USE A STRING LINE OVER THE TOP OF THE ROOF PANEL CORRUGATIONS TO ESTABLISH A STRAIGHT GUIDELINE FOR INSTALLATION.



**2**

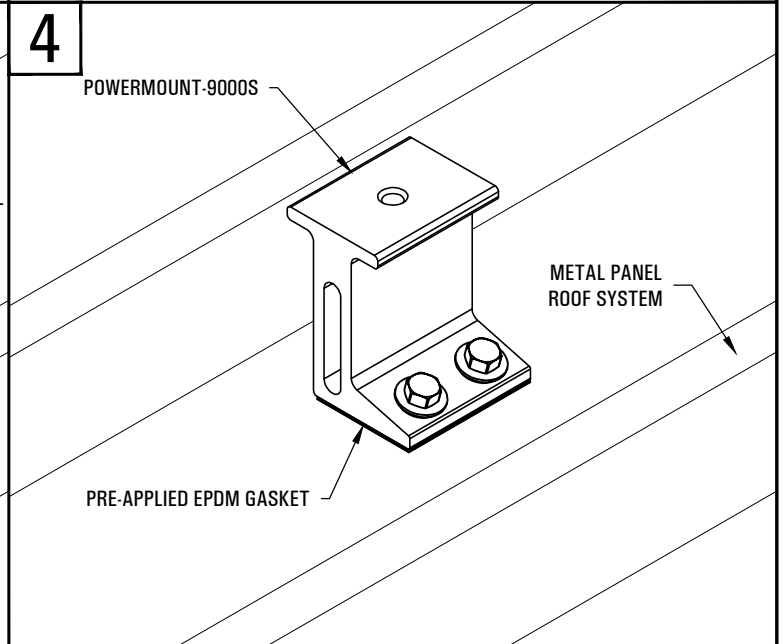
USE A RAG TO WIPE AWAY ANY EXCESS DIRT AND OIL FROM THE SURFACE OF THE ROOF PANEL. THEN ALIGN THE POWERMOUNT-9000S TO THE STRING LINE AND PLACE ON THE ROOF PANEL AS SHOWN ABOVE.



**3**

SECURE THE POWERMOUNT-9000S BY SCREWING THE (2 TOTAL) SCI SUPPLIED #14 x 2" STAINLESS STEEL SELF-TAPPING SCREW FASTENERS WITH EPDM WASHERS INTO/THROUGH THE PRE-PUNCHED HOLES, THROUGH THE EPDM GASKET, THROUGH THE ROOF PANEL, AND INTO/THROUGH THE ROOF DECK. MAKE SURE TO NOT OVER-TIGHTEN AS YOU RISK STRIPPING THE FASTENER. IF A FASTENER IS STRIPPED, REMOVE AND REPLACE WITH A SIMILAR FASTENER, BUT OF A LARGER DIAMETER.

*NOTE: REFER TO THE FASTENER MANUFACTURERS' RECOMMENDATIONS FOR TORQUE AND WASHER SEATING REQUIREMENTS BEFORE INSTALLATION.*



**4**

VERIFY THE POWERMOUNT-9000S IS SECURE, STRAIGHT, AND LEVEL. MEASURE AND MARK THE LOCATION OF THE NEXT POWERMOUNT-9000S IN THE SERIES. THEN REPEAT STEPS 2-4 FOR THE REMAINING POWERMOUNT-9000S IN THE SERIES. BE SURE TO FOLLOW THE ARCHITECT'S AND/OR ENGINEER'S REQUIRED SPACING AND/OR LAYOUT, INCLUDING THEIR ADJUSTMENTS FOR FIELD CONDITIONS, IF ANY ARE REQUIRED. A RECOMMENDED LAYOUT CAN BE FURNISHED BY SOLAR CONNECTIONS INTERNATIONAL INC. UPON WRITTEN REQUEST, ONLY.

*NOTE: IF THE POWERMOUNT IS INSTALLED ON NON-SMOOTH SURFACE, THE ENTIRE PERIMETER AROUND THE POWERMOUNT-9000S MUST BE CAULKED TO ENSURE A PROPER WATERTIGHT DETAIL.*

## POWERMOUNT-9000S INSTALLATION



220 EXCHANGE DRIVE, UNIT B, CRYSTAL LAKE, IL 60014

PHONE: 800.815.7652 WEBSITE: WWW.SOLARCONNECTIONS.COM  
 FAX: 815.455.4367 E-MAIL: INFO@SOLARCONNECTIONS.COM

### DISCLAIMER

THE INFORMATION HEREIN IS CONFIDENTIAL AND PROPRIETARY AND IS NOT TO BE DISCLOSED OR DELIVERED TO THIRD PARTIES WITHOUT THE PRIOR WRITTEN CONSENT OF SOLAR CONNECTIONS INTERNATIONAL, INC.

SOLAR CONNECTIONS INTERNATIONAL, INC. DOES NOT WARRANT THE INSTALLATION IF ITS PRODUCTS. PRODUCT PERFORMANCE IS DEPENDENT ON THE INSTALLERS STRICT ADHERENCE TO THESE INSTALLATION INSTRUCTIONS.

SOLAR CONNECTIONS INTERNATIONAL, INC. IS NOT A LICENSED ARCHITECT OR ENGINEER, THEREFORE WE STRONGLY RECOMMEND THAT AN ARCHITECT AND/OR STRUCTURAL ENGINEER PROPERLY LICENSED IN THE CITY AND STATE WHERE THE PROJECT IS LOCATED, REVIEW THE CONTEMPLATED LAYOUT TO ENSURE THAT THE BUILDING STRUCTURE CAN WITHSTAND THE PROJECTED SNOW AND/OR WIND LOAD. SOLAR CONNECTIONS INTERNATIONAL, INC. ASSUMES NO LIABILITY THEREFORE.

DRAWN BY:	RJH
DATE:	12/8/25
SCALE:	N.T.S.

1