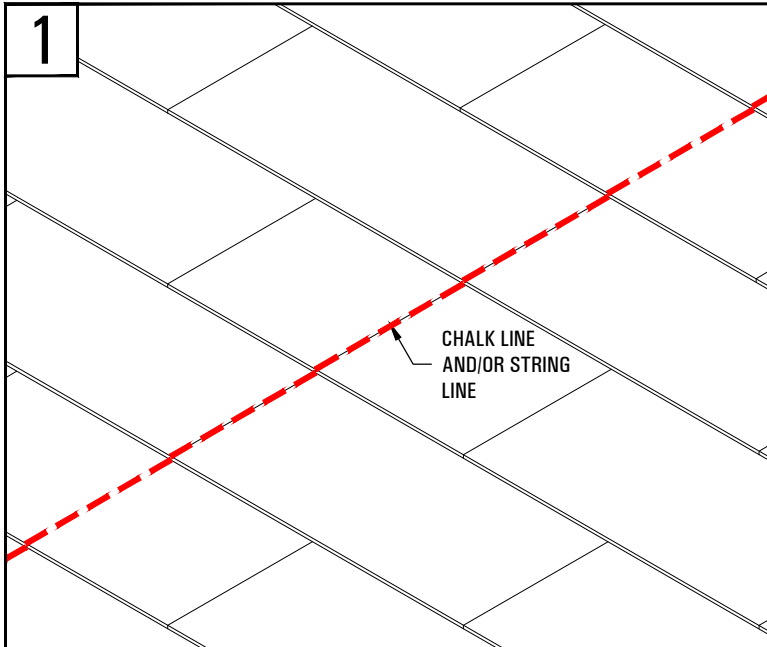
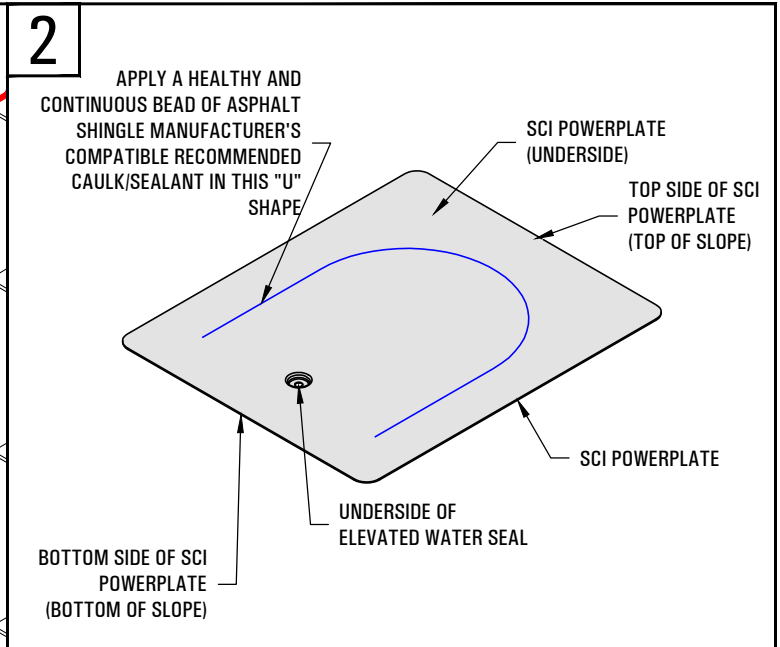


*** ASPHALT OR COMPOSITE SHINGLE INSTALLATION INSTRUCTIONS ***

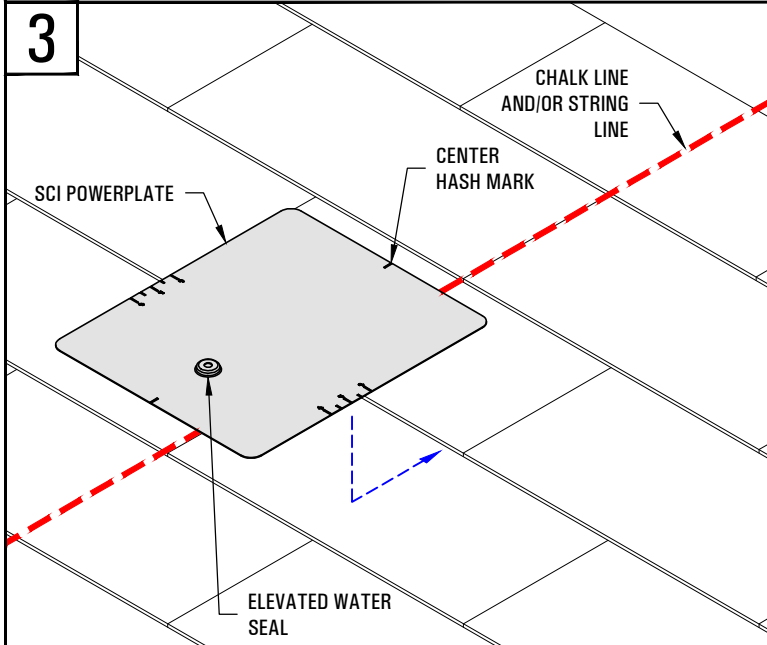


MEASURE AND LOCATE THE RAFTERS AND USE A CHALK LINE AND/OR STRING LINE OVER THE ASPHALT SHINGLES TO MARK EACH RAFTER LOCATION.

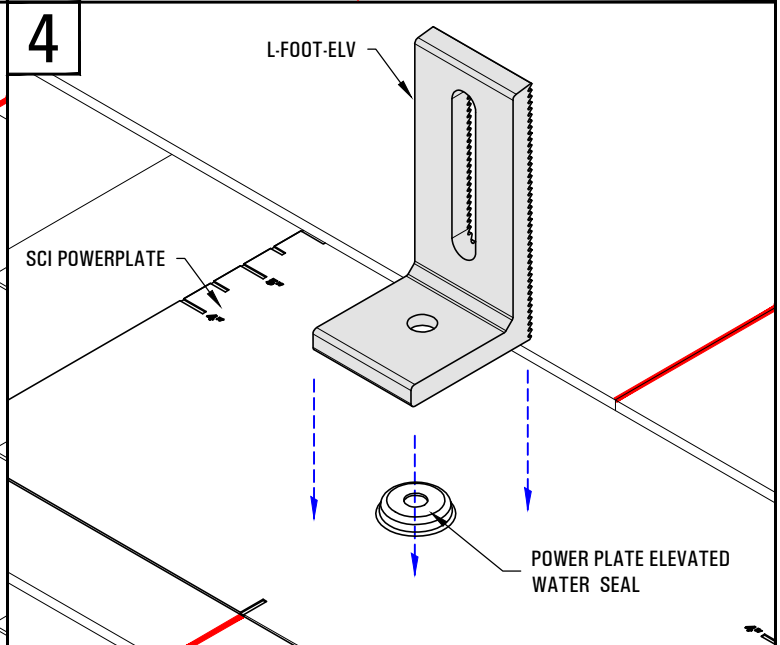


USE A RAG TO WIPE AWAY ANY EXCESS DIRT AND OIL FROM THE BOTTOM SURFACE OF THE POWERPLATE, THEN USE THE ASPHALT SHINGLES MANUFACTURER'S COMPATIBLE RECOMMENDED CAULK/SEALANT TO A HEALTHY BEAD TO CREATE A "U" SHAPE (AS SHOWN ABOVE) ON THE BOTTOM SURFACE OF THE PLATE ITSELF.

NOTE: THE CREST OF THE "U" SHOULD BE TOWARDS THE TOP EDGE OF THE POWERPLATE.
NOTE: IF THE POWERPLATE IS INSTALLED ON A NON-SMOOTH OR NON-LEVEL SURFACE, ADDITIONAL SEALANT SHOULD BE INSTALLED AS NECESSARY, TO FURTHER ENSURE A PROPER WATERTIGHT DETAIL.



MEASURE AND LOCATE THE DISTANCE FROM THE EAVE TO THE FIRST ROW OF POWERPLATES AND BRUSH AWAY LOOSE DEBRIS / PARTICLES ON THE SHINGLE ROOF SURFACE. ALIGN THE CENTER HASH MARKS OF THE POWERPLATE WITH THE CHALK LINE AND / OR STRING LINE, AND PULL THE BOTTOM OF THE SHINGLES ABOVE UP, THEN SLIDE THE POWERPLATE INTO PLACE BENEATH THE LAYER OF ASPHALT SHINGLES AND ALIGN THE HASH MARKS ALONG THE SIDE TO CREATE THE DESIRED EXPOSURE. ONCE LINED UP CORRECTLY, FIRMLY PRESS DOWN COMPRESSING THE SEALANT BELOW, CREATING A FLAT POWERPLATE SURFACE IN CONTACT WITH THE SHINGLE ROOF SYSTEM BELOW.



USE A RAG TO WIPE AWAY ANY EXCESS DIRT AND OIL FROM THE SURFACE OF THE POWERPLATE. THEN CENTER AND PLACE THE UNIVERSAL L-FOOT ON THE EXPOSED SURFACE OF THE POWERPLATE, OVER THE ELEVATED WATER SEAL.

POWERPLATE AND L-FOOT-ELV INSTALLATION



220 EXCHANGE DRIVE, UNIT B, CRYSTAL LAKE, IL 60014

PHONE: 800.815.7652 WEBSITE: WWW.SOLARCONNECTIONS.COM
 FAX: 815.455.4367 E-MAIL: INFO@SOLARCONNECTIONS.COM

DISCLAIMER

THE INFORMATION HEREIN IS CONFIDENTIAL AND PROPRIETARY AND IS NOT TO BE DISCLOSED OR DELIVERED TO THIRD PARTIES WITHOUT THE PRIOR WRITTEN CONSENT OF SOLAR CONNECTIONS INTERNATIONAL, INC.

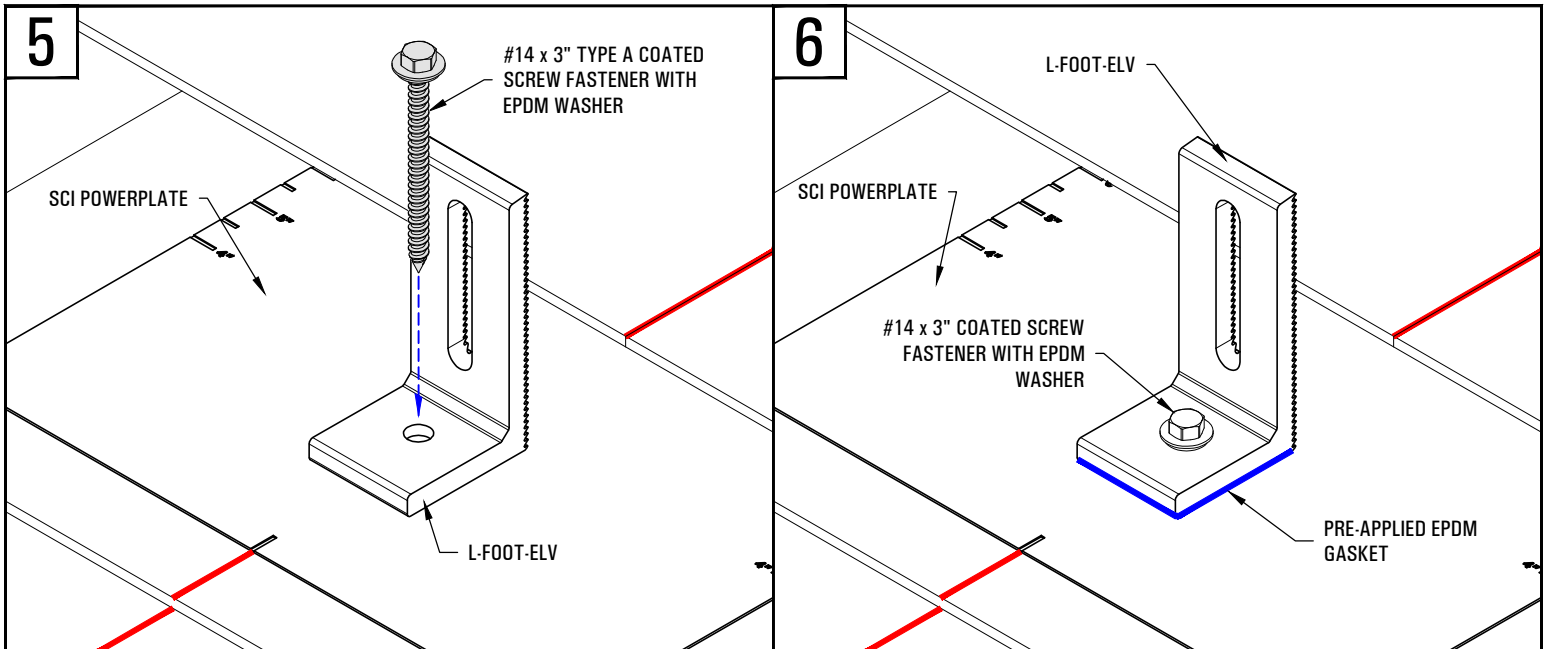
SOLAR CONNECTIONS INTERNATIONAL, INC. DOES NOT WARRANT THE INSTALLATION IF ITS PRODUCTS. PRODUCT PERFORMANCE IS DEPENDENT ON THE INSTALLERS STRICT ADHERENCE TO THESE INSTALLATION INSTRUCTIONS.

SOLAR CONNECTIONS INTERNATIONAL, INC. IS NOT A LICENSED ARCHITECT OR ENGINEER, THEREFORE WE STRONGLY RECOMMEND THAT AN ARCHITECT AND/OR STRUCTURAL ENGINEER PROPERLY LICENSED IN THE CITY AND STATE WHERE THE PROJECT IS LOCATED, REVIEW THE CONTEMPLATED LAYOUT TO ENSURE THAT THE BUILDING STRUCTURE CAN WITHSTAND THE PROJECTED SNOW AND/OR WIND LOAD. SOLAR CONNECTIONS INTERNATIONAL, INC. ASSUMES NO LIABILITY THEREFORE.

DRAWN BY: RJH
 DATE: 12/8/25
 SCALE: N.T.S.

1

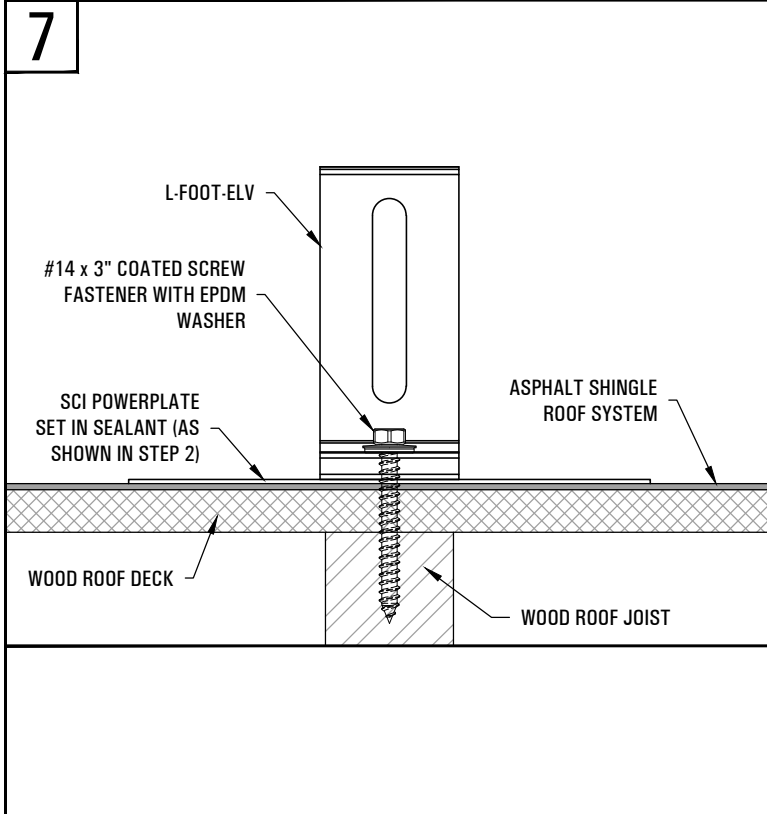
*** ASPHALT OR COMPOSITE SHINGLE INSTALLATION INSTRUCTIONS ***



SECURE THE UNIVERSAL L-FOOT-ELV BY SCREWING THE SELF-TAPPING #14 x 3" TYPE A COATED SCREW FASTENERS WITH EPDM WASHERS INTO/THROUGH THE PRE-PUNCHED HOLE, THROUGH THE EPDM GASKET, THROUGH THE POWERPLATE, THROUGH THE ASPHALT SHINGLE OR COMPOSITE SHINGLE ROOFING AND UNDERLAYMENT, THROUGH THE ROOF DECK AND INTO THE WOOD FRAMING MEMBERS BELOW. MAKE SURE TO NOT OVER-TIGHTEN AS YOU RISK STRIPPING THE FASTENER. IF A FASTENER IS STRIPPED, REMOVE AND REPLACE WITH A SIMILAR FASTENER, BUT OF A LARGER DIAMETER.

NOTE: REFER TO THE FASTENER MANUFACTURERS' RECOMMENDATIONS FOR TORQUE AND WASHER SEATING REQUIREMENTS BEFORE INSTALLATION.

VERIFY THAT THE L-FOOT-ELV IS SECURE, STRAIGHT AND LEVEL. MEASURE AND MARK THE LOCATION ON THE NEXT POWERPLATES AND L-FOOT-ELV, THEN REPEAT STEPS 2-6 FOR THE REMAINING POWERPLATES AND L-FOOT-ELV. BE SURE TO FOLLOW THE ARCHITECT'S AND/OR ENGINEER'S REQUIRED SPACING AND/OR LAYOUT, INCLUDING THEIR ADJUSTMENTS FOR FIELD CONDITIONS, IF ANY ARE REQUIRED. A RECOMMENDED LAYOUT CAN BE FURNISHED BY SOLAR CONNECTIONS INTERNATIONAL, INC. UPON WRITTEN REQUEST, ONLY.



POWERPLATE AND L-FOOT-ELV INSTALLATION CON'T.



220 EXCHANGE DRIVE, UNIT B, CRYSTAL LAKE, IL 60014

PHONE: 800.815.7652 WEBSITE: WWW.SOLARCONNECTIONS.COM
 FAX: 815.455.4367 E-MAIL: INFO@SOLARCONNECTIONS.COM

DISCLAIMER

THE INFORMATION HEREIN IS CONFIDENTIAL AND PROPRIETARY AND IS NOT TO BE DISCLOSED OR DELIVERED TO THIRD PARTIES WITHOUT THE PRIOR WRITTEN CONSENT OF SOLAR CONNECTIONS INTERNATIONAL, INC.

SOLAR CONNECTIONS INTERNATIONAL, INC. DOES NOT WARRANT THE INSTALLATION IF ITS PRODUCTS. PRODUCT PERFORMANCE IS DEPENDENT ON THE INSTALLERS STRICT ADHERENCE TO THESE INSTALLATION INSTRUCTIONS.

SOLAR CONNECTIONS INTERNATIONAL, INC. IS NOT A LICENSED ARCHITECT OR ENGINEER, THEREFORE WE STRONGLY RECOMMEND THAT AN ARCHITECT AND/OR STRUCTURAL ENGINEER PROPERLY LICENSED IN THE CITY AND STATE WHERE THE PROJECT IS LOCATED, REVIEW THE CONTEMPLATED LAYOUT TO ENSURE THAT THE BUILDING STRUCTURE CAN WITHSTAND THE PROJECTED SNOW AND/OR WIND LOAD. SOLAR CONNECTIONS INTERNATIONAL, INC. ASSUMES NO LIABILITY THEREFORE.

DRAWN BY: RJH
 DATE: 12/8/25
 SCALE: N.T.S.

2