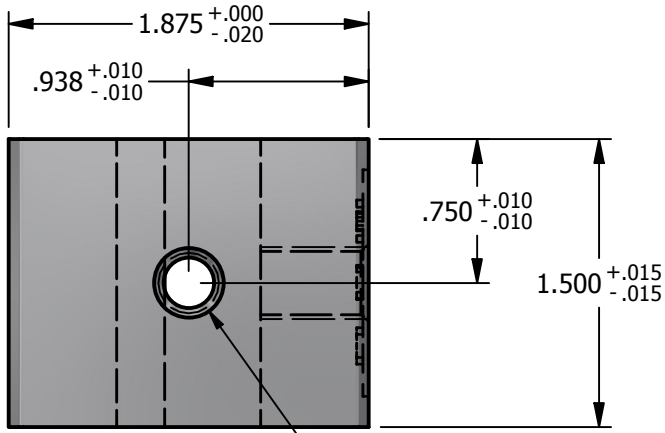


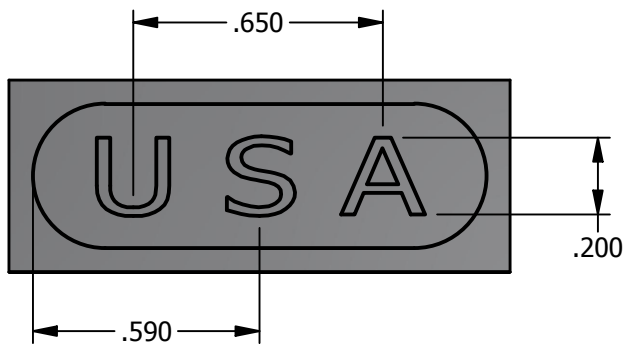
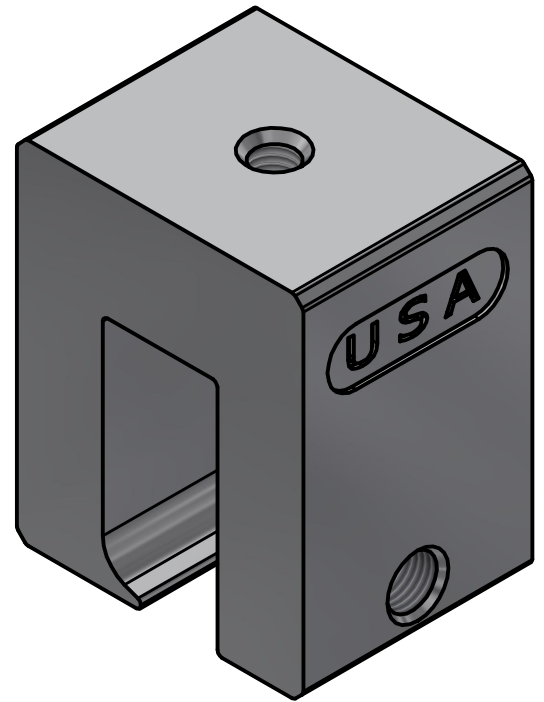
*** SCI PRODUCT CUT SHEET ***

REV-001	APPROVED FOR PRODUCTION 1/18/25
REV-002	SCI BUSINESS ADDRESS CHANGE 12/08/25

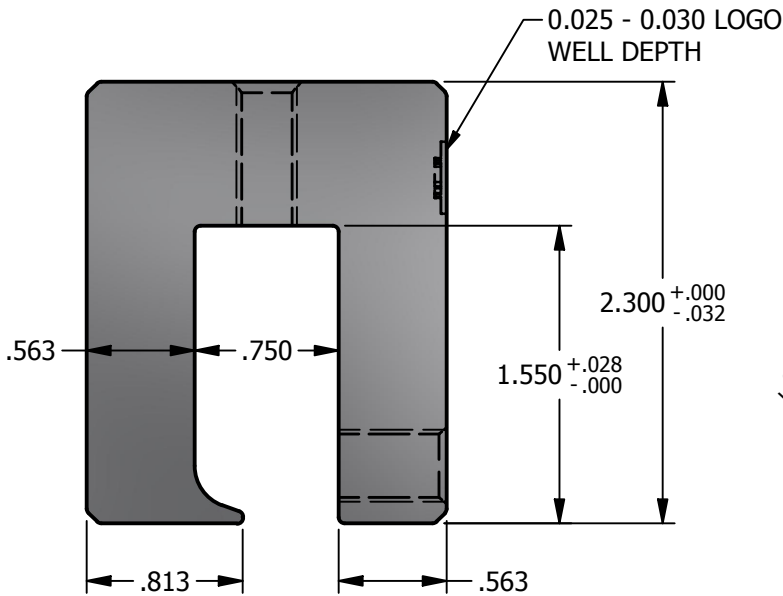


TOP VIEW

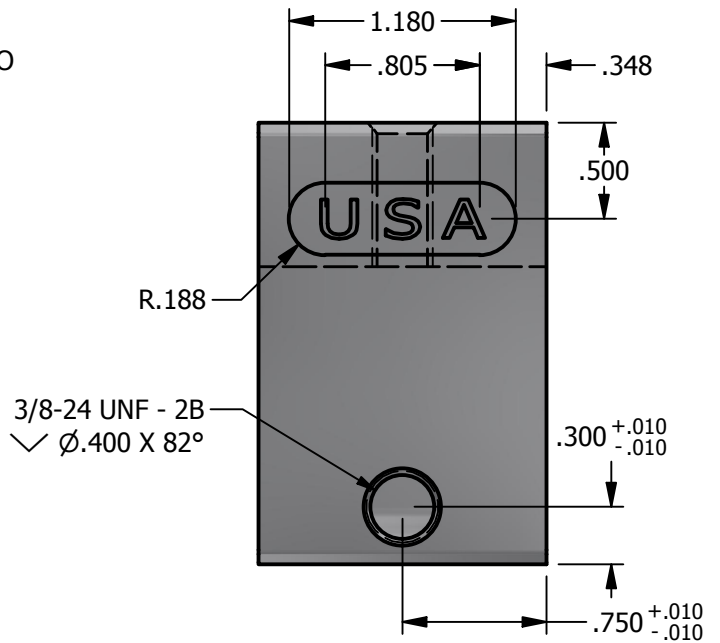
M8x1.25 - 6H
 ✓ $\phi .360 \times 82^\circ$



LOGO DETAIL



FRONT VIEW



RIGHT VIEW

NOTES:

1. FOR CLARITY THIS DRAWING IS NOT TO SCALE.
2. CONTACT THE MANUFACTURER FOR RECOMMENDED LAYOUTS, SPACING AND ADDITIONAL DETAILS.
3. INSTALLATION MUST BE COMPLETED WITH THE MANUFACTURERS WRITTEN SPECIFICATIONS AND INSTALLATION INSTRUCTIONS.
4. THESE DRAWINGS ARE SUBJECT TO CHANGE WITHOUT NOTICE.



YOUR PREMIER SOLAR ATTACHMENT SOLUTION

220 EXCHANGE DRIVE, UNIT B, CRYSTAL LAKE, IL 60014

PHONE: 800.815.7652 WEBSITE: WWW.SOLARCONNECTIONS.COM
 FAX: 815.455.4367 E-MAIL: INFO@SOLARCONNECTIONS.COM

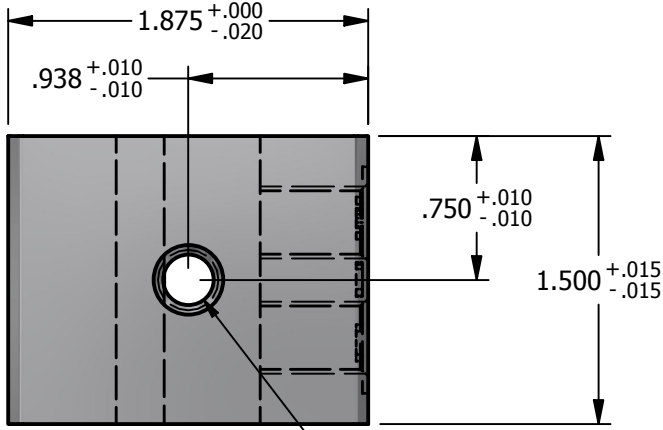
8801-601 PV CUBE KLOC-1SS-USA | DIE: 8801

DRAWN BY:	rhoeffleur
DATE:	12/08/2025
SCALE:	N.T.S.
MATERIAL:	6061-T6 Aluminum

THE INFORMATION HEREIN IS CONFIDENTIAL AND PROPRIETARY AND IS NOT TO BE DISCLOSED OR DELIVERED TO THIRD PARTIES WITHOUT THE PRIOR WRITTEN CONSENT OF SOLAR CONNECTIONS INTERNATIONAL, INC.

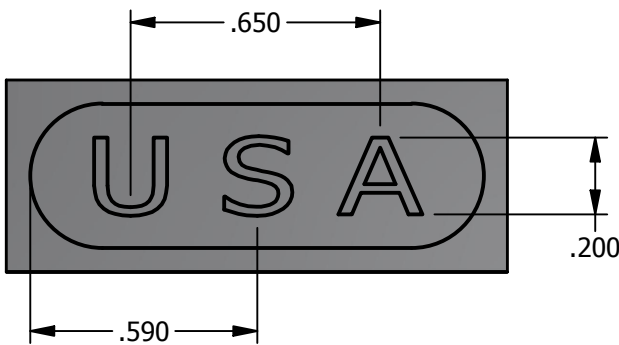
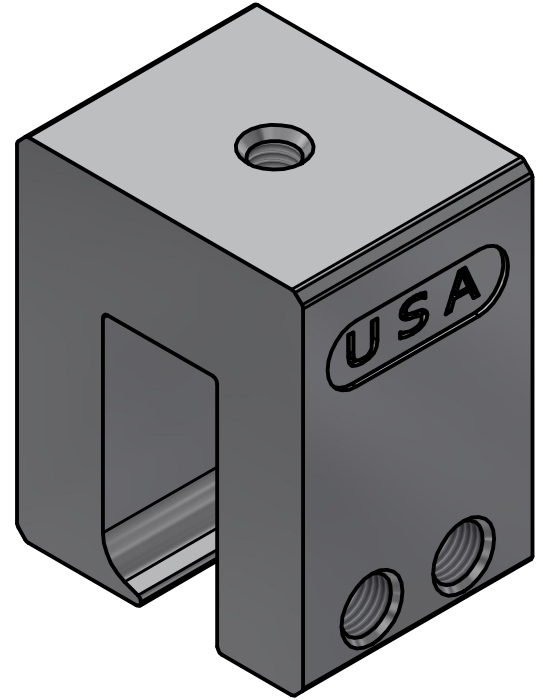
*** SCI PRODUCT CUT SHEET ***

REV-001	APPROVED FOR PRODUCTION 1/18/25
REV-002	SCI BUSINESS ADDRESS CHANGE 12/08/25

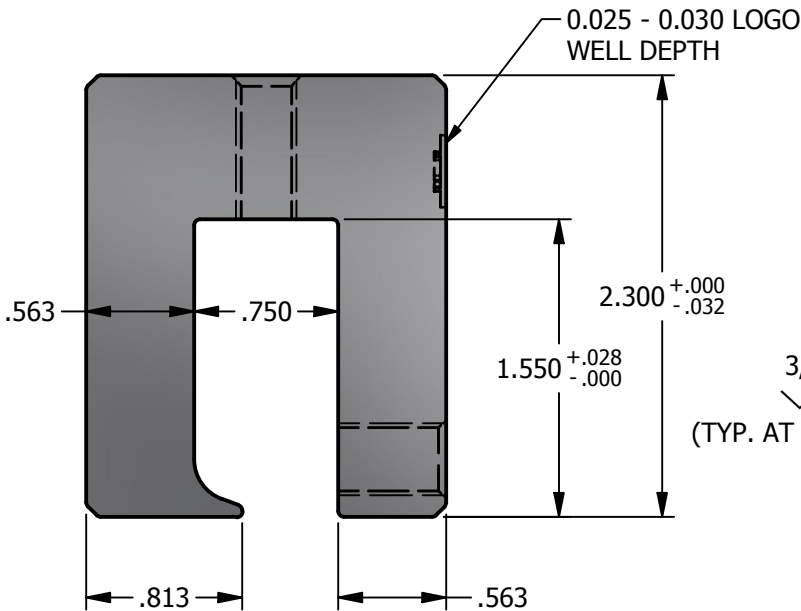


TOP VIEW

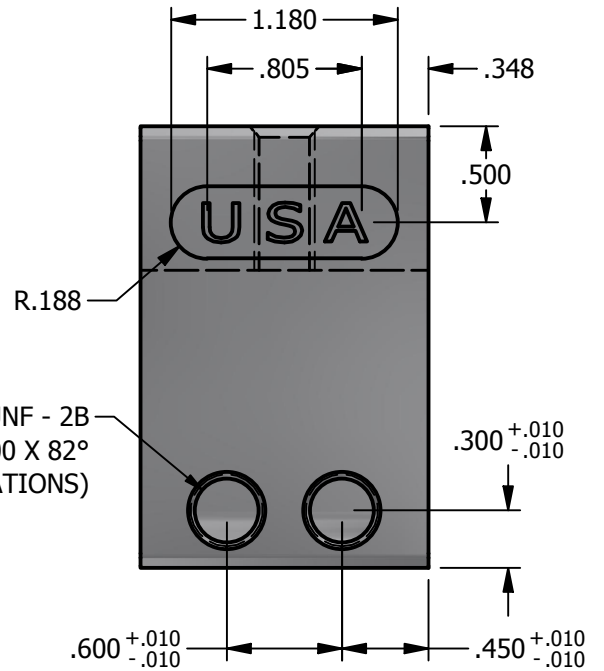
M8x1.25 - 6H
 ✓ \varnothing .360 X 82°



LOGO DETAIL



FRONT VIEW



RIGHT VIEW

3/8-24 UNF - 2B
 ✓ \varnothing .400 X 82°
 (TYP. AT 2 LOCATIONS)

NOTES:

1. FOR CLARITY THIS DRAWING IS NOT TO SCALE.
2. CONTACT THE MANUFACTURER FOR RECOMMENDED LAYOUTS, SPACING AND ADDITIONAL DETAILS.
3. INSTALLATION MUST BE COMPLETED WITH THE MANUFACTURERS WRITTEN SPECIFICATIONS AND INSTALLATION INSTRUCTIONS.
4. THESE DRAWINGS ARE SUBJECT TO CHANGE WITHOUT NOTICE.



YOUR PREMIER SOLAR ATTACHMENT SOLUTION

220 EXCHANGE DRIVE, UNIT B, CRYSTAL LAKE, IL 60014

PHONE: 800.815.7652 WEBSITE: WWW.SOLARCONNECTIONS.COM
 FAX: 815.455.4367 E-MAIL: INFO@SOLARCONNECTIONS.COM

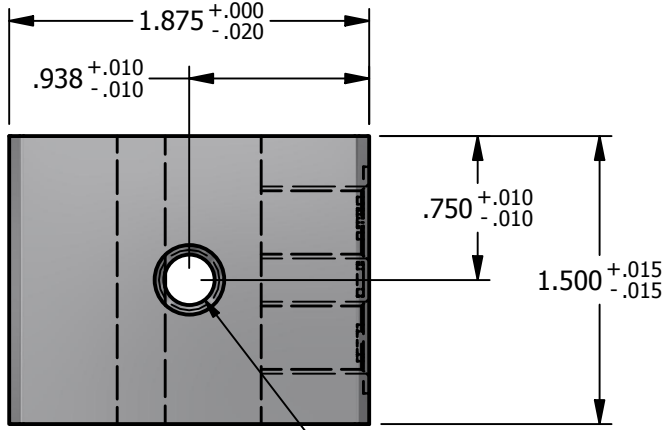
8801-602 PV CUBE KLOC-2SS-USA | DIE: 8801

DRAWN BY:	rhoeffleur
DATE:	12/08/2025
SCALE:	N.T.S.
MATERIAL:	6061-T6 Aluminum

THE INFORMATION HEREIN IS CONFIDENTIAL AND PROPRIETARY AND IS NOT TO BE DISCLOSED OR DELIVERED TO THIRD PARTIES WITHOUT THE PRIOR WRITTEN CONSENT OF SOLAR CONNECTIONS INTERNATIONAL, INC.

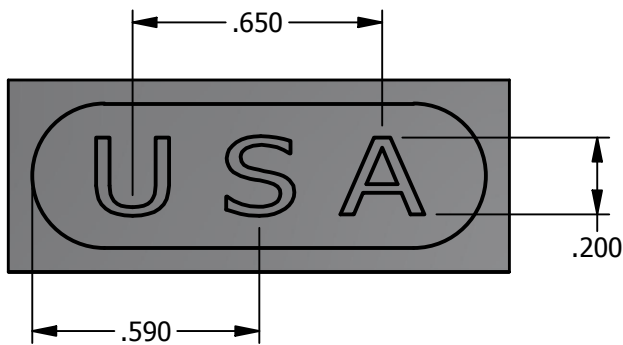
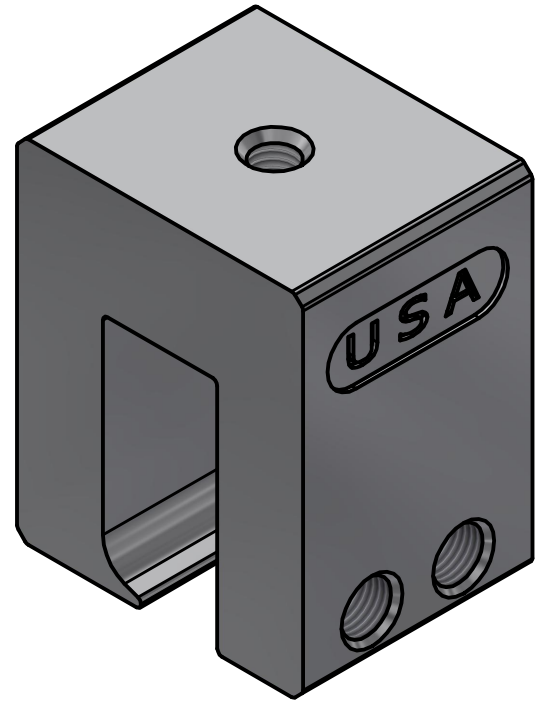
*** SCI PRODUCT CUT SHEET ***

REV-001	APPROVED FOR PRODUCTION 1/18/25
REV-002	SCI BUSINESS ADDRESS CHANGE 12/08/25

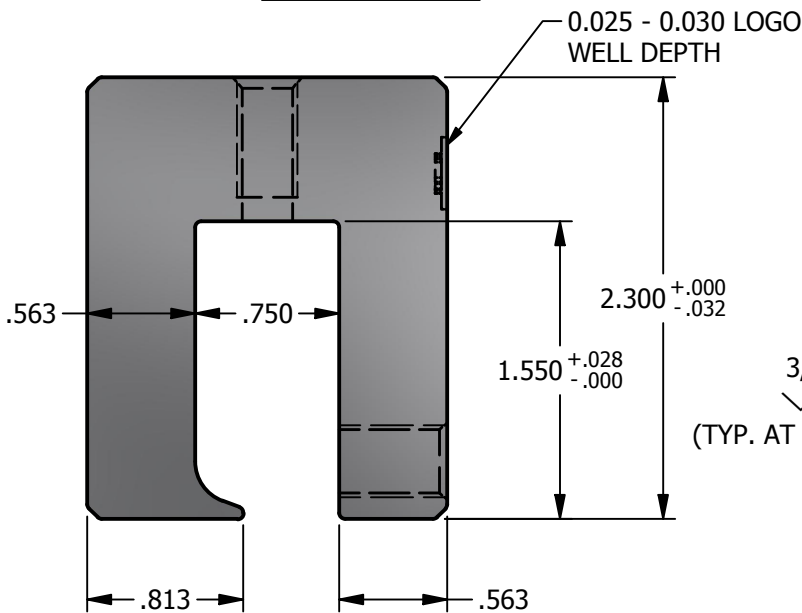


TOP VIEW

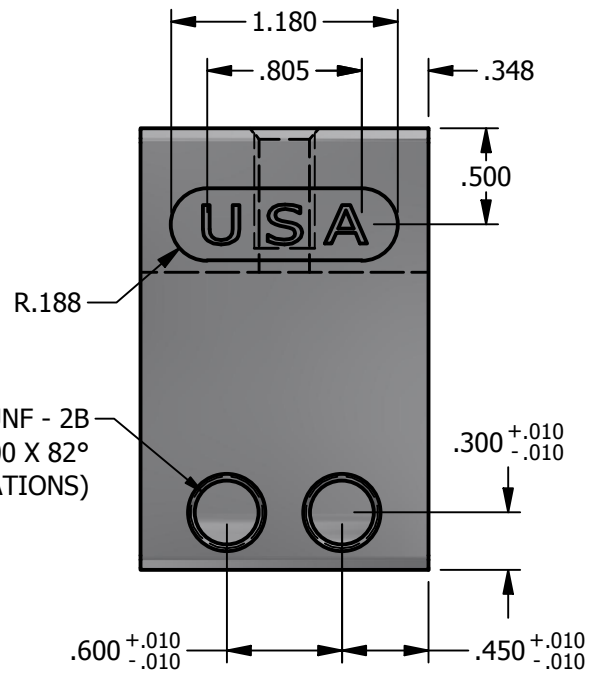
M8x1.25 - 6H ∇ .625
 ∇ \varnothing .360 X 82°



LOGO DETAIL



FRONT VIEW



RIGHT VIEW

NOTES:

1. FOR CLARITY THIS DRAWING IS NOT TO SCALE.
2. CONTACT THE MANUFACTURER FOR RECOMMENDED LAYOUTS, SPACING AND ADDITIONAL DETAILS.
3. INSTALLATION MUST BE COMPLETED WITH THE MANUFACTURERS WRITTEN SPECIFICATIONS AND INSTALLATION INSTRUCTIONS.
4. THESE DRAWINGS ARE SUBJECT TO CHANGE WITHOUT NOTICE.



YOUR PREMIER SOLAR ATTACHMENT SOLUTION

220 EXCHANGE DRIVE, UNIT B, CRYSTAL LAKE, IL 60014
 PHONE: 800.815.7652 WEBSITE: WWW.SOLARCONNECTIONS.COM
 FAX: 815.455.4367 E-MAIL: INFO@SNOGEM.COM

8801-602-SCI PV CUBE KLOC-2SS-SCI-USA | DIE: 8801

DRAWN BY:	rhoeffleur
DATE:	12/08/2025
SCALE:	N.T.S.
MATERIAL:	6061-T6 Aluminum

THE INFORMATION HEREIN IS CONFIDENTIAL AND PROPRIETARY AND IS NOT TO BE DISCLOSED OR DELIVERED TO THIRD PARTIES WITHOUT THE PRIOR WRITTEN CONSENT OF SOLAR CONNECTIONS INTERNATIONAL, INC.