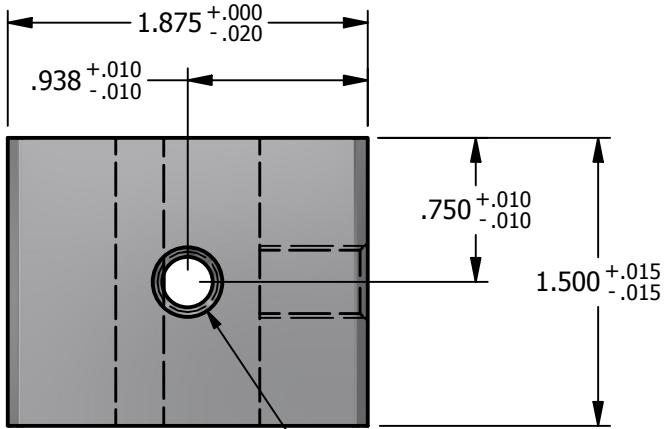


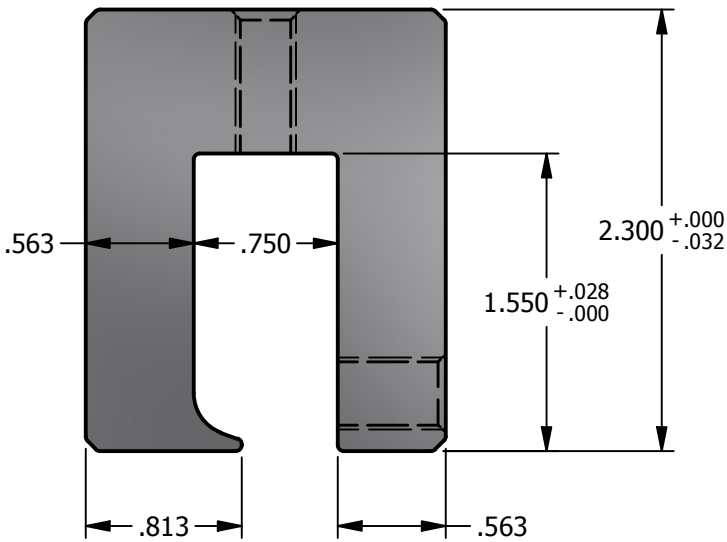
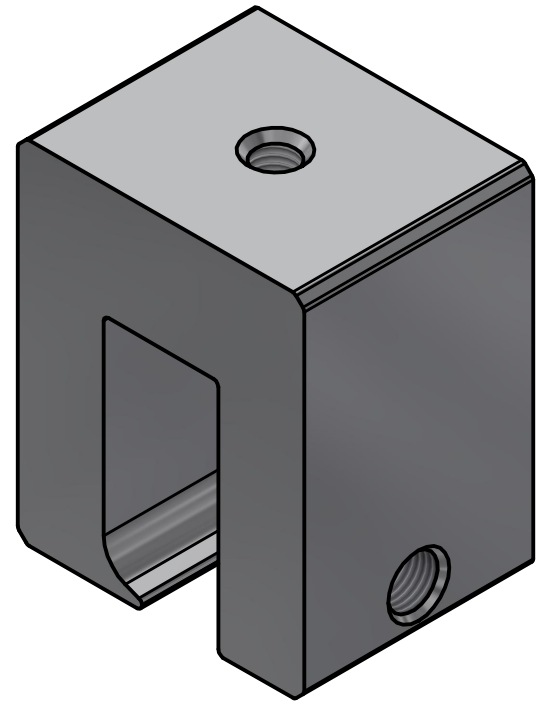
*** SCI PRODUCT CUT SHEET ***

| | |
|---------|--------------------------------------|
| REV-001 | APPROVED FOR PRODUCTION 1/18/25 |
| REV-002 | SCI BUSINESS ADDRESS CHANGE 12/08/25 |



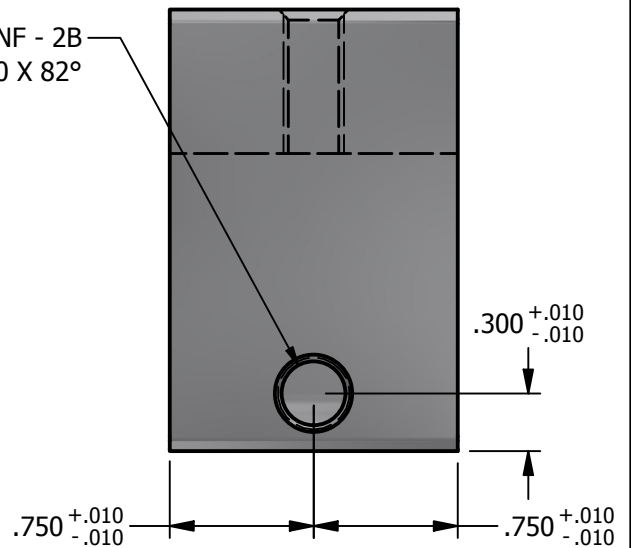
TOP VIEW

M8x1.25 - 6H
 ✓ ϕ .360 X 82°



FRONT VIEW

3/8-24 UNF - 2B
 ✓ ϕ .400 X 82°



RIGHT VIEW

NOTES:

1. FOR CLARITY THIS DRAWING IS NOT TO SCALE.
2. CONTACT THE MANUFACTURER FOR RECOMMENDED LAYOUTS, SPACING AND ADDITIONAL DETAILS.
3. INSTALLATION MUST BE COMPLETED WITH THE MANUFACTURERS WRITTEN SPECIFICATIONS AND INSTALLATION INSTRUCTIONS.
4. THESE DRAWINGS ARE SUBJECT TO CHANGE WITHOUT NOTICE.



YOUR PREMIER SOLAR ATTACHMENT SOLUTION

220 EXCHANGE DRIVE, UNIT B, CRYSTAL LAKE, IL 60014
 PHONE: 800.815.7652 WEBSITE: WWW.SOLARCONNECTIONS.COM
 FAX: 815.455.4367 E-MAIL: INFO@SOLARCONNECTIONS.COM

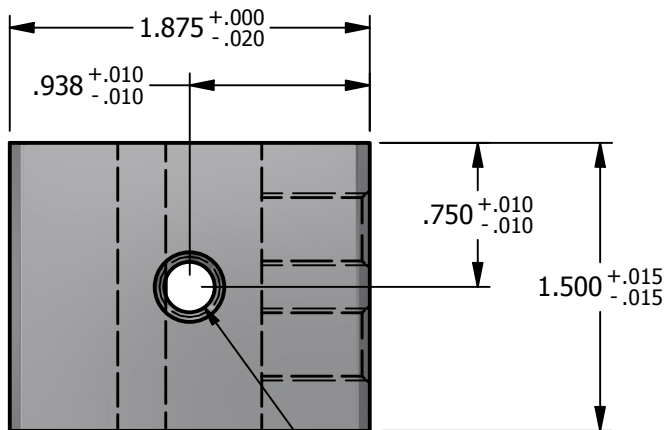
8801-601 PV CUBE KLOC-1SS | DIE: 8801

| | |
|-----------|------------------|
| DRAWN BY: | rhoeffleur |
| DATE: | 12/08/2025 |
| SCALE: | N.T.S. |
| MATERIAL: | 6061-T6 Aluminum |

THE INFORMATION HEREIN IS CONFIDENTIAL AND PROPRIETARY AND IS NOT TO BE DISCLOSED OR DELIVERED TO THIRD PARTIES WITHOUT THE PRIOR WRITTEN CONSENT OF SOLAR CONNECTIONS INTERNATIONAL, INC.

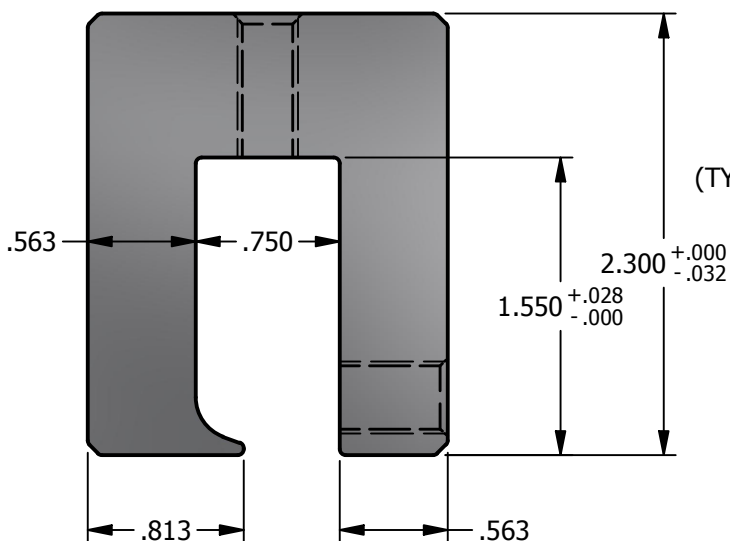
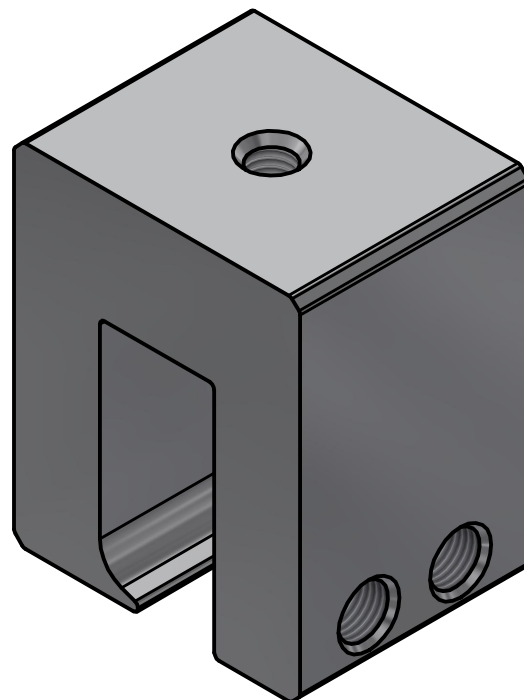
*** SCI PRODUCT CUT SHEET ***

| | |
|---------|--------------------------------------|
| REV-001 | APPROVED FOR PRODUCTION 1/18/25 |
| REV-002 | SCI BUSINESS ADDRESS CHANGE 12/08/25 |



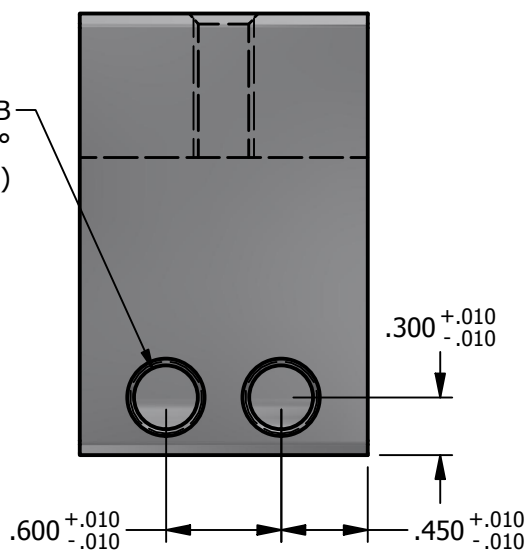
TOP VIEW

M8x1.25 - 6H
 ✓ ϕ .360 X 82°



FRONT VIEW

3/8-24 UNF - 2B
 ✓ ϕ .400 X 82°
 (TYP. AT 2 LOCATIONS)



RIGHT VIEW

NOTES:

1. FOR CLARITY THIS DRAWING IS NOT TO SCALE.
2. CONTACT THE MANUFACTURER FOR RECOMMENDED LAYOUTS, SPACING AND ADDITIONAL DETAILS.
3. INSTALLATION MUST BE COMPLETED WITH THE MANUFACTURERS WRITTEN SPECIFICATIONS AND INSTALLATION INSTRUCTIONS.
4. THESE DRAWINGS ARE SUBJECT TO CHANGE WITHOUT NOTICE.



YOUR PREMIER SOLAR ATTACHMENT SOLUTION

220 EXCHANGE DRIVE, UNIT B, CRYSTAL LAKE, IL 60014
 PHONE: 800.815.7652 WEBSITE: WWW.SOLARCONNECTIONS.COM
 FAX: 815.455.4367 E-MAIL: INFO@SOLARCONNECTIONS.COM

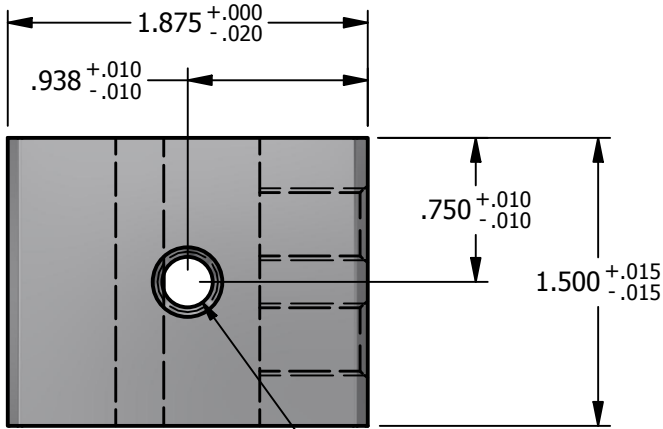
8801-602 PV CUBE KLOC-2SS | DIE: 8801

| | |
|-----------|------------------|
| DRAWN BY: | rhoeffleur |
| DATE: | 12/08/2025 |
| SCALE: | N.T.S. |
| MATERIAL: | 6061-T6 Aluminum |

THE INFORMATION HEREIN IS CONFIDENTIAL AND PROPRIETARY AND IS NOT TO BE DISCLOSED OR DELIVERED TO THIRD PARTIES WITHOUT THE PRIOR WRITTEN CONSENT OF SOLAR CONNECTIONS INTERNATIONAL, INC.

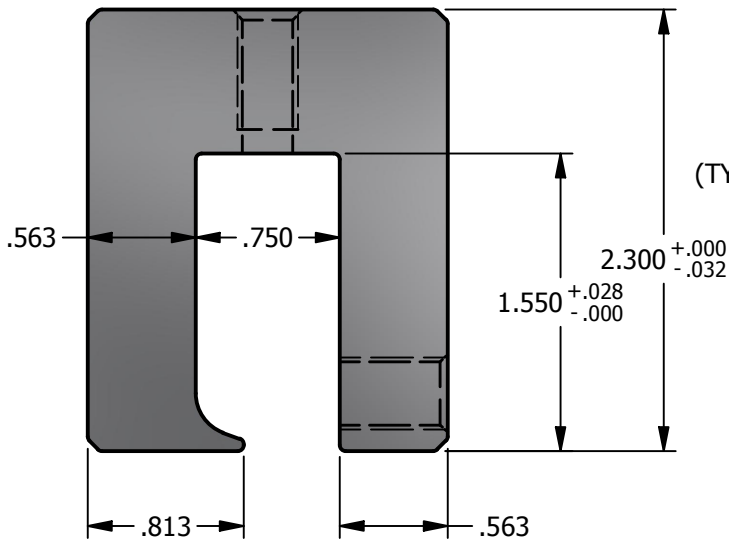
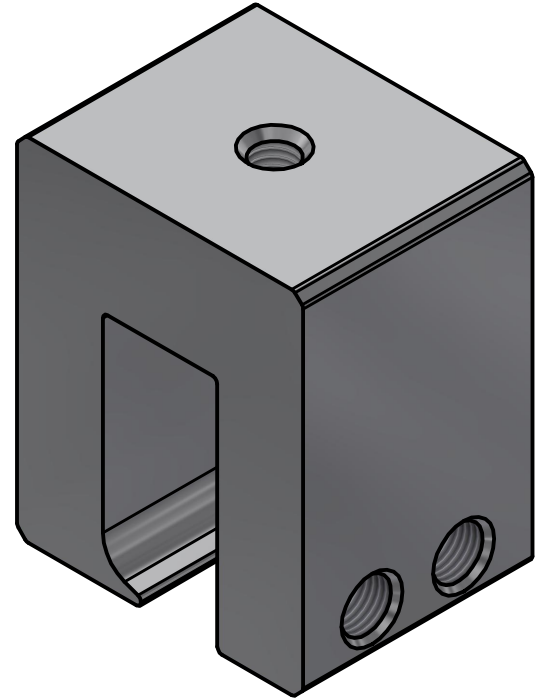
*** SCI PRODUCT CUT SHEET ***

| | |
|---------|--------------------------------------|
| REV-001 | APPROVED FOR PRODUCTION 1/18/25 |
| REV-002 | SCI BUSINESS ADDRESS CHANGE 12/08/25 |



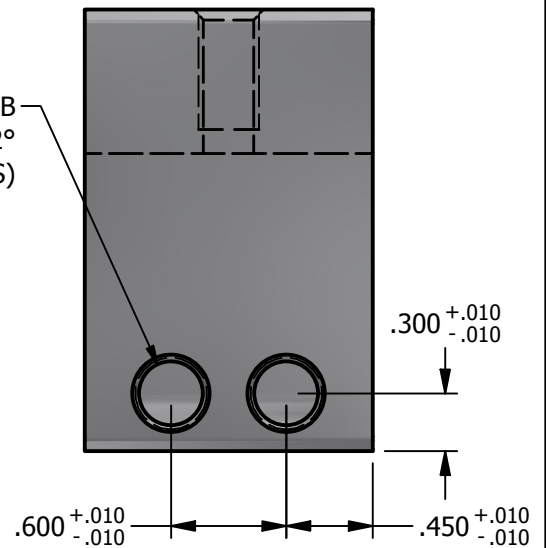
TOP VIEW

M8x1.25 - 6H ∇ .625
 \surd \varnothing .360 X 82°



FRONT VIEW

3/8-24 UNF - 2B
 \surd \varnothing .400 X 82°
 (TYP. AT 2 LOCATIONS)



RIGHT VIEW

NOTES:

1. FOR CLARITY THIS DRAWING IS NOT TO SCALE.
2. CONTACT THE MANUFACTURER FOR RECOMMENDED LAYOUTS, SPACING AND ADDITIONAL DETAILS.
3. INSTALLATION MUST BE COMPLETED WITH THE MANUFACTURERS WRITTEN SPECIFICATIONS AND INSTALLATION INSTRUCTIONS.
4. THESE DRAWINGS ARE SUBJECT TO CHANGE WITHOUT NOTICE.



YOUR PREMIER SOLAR ATTACHMENT SOLUTION

220 EXCHANGE DRIVE, UNIT B, CRYSTAL LAKE, IL 60014
 PHONE: 800.815.7652 WEBSITE: WWW.SOLARCONNECTIONS.COM
 FAX: 815.455.4367 E-MAIL: INFO@SOLARCONNECTIONS.COM

8801-602-SCI PV CUBE KLOC-2SS-SCI | DIE: 8801

| | |
|-----------|------------------|
| DRAWN BY: | rhoeffleur |
| DATE: | 12/08/2025 |
| SCALE: | N.T.S. |
| MATERIAL: | 6061-T6 Aluminum |

THE INFORMATION HEREIN IS CONFIDENTIAL AND PROPRIETARY AND IS NOT TO BE DISCLOSED OR DELIVERED TO THIRD PARTIES WITHOUT THE PRIOR WRITTEN CONSENT OF SOLAR CONNECTIONS INTERNATIONAL, INC.