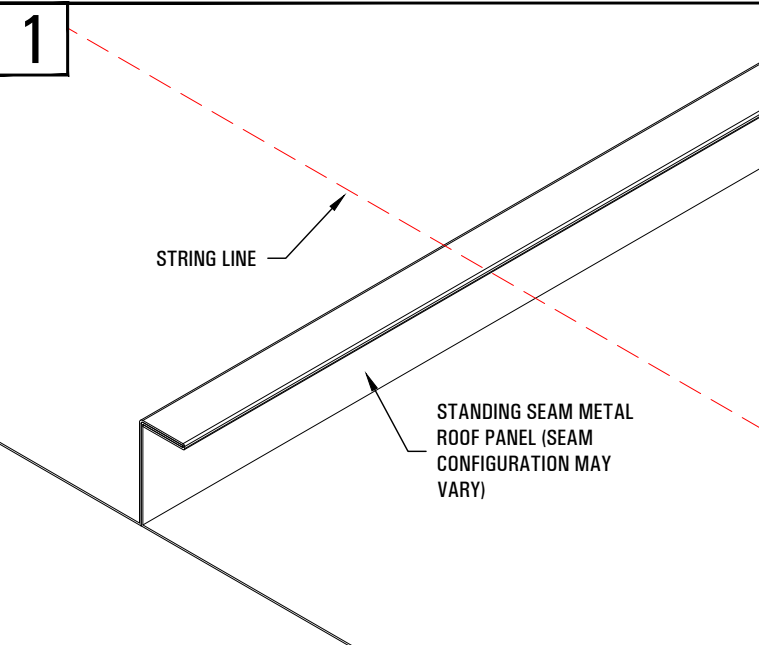
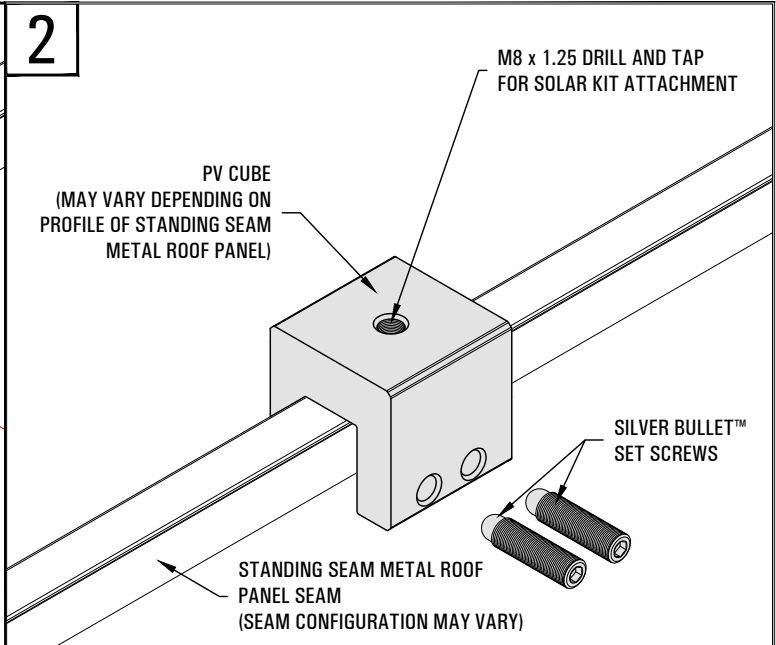


# \*\*\* SOLAR CONNECTIONS KIT INSTALLATION INSTRUCTIONS \*\*\*



**1**

MEASURE THE DISTANCE FROM THE EAVE TO THE FIRST ROW AND USE A STRING LINE OVER THE STANDING SEAM METAL ROOF PANEL SEAMS TO ESTABLISH A STRAIGHT GUIDELINE FOR YOUR PV CUBE INSTALLATION.

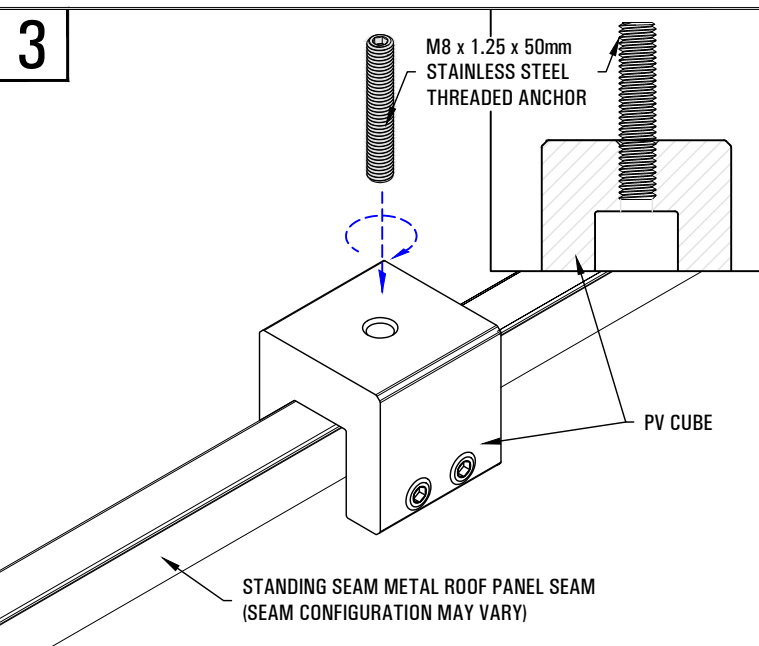


**2**

ALIGN THE PV CUBE ON THE SEAM EXACTLY AS SHOWN IN THE ORIENTATION WITHIN STEP 1, DEPENDING ON THE APPLICABLE SEAM PROFILE. SET THE SET SCREWS (OR SET SCREW BASED ON THE PV CUBE USED) LOCATED AT THE BOTTOM OF THE CLAMP. THE TORQUE SHOULD BE VERIFIED WITH A CALIBRATED TORQUE WRENCH WITHIN THE RECOMMENDED GUIDELINES SET FORTH BELOW.

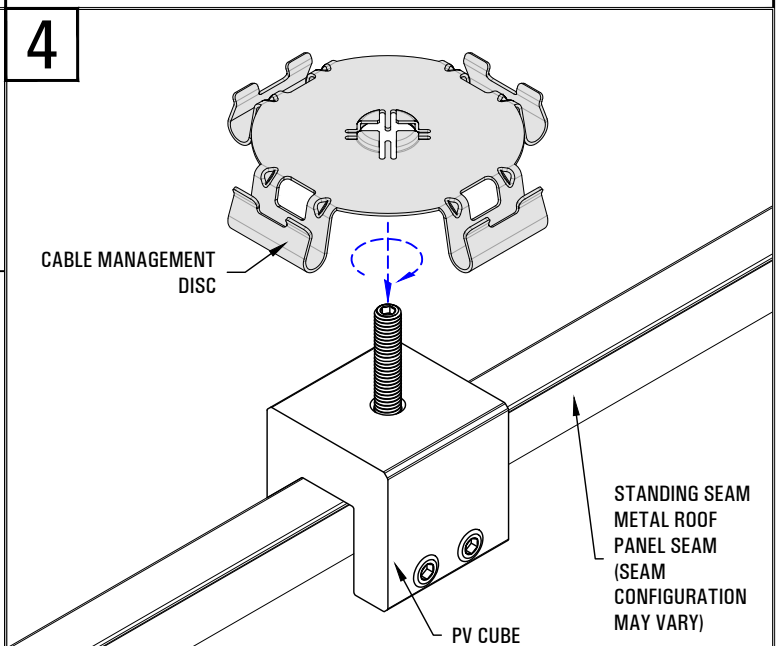
*CONTACT SOLAR CONNECTIONS INTERNATIONAL, INC. FOR THE RECOMMENDED TORQUE REQUIREMENTS OF ANY METAL GAUGE AND/OR MATERIAL NOT LISTED BELOW.*

24 Ga. STEEL = 150 IN/LBS · 160 IN/LBS | 22 Ga. STEEL = 180 IN/LBS · 200 IN/LBS



**3**

INSERT THE STAINLESS STEEL THREADED ANCHOR INTO THE THE TOP OF THE PV CUBE AND TORQUE UNTIL THE THREADED ANCHOR STOPS AT THE END OF THE THREADED HOLE WITHIN THE PV CUBE CLAMP.



**4**

CENTER THE CABLE MANAGEMENT DISC OVER THE M8 x 1.25 x 50mm STAINLESS STEEL THREADED ANCHOR AND PRESS DOWN UNTIL THE CABLE MANAGEMENT DISC REST FIRMLY ON THE TOP SURFACE OF THE PV CUBE, ROTATE CLOCKWISE TO TIGHTEN AND ALIGN THE CABLE MANAGEMENT HOOKS AS NECESSARY. REPEAT THIS STEP FOR ALL PV CUBES INSTALLED OVER THE STANDING SEAM METAL ROOF PANEL SEAMS.

## SOLAR CONNECTIONS KIT INSTALLATION



220 EXCHANGE DRIVE, UNIT B, CRYSTAL LAKE, IL 60014

PHONE: 800.815.7652 WEBSITE: WWW.SOLARCONNECTIONS.COM  
 FAX: 815.455.4367 E-MAIL: INFO@SOLARCONNECTIONS.COM

### DISCLAIMER

THE INFORMATION HEREIN IS CONFIDENTIAL AND PROPRIETARY AND IS NOT TO BE DISCLOSED OR DELIVERED TO THIRD PARTIES WITHOUT THE PRIOR WRITTEN CONSENT OF SOLAR CONNECTIONS INTERNATIONAL, INC.

SOLAR CONNECTIONS INTERNATIONAL, INC. DOES NOT WARRANT THE INSTALLATION IF ITS PRODUCTS. PRODUCT PERFORMANCE IS DEPENDENT ON THE INSTALLERS STRICT ADHERENCE TO THESE INSTALLATION INSTRUCTIONS.

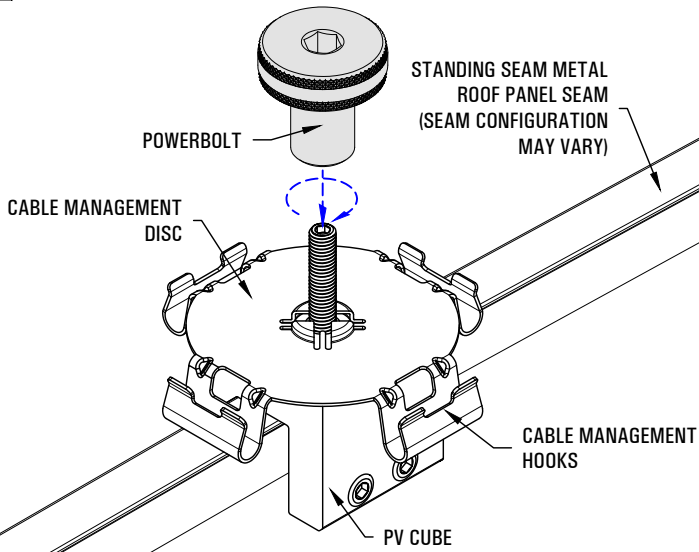
SOLAR CONNECTIONS INTERNATIONAL, INC. IS NOT A LICENSED ARCHITECT OR ENGINEER, THEREFORE WE STRONGLY RECOMMEND THAT AN ARCHITECT AND/OR STRUCTURAL ENGINEER PROPERLY LICENSED IN THE CITY AND STATE WHERE THE PROJECT IS LOCATED, REVIEW THE CONTEMPLATED LAYOUT TO ENSURE THAT THE BUILDING STRUCTURE CAN WITHSTAND THE PROJECTED SNOW AND/OR WIND LOAD. SOLAR CONNECTIONS INTERNATIONAL, INC. ASSUMES NO LIABILITY THEREFORE.

DRAWN BY:	RJH
DATE:	12/8/25
SCALE:	N.T.S.

**1**

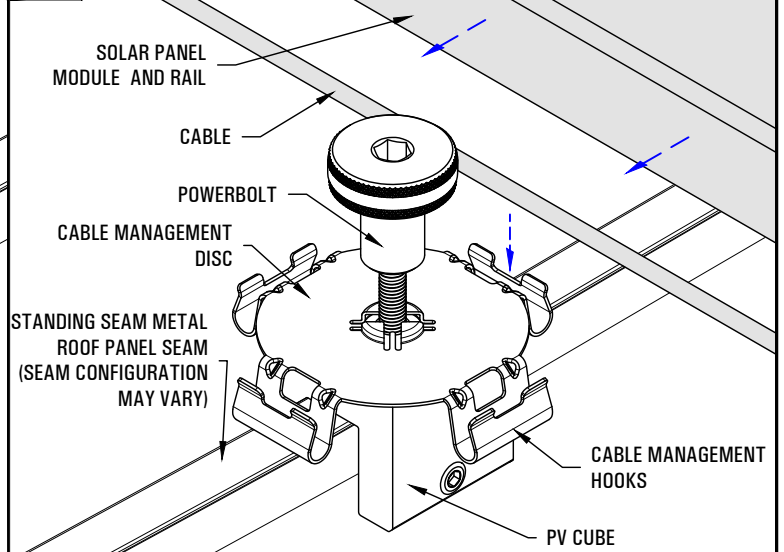
# \*\*\* SOLAR CONNECTIONS KIT INSTALLATION INSTRUCTIONS \*\*\*

## 5 PERIMETER CONDITION



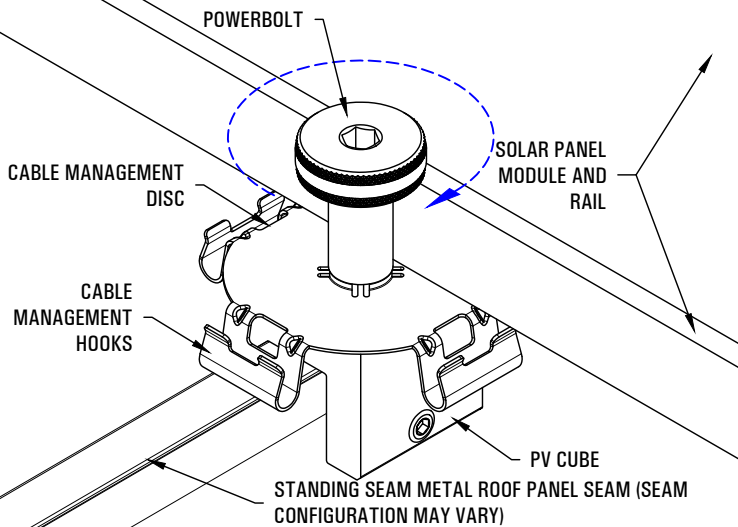
FIRST, VERIFY THAT THE LENGTH OF THE POWER BOLT SHANK EXACTLY MATCHES THE THICKNESS/HEIGHT OF THE END OF THE SOLAR PANEL MODULE. THEN, THREAD THE PERIMETER POWERBOLT ON TO THE M8 x 1.25 x 50mm STAINLESS STEEL THREADED ANCHOR ON THE FIRST ROW OF PV CUBES, ONLY. MAKE SURE TO NOT COMPLETELY TIGHTEN DOWN THE POWERBOLT ON THE END OF THE SERIES, AS YOU WILL NEED CLEARANCE FOR THE SOLAR PANEL MODULE. REPEAT THIS STEP FOR THE ENTIRE FIRST ROW OF PV CUBES IN THAT SERIES, ONLY.

## 6 PERIMETER CONDITION



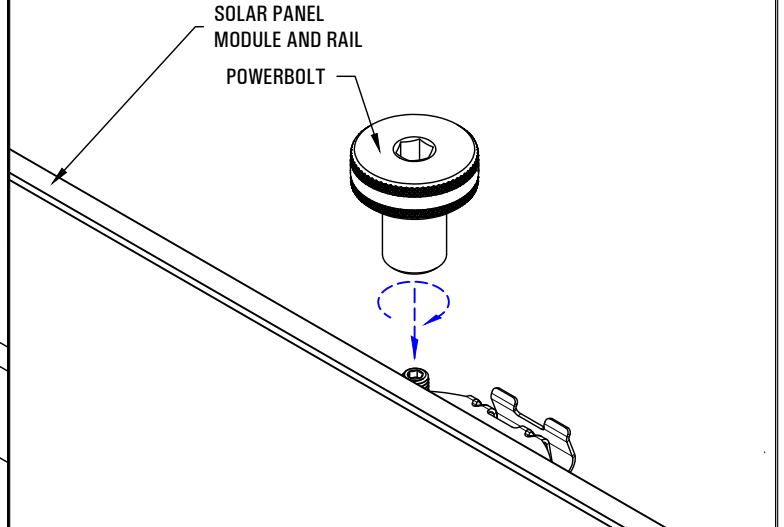
SLIDE THE SOLAR PANEL MODULE ON TO THE TOP FACE OF THE CABLE MANAGEMENT DISC. MAKE SURE THE EDGE OF THE SOLAR PANEL MODULE IS TIGHTLY UP AGAINST THE CENTER SHANK OF THE POWERBOLT. USE THE CABLE MANAGEMENT HOOKS AS NECESSARY, FOR ANY STREAMLINING OF YOUR LOOSE CABLING FOR IMPROVED CABLE MANAGEMENT.

## 7 PERIMETER CONDITION



ONCE THE SOLAR PANEL MODULE IS IN PLACE, HAND TIGHTEN THE POWERBOLT DOWN TO THE SOLAR PANEL MODULE. REPEAT THESE STEPS 5-7 FOR EACH SOLAR PANEL MODULE IN THE FIRST ROW OF THAT SERIES, ONLY.

## 8 CENTER CONDITION



WITH THE FIRST ROW SOLAR PANEL MODULES IN PLACE, VERIFY YOU HAVE THE CORRECT 30mm CENTER POWERBOLT FOR THE CENTER CONDITION POWER BOLT ATTACHMENT, THEN ALIGN AND THREAD THE CENTER POWERBOLT ON TO THE M8 x 1.25 x 50mm STAINLESS STEEL THREADED ANCHORS LOCATED ON THE OPPOSITE EDGE FROM WHERE THE POWERBOLTS WERE JUST INSTALLED. MAKE SURE TO NOT COMPLETELY TIGHTEN THE POWERBOLT ALL THE WAY DOWN AS YOU WILL NEED CLEARANCE FOR THE NEXT SOLAR PANEL MODULE TO BE INSTALLED. THEN, REPEAT THIS STEP FOR THE REMAINING POWER BOLTS IN THE CENTER CONDITION FOR THE ENTIRE FIRST ROW OF SOLAR PANEL MODULES.

# SOLAR CONNECTIONS KIT INSTALLATION CON'T.



220 EXCHANGE DRIVE, UNIT B, CRYSTAL LAKE, IL 60014

PHONE: 800.815.7652 WEBSITE: WWW.SOLARCONNECTIONS.COM  
 FAX: 815.455.4367 E-MAIL: INFO@SOLARCONNECTIONS.COM

### DISCLAIMER

THE INFORMATION HEREIN IS CONFIDENTIAL AND PROPRIETARY AND IS NOT TO BE DISCLOSED OR DELIVERED TO THIRD PARTIES WITHOUT THE PRIOR WRITTEN CONSENT OF SOLAR CONNECTIONS INTERNATIONAL, INC.

SOLAR CONNECTIONS INTERNATIONAL, INC. DOES NOT WARRANT THE INSTALLATION IF ITS PRODUCTS. PRODUCT PERFORMANCE IS DEPENDENT ON THE INSTALLERS STRICT ADHERENCE TO THESE INSTALLATION INSTRUCTIONS.

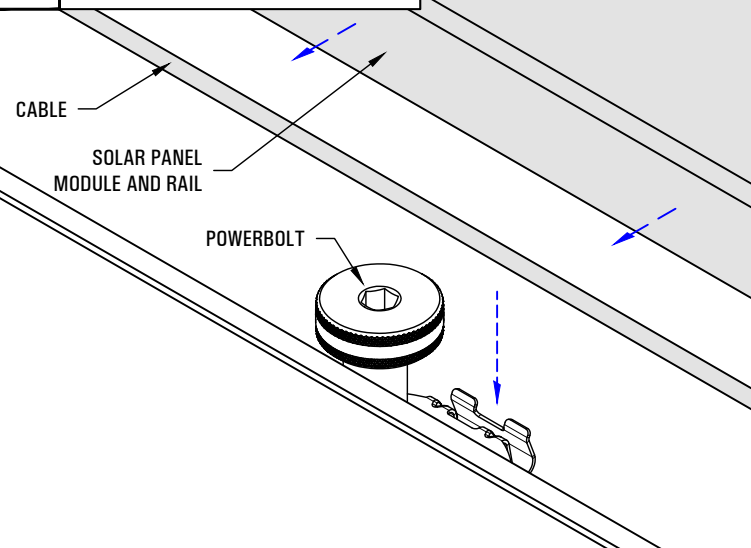
SOLAR CONNECTIONS INTERNATIONAL, INC. IS NOT A LICENSED ARCHITECT OR ENGINEER, THEREFORE WE STRONGLY RECOMMEND THAT AN ARCHITECT AND/OR STRUCTURAL ENGINEER PROPERLY LICENSED IN THE CITY AND STATE WHERE THE PROJECT IS LOCATED, REVIEW THE CONTEMPLATED LAYOUT TO ENSURE THAT THE BUILDING STRUCTURE CAN WITHSTAND THE PROJECTED SNOW AND/OR WIND LOAD. SOLAR CONNECTIONS INTERNATIONAL, INC. ASSUMES NO LIABILITY THEREFORE.

DRAWN BY:	RJH
DATE:	12/8/25
SCALE:	N.T.S.

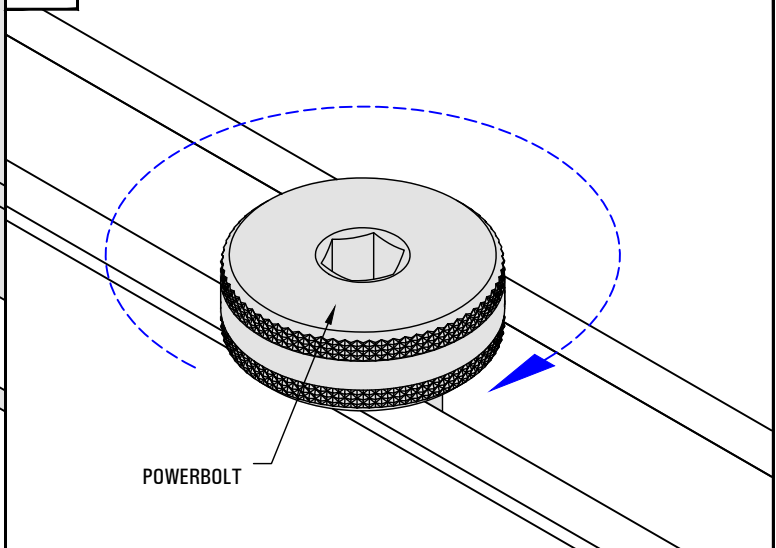
# 2

# \*\*\* SOLAR CONNECTIONS KIT INSTALLATION INSTRUCTIONS \*\*\*

## 9 CENTER CONDITION



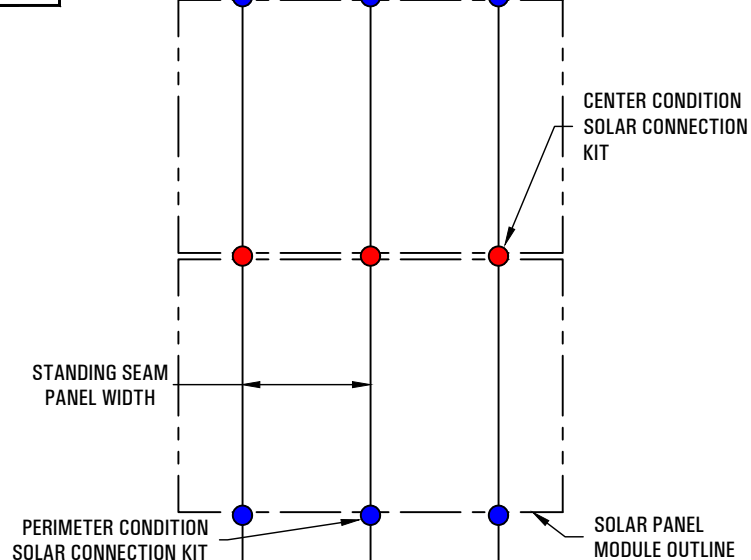
## 10



SLIDE THE NEXT ROW OF SOLAR PANEL MODULES ONTO THE TOP FACE OF THE CABLE MANAGEMENT DISC. MAKE SURE THE EDGE OF THE SOLAR PANEL MODULE IS AGAIN ON TOP OF THE CABLE MANAGEMENT DISK AND IS TIGHTLY UP AGAINST THE CENTER SHANK OF THE POWERBOLT. USE THE CABLE MANAGEMENT HOOKS FOR ANY STREAMLINING OF YOUR LOOSE CABLING REQUIRED FOR IMPROVED CABLE MANAGEMENT. ONCE THE SOLAR PANEL MODULE IS INSTALLED AND IN PLACE, HAND TIGHTEN ALL POWERBOLTS. REPEAT STEPS 8 AND 9 FOR EACH SOLAR PANEL MODULE TO COMPLETE THAT SERIES'S INSTALLATION, AND USE A POWERBOLT FOR THE FINAL PERIMETER CONDITION.

ONCE THE ENTIRE MODULE SERIES IS INSTALLED, USE A CALIBRATED TORQUE WRENCH AND 10mm HEX ADAPTER AND TORQUE EVERY POWERBOLT TO A MINIMUM OF 200 IN/LBS. THIS WILL CREATE THE GROUND BONDING TECHNOLOGY TO EACH SOLAR PANEL MODULE, IN THAT MODULE SERIES.

## 11



CONTINUE ANY PERIMETER AND CENTER CONDITION SOLAR CONNECTION KIT INSTALLATIONS FOR EACH ADDITIONAL ROW, AS REQUIRED. ONCE ALL OF THE POWERBOLTS HAVE BEEN PROPERLY TORQUED IN PLACE, INCLUDING ALL PERIMETER POWERBOLTS, YOUR INSTALLATION IS NOW COMPLETE. BE SURE TO FOLLOW THE AHJ, ARCHITECT'S AND/OR ENGINEER'S REQUIRED SPACING AND/OR LAYOUT, INCLUDING THEIR ADJUSTMENTS FOR FIELD CONDITIONS, IF ANY ARE REQUIRED. A RECOMMENDED LAYOUT CAN BE FURNISHED BY SOLAR CONNECTIONS INTERNATIONAL, INC. UPON WRITTEN REQUEST, ONLY.

# SOLAR CONNECTIONS KIT INSTALLATION CON'T.

**SOLAR CONNECTIONS INTERNATIONAL**  
YOUR PREMIER SOLAR ATTACHMENT SOLUTION

220 EXCHANGE DRIVE, UNIT B, CRYSTAL LAKE, IL 60014

PHONE: 800.815.7652 WEBSITE: WWW.SOLARCONNECTIONS.COM  
FAX: 815.455.4367 E-MAIL: INFO@SOLARCONNECTIONS.COM

**DISCLAIMER**

THE INFORMATION HEREIN IS CONFIDENTIAL AND PROPRIETARY AND IS NOT TO BE DISCLOSED OR DELIVERED TO THIRD PARTIES WITHOUT THE PRIOR WRITTEN CONSENT OF SOLAR CONNECTIONS INTERNATIONAL, INC.

SOLAR CONNECTIONS INTERNATIONAL, INC. DOES NOT WARRANT THE INSTALLATION IF ITS PRODUCTS. PRODUCT PERFORMANCE IS DEPENDENT ON THE INSTALLERS STRICT ADHERENCE TO THESE INSTALLATION INSTRUCTIONS.

SOLAR CONNECTIONS INTERNATIONAL, INC. IS NOT A LICENSED ARCHITECT OR ENGINEER, THEREFORE WE STRONGLY RECOMMEND THAT AN ARCHITECT AND/OR STRUCTURAL ENGINEER PROPERLY LICENSED IN THE CITY AND STATE WHERE THE PROJECT IS LOCATED, REVIEW THE CONTEMPLATED LAYOUT TO ENSURE THAT THE BUILDING STRUCTURE CAN WITHSTAND THE PROJECTED SNOW AND/OR WIND LOAD. SOLAR CONNECTIONS INTERNATIONAL, INC. ASSUMES NO LIABILITY THEREFORE.

DRAWN BY:	RJH
DATE:	12/8/25
SCALE:	N.T.S.

3