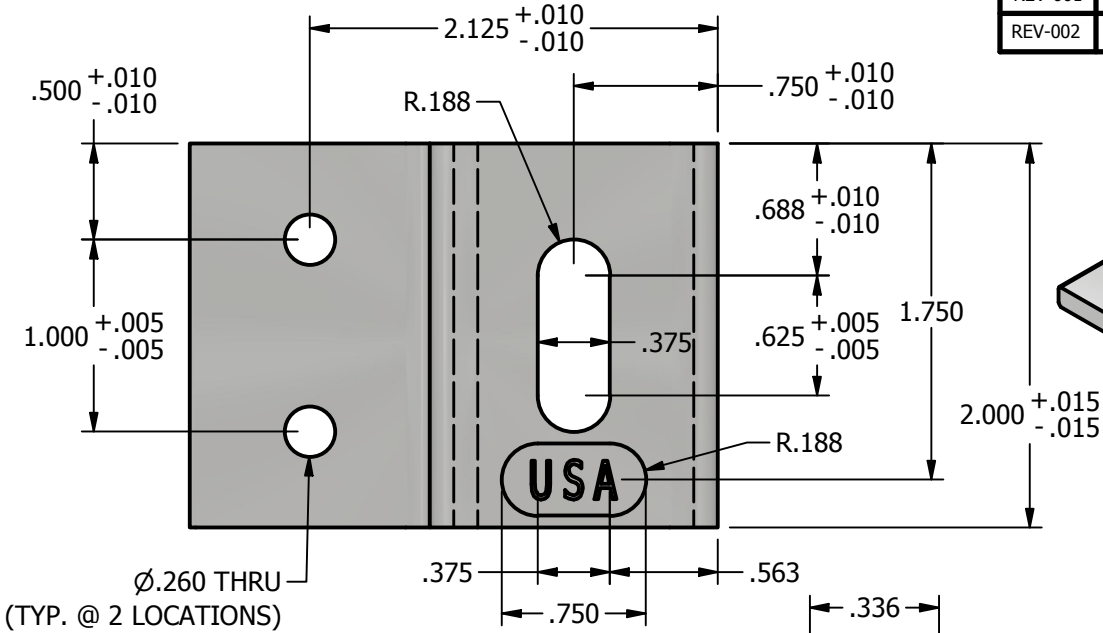
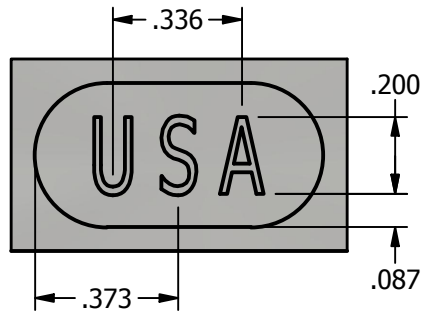


# \*\*\* SCI PRODUCT CUT SHEET \*\*\*

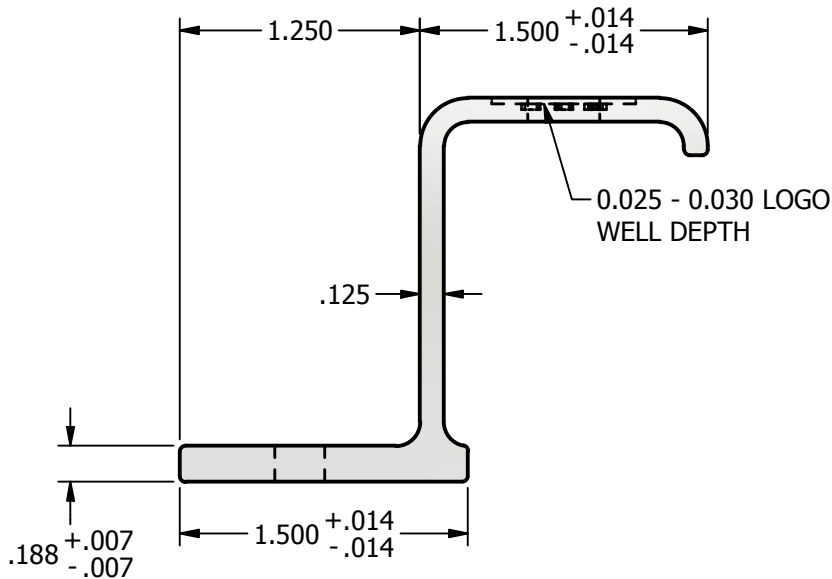
REV-001	APPROVED FOR PRODUCTION 1/18/25
REV-002	SCI BUSINESS ADDRESS CHANGE 12/08/25



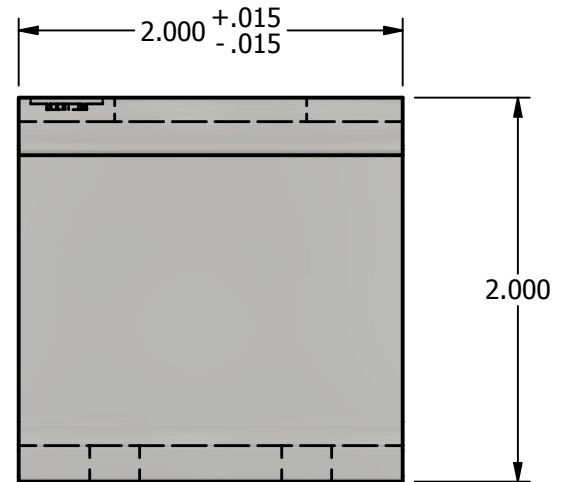
**TOP VIEW**



**LOGO DETAIL**



**FRONT VIEW**



**RIGHT VIEW**

**NOTES:**

1. FOR CLARITY THIS DRAWING IS NOT TO SCALE.
2. CONTACT THE MANUFACTURER FOR RECOMMENDED LAYOUTS, SPACING AND ADDITIONAL DETAILS.
3. INSTALLATION MUST BE COMPLETED WITH THE MANUFACTURERS WRITTEN SPECIFICATIONS AND INSTALLATION INSTRUCTIONS.
4. THESE DRAWINGS ARE SUBJECT TO CHANGE WITHOUT NOTICE.



YOUR PREMIER SOLAR ATTACHMENT SOLUTION

220 EXCHANGE DRIVE, UNIT B, CRYSTAL LAKE, IL 60014  
 PHONE: 800.815.7652 WEBSITE: WWW.SOLARCONNECTIONS.COM  
 FAX: 815.455.4367 E-MAIL: INFO@SOLARCONNECTIONS.COM

## Z-BRACKET-USA | DIE: 10583

DRAWN BY:	rhoeffleur
DATE:	12/08/2025
SCALE:	N.T.S.
MATERIAL:	6061-T6 Aluminum

THE INFORMATION HEREIN IS CONFIDENTIAL AND PROPRIETARY AND IS NOT TO BE DISCLOSED OR DELIVERED TO THIRD PARTIES WITHOUT THE PRIOR WRITTEN CONSENT OF SNO GEM, INC.