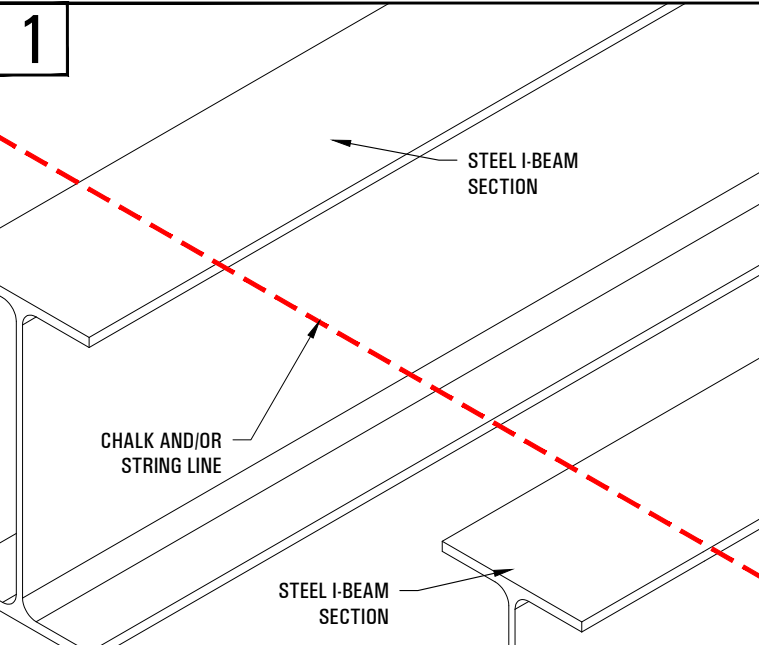
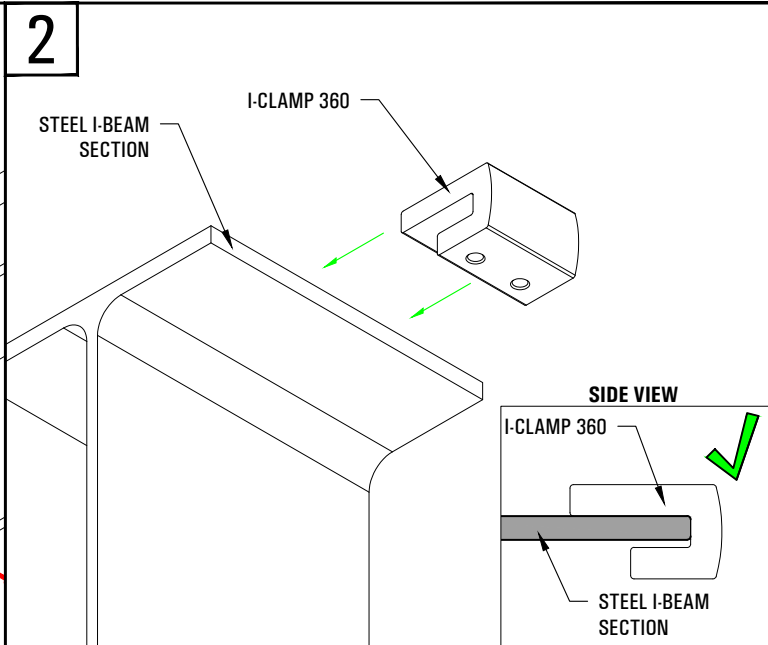


# \*\*\* I-CLAMP 360 INSTALLATION INSTRUCTIONS \*\*\*



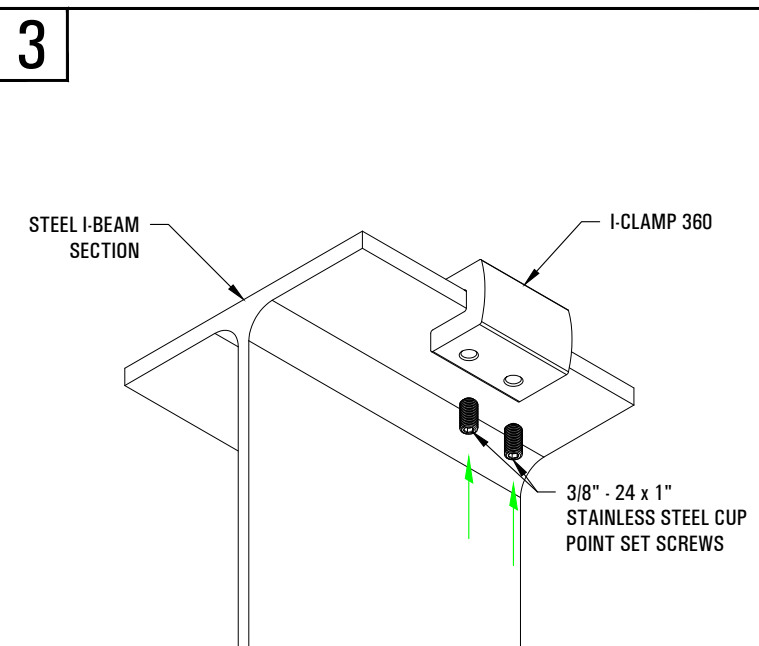
**1**

MEASURE THE DISTANCE FROM EAVE TO THE FIRST ROW OF I-CLAMP 360'S AND USE A STRING OR CHALK LINE OVER THE TOP OF THE I-BEAMS, TO ESTABLISH A STRAIGHT GUIDELINE FOR INSTALLATION.



**2**

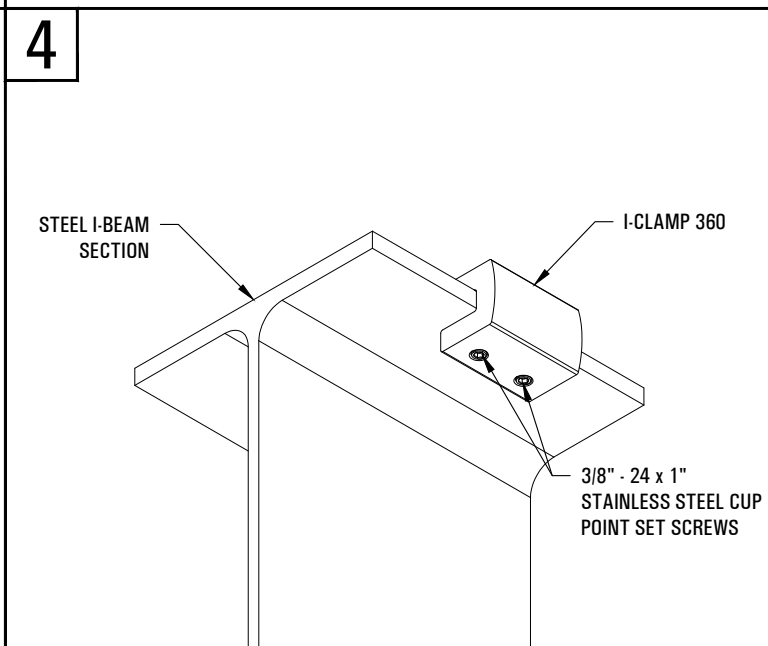
SLIDE THE I-CLAMP 360 ONTO THE I-BEAM PER YOUR REQUIRED LAYOUT. TO ENSURE THE STRONGEST ATTACHMENT, MAKE SURE THAT THE I-CLAMP 360 IS FULLY SEATED ONTO THE I-BEAM, SO THAT THE I-BEAM FLANGE IS AT THE BACK OF THE I-CLAMP 360, WITH NO GAP BETWEEN THE TWO.



**3**

SECURE THE I-CLAMP 360 WITH THE TWO 3/8" - 24 x 1" STAINLESS STEEL CUP POINT SET SCREWS (OR THE OPTION B BEING: M8 x 1.25 x 20MM STAINLESS STEEL HEX HEAD FLANGE BOLT) TO THE STEEL I-BEAM ON THE BOTTOM OF I-CLAMP 360. THE TORQUE SHOULD BE VERIFIED WITH A CALIBRATED TORQUE WRENCH WITHIN THE RECOMMENDED GUIDELINES SET FORTH BELOW.

**RECOMMENDED 3/8"-24 x 1" STAINLESS STEEL CUP POINT SET SCREW TORQUE VALUE: 240 IN/LBS FOR EACH CUP POINT SET SCREW**



**4**

VERIFY THAT THE I-CLAMP 360 IS SECURE, STRAIGHT AND LEVEL. MEASURE AND MARK THE LOCATION OF THE NEXT I-CLAMP 360'S LOCATION, THEN REPEAT STEPS 2-4 FOR THE REMAINING I-CLAMP 360'S IN THE SERIES. BE SURE TO FOLLOW THE ARCHITECT'S AND/OR ENGINEER'S REQUIRED SPACING AND/OR LAYOUT, INCLUDING THEIR ADJUSTMENTS FOR FIELD CONDITIONS, IF ANY ARE REQUIRED (A RECOMMENDED LAYOUT CAN BE FURNISHED BY SOLAR CONNECTIONS INTERNATIONAL, INC. UPON WRITTEN REQUEST, ONLY).

## I-CLAMP 360 CUP POINT SET SCREW INSTALLATION

**SOLAR CONNECTIONS INTERNATIONAL**  
YOUR PREMIER SOLAR ATTACHMENT SOLUTION

220 EXCHANGE DRIVE, UNIT B, CRYSTAL LAKE, IL 60014

PHONE: 800.815.7652 WEBSITE: WWW.SOLARCONNECTIONS.COM  
FAX: 815.455.4367 E-MAIL: INFO@SOLARCONNECTIONS.COM

**DISCLAIMER**

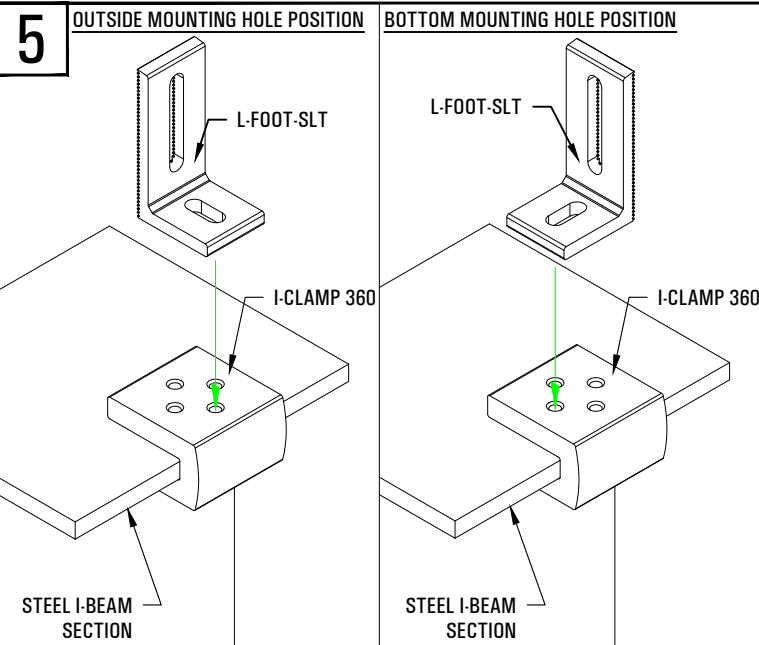
THE INFORMATION HEREIN IS CONFIDENTIAL AND PROPRIETARY AND IS NOT TO BE DISCLOSED OR DELIVERED TO THIRD PARTIES WITHOUT THE PRIOR WRITTEN CONSENT OF SOLAR CONNECTIONS INTERNATIONAL, INC.

SOLAR CONNECTIONS INTERNATIONAL, INC. DOES NOT WARRANT THE INSTALLATION IF ITS PRODUCTS. PRODUCT PERFORMANCE IS DEPENDENT ON THE INSTALLERS STRICT ADHERENCE TO THESE INSTALLATION INSTRUCTIONS.

SOLAR CONNECTIONS INTERNATIONAL, INC. IS NOT A LICENSED ARCHITECT OR ENGINEER, THEREFORE WE STRONGLY RECOMMEND THAT AN ARCHITECT AND/OR STRUCTURAL ENGINEER PROPERLY LICENSED IN THE CITY AND STATE WHERE THE PROJECT IS LOCATED, REVIEW THE CONTEMPLATED LAYOUT TO ENSURE THAT THE BUILDING STRUCTURE CAN WITHSTAND THE PROJECTED SNOW AND/OR WIND LOAD. SOLAR CONNECTIONS INTERNATIONAL, INC. ASSUMES NO LIABILITY THEREFORE.

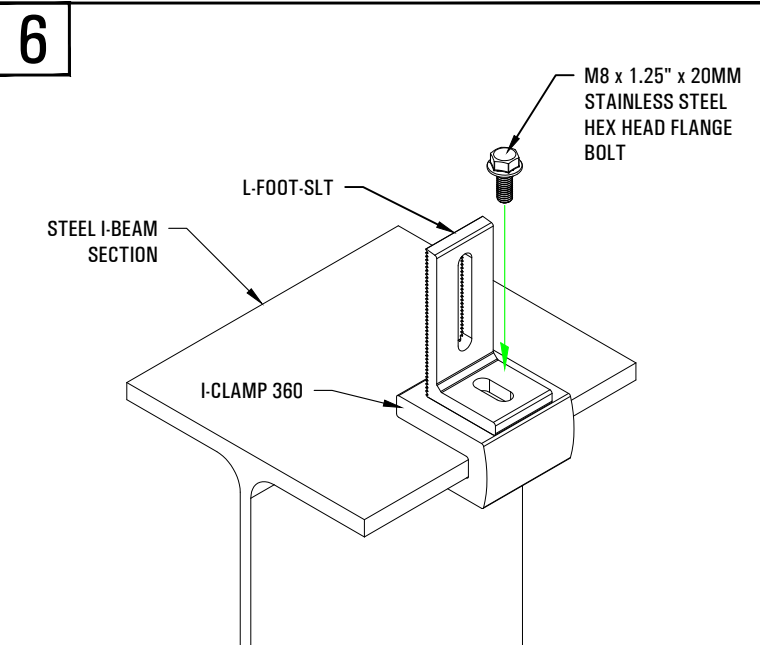
DRAWN BY:	E.C.
DATE:	12/8/25
SCALE:	N.T.S.
<b>1</b>	

# \*\*\* I-CLAMP 360 INSTALLATION INSTRUCTIONS \*\*\*

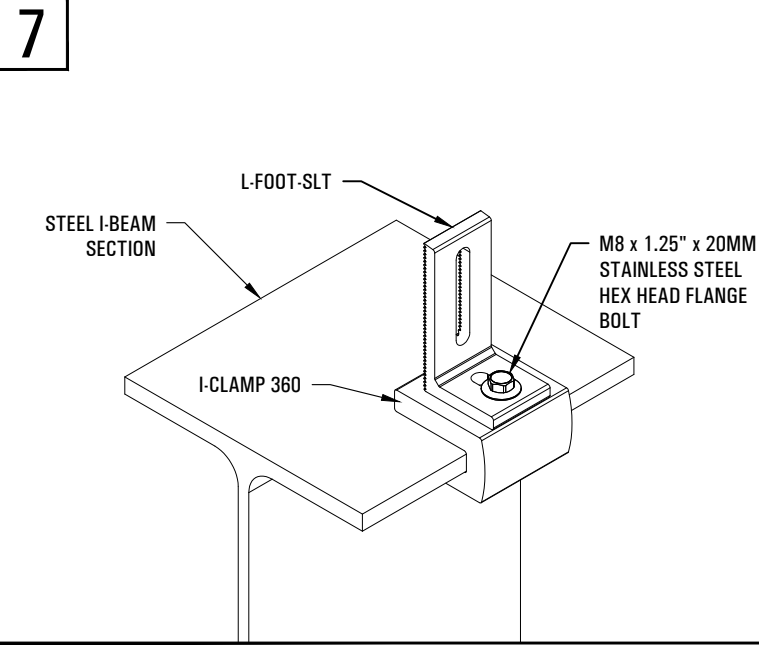


WHEN INSTALLING THE SCI L-FOOT-SLT, ANY OF THE 4 TOTAL OPTIONAL MOUNTING HOLES CAN BE UTILIZED, USING AN ORIENTATION ENSURING THAT THE L-FOOT-SLT IS INSTALLED ON TOP OF THE I-CLAMP 360, SO THAT THE ENTIRE L-FOOT-SLT BRACKET BASE IS SITTING DIRECTLY ON THE TOP FACE OF THE I-CLAMP 360 ITSELF.

NOTE: TWO OF THE 4 TOTAL OPTIONAL MOUNTING HOLE ORIENTATIONS ARE SHOWN ABOVE WITHIN THIS STEP 5, ONLY.



SECURE THE L-FOOT-SLT WITH A M8 x 1.25" x 20MM STAINLESS STEEL HEX HEAD FLANGE BOLT THROUGH THE SLOTTED OPENING WITHIN THE FASTENING FLANGE OF THE I-CLAMP 360.



VERIFY THAT THE L-FOOT-SLT IS SECURE STRAIGHT AND LEVEL. REPEAT STEPS 5 AND 6 FOR THE REMAINING L-FOOT-SLT'S TO BE INSTALLED ON TOP OF THE I-CLAMP 360'S IN THE SERIES. BE SURE TO FOLLOW THE ARCHITECT'S AND/OR ENGINEER'S REQUIRED SPACING AND/OR LAYOUT, INCLUDING THEIR ADJUSTMENTS FOR FIELD CONDITIONS, IF ANY ARE REQUIRED (A RECOMMENDED LAYOUT CAN BE FURNISHED BY SOLAR CONNECTIONS INTERNATIONAL, INC. UPON WRITTEN REQUEST, ONLY).

## I-CLAMP 360 INSTALLATION WITH SCI'S L-FOOT-SLT

**SOLAR CONNECTIONS INTERNATIONAL**  
YOUR PREMIER SOLAR ATTACHMENT SOLUTION

220 EXCHANGE DRIVE, UNIT B, CRYSTAL LAKE, IL 60014

PHONE: 800.815.7652 WEBSITE: WWW.SOLARCONNECTIONS.COM  
FAX: 815.455.4367 E-MAIL: INFO@SOLARCONNECTIONS.COM

**DISCLAIMER**

THE INFORMATION HEREIN IS CONFIDENTIAL AND PROPRIETARY AND IS NOT TO BE DISCLOSED OR DELIVERED TO THIRD PARTIES WITHOUT THE PRIOR WRITTEN CONSENT OF SOLAR CONNECTIONS INTERNATIONAL, INC.

SOLAR CONNECTIONS INTERNATIONAL, INC. DOES NOT WARRANT THE INSTALLATION IF ITS PRODUCTS. PRODUCT PERFORMANCE IS DEPENDENT ON THE INSTALLERS STRICT ADHERENCE TO THESE INSTALLATION INSTRUCTIONS.

SOLAR CONNECTIONS INTERNATIONAL, INC. IS NOT A LICENSED ARCHITECT OR ENGINEER, THEREFORE WE STRONGLY RECOMMEND THAT AN ARCHITECT AND/OR STRUCTURAL ENGINEER PROPERLY LICENSED IN THE CITY AND STATE WHERE THE PROJECT IS LOCATED, REVIEW THE CONTEMPLATED LAYOUT TO ENSURE THAT THE BUILDING STRUCTURE CAN WITHSTAND THE PROJECTED SNOW AND/OR WIND LOAD. SOLAR CONNECTIONS INTERNATIONAL, INC. ASSUMES NO LIABILITY THEREFORE.

DRAWN BY: E.C.  
DATE: 12/8/25  
SCALE: N.T.S.