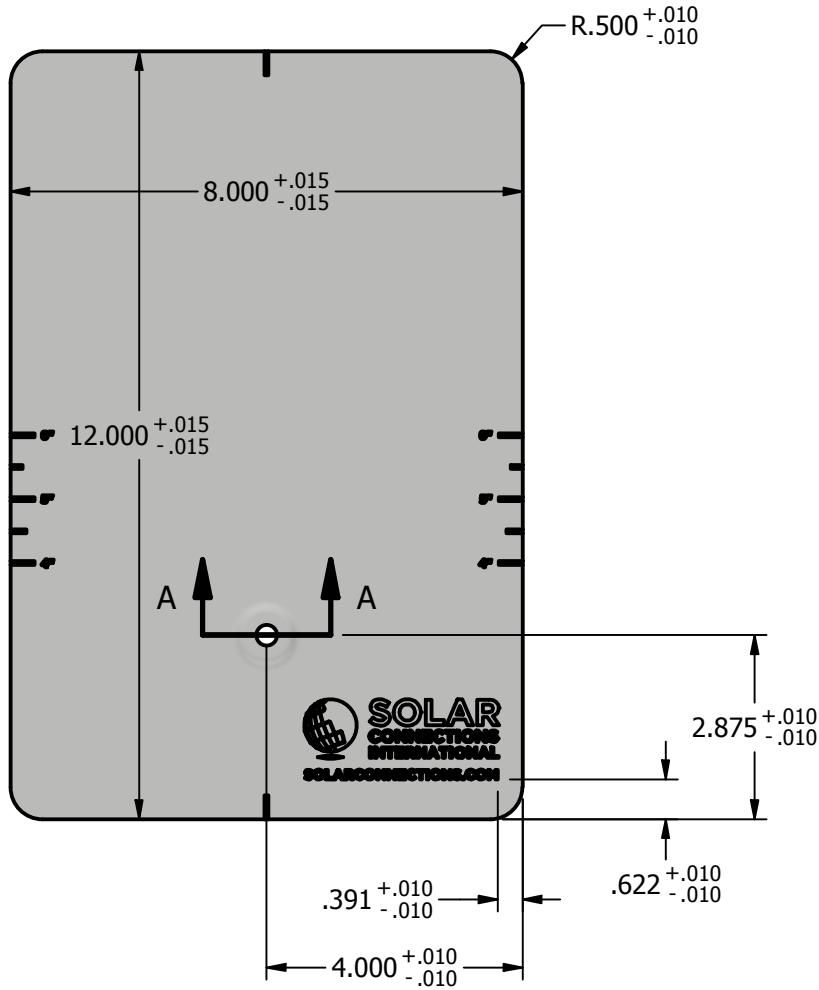
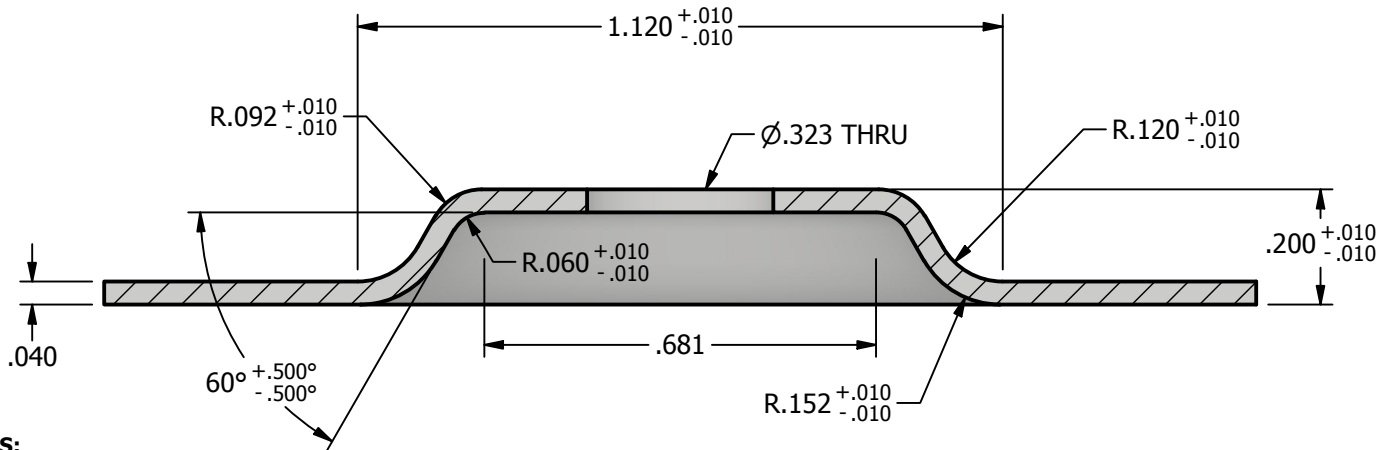


# \*\*\* SCI PRODUCT CUT SHEET \*\*\*

|         |                                      |
|---------|--------------------------------------|
| REV-001 | APPROVED FOR PRODUCTION 1/18/25      |
| REV-002 | SCI BUSINESS ADDRESS CHANGE 12/08/25 |



**TOP VIEW**



**SECTION A-A**

**NOTES:**

1. FOR CLARITY THIS DRAWING IS NOT TO SCALE.
2. CONTACT THE MANUFACTURER FOR RECOMMENDED LAYOUTS, SPACING AND ADDITIONAL DETAILS.
3. INSTALLATION MUST BE COMPLETED WITH THE MANUFACTURERS WRITTEN SPECIFICATIONS AND INSTALLATION INSTRUCTIONS.
4. THESE DRAWINGS ARE SUBJECT TO CHANGE WITHOUT NOTICE.



YOUR PREMIER SOLAR ATTACHMENT SOLUTION

220 EXCHANGE DRIVE, UNIT B, CRYSTAL LAKE, IL 60014  
 PHONE: 800.815.7652 WEBSITE: WWW.SOLARCONNECTIONS.COM  
 FAX: 815.455.4367 E-MAIL: INFO@SOLARCONNECTIONS.COM

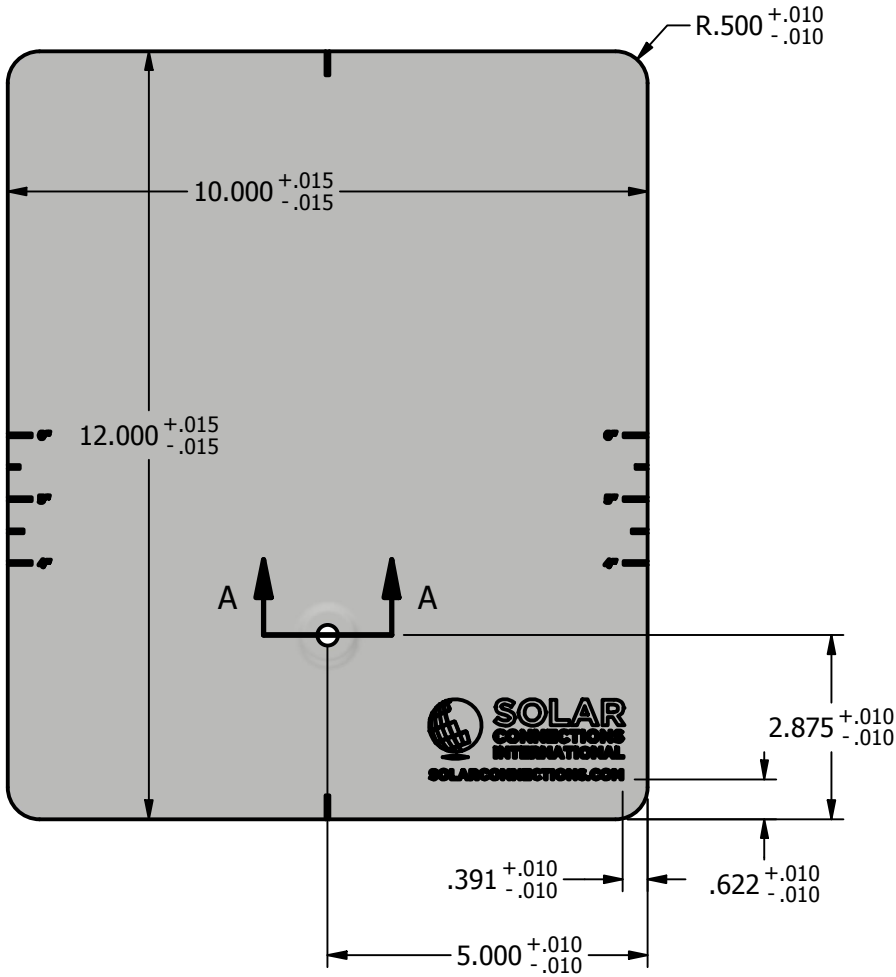
## PWRPLT 8x12-ELV-R

|           |               |
|-----------|---------------|
| DRAWN BY: | rhoeffleur    |
| DATE:     | 12/08/25      |
| SCALE:    | N.T.S.        |
| MATERIAL: | .040 ALUMINUM |

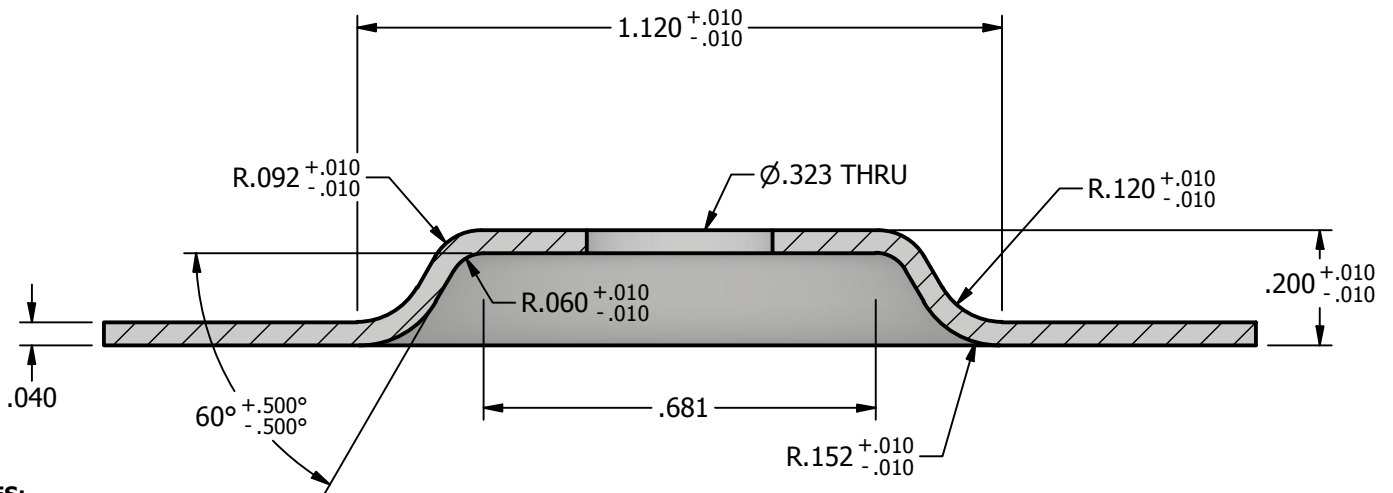
THE INFORMATION HEREIN IS CONFIDENTIAL AND PROPRIETARY AND IS NOT TO BE DISCLOSED OR DELIVERED TO THIRD PARTIES WITHOUT THE PRIOR WRITTEN CONSENT OF SOLAR CONNECTIONS INTERNATIONAL, INC.

# \*\*\* SCI PRODUCT CUT SHEET \*\*\*

|         |                                      |
|---------|--------------------------------------|
| REV-001 | APPROVED FOR PRODUCTION 1/18/25      |
| REV-002 | SCI BUSINESS ADDRESS CHANGE 12/08/25 |



**TOP VIEW**



**SECTION A-A**

**NOTES:**

1. FOR CLARITY THIS DRAWING IS NOT TO SCALE.
2. CONTACT THE MANUFACTURER FOR RECOMMENDED LAYOUTS, SPACING AND ADDITIONAL DETAILS.
3. INSTALLATION MUST BE COMPLETED WITH THE MANUFACTURERS WRITTEN SPECIFICATIONS AND INSTALLATION INSTRUCTIONS.
4. THESE DRAWINGS ARE SUBJECT TO CHANGE WITHOUT NOTICE.



220 EXCHANGE DRIVE, UNIT B, CRYSTAL LAKE, IL 60014  
 PHONE: 800.815.7652 WEBSITE: WWW.SOLARCONNECTIONS.COM  
 FAX: 815.455.4367 E-MAIL: INFO@SOLARCONNECTIONS.COM

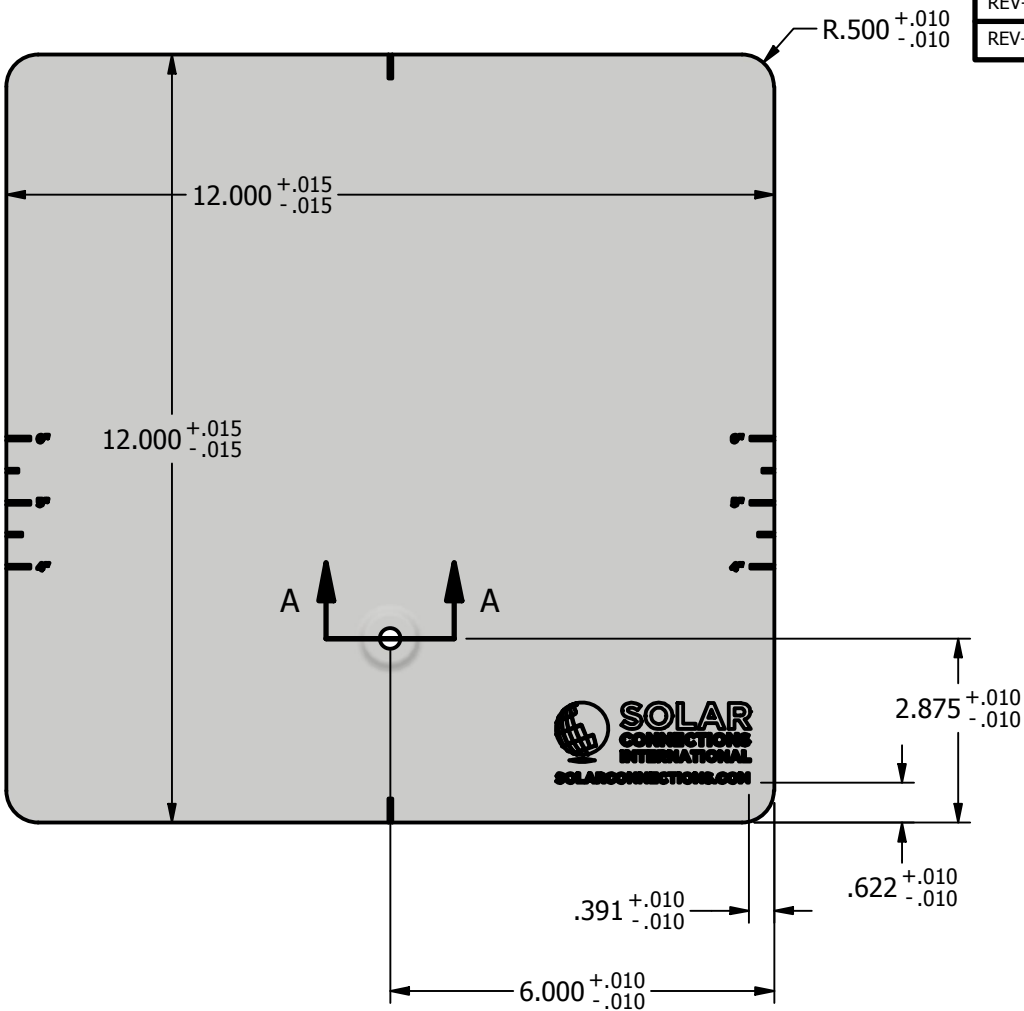
## PWRPLT-10x12-ELV

|           |               |
|-----------|---------------|
| DRAWN BY: | rhoeffleur    |
| DATE:     | 12/08/25      |
| SCALE:    | N.T.S.        |
| MATERIAL: | .040 ALUMINUM |

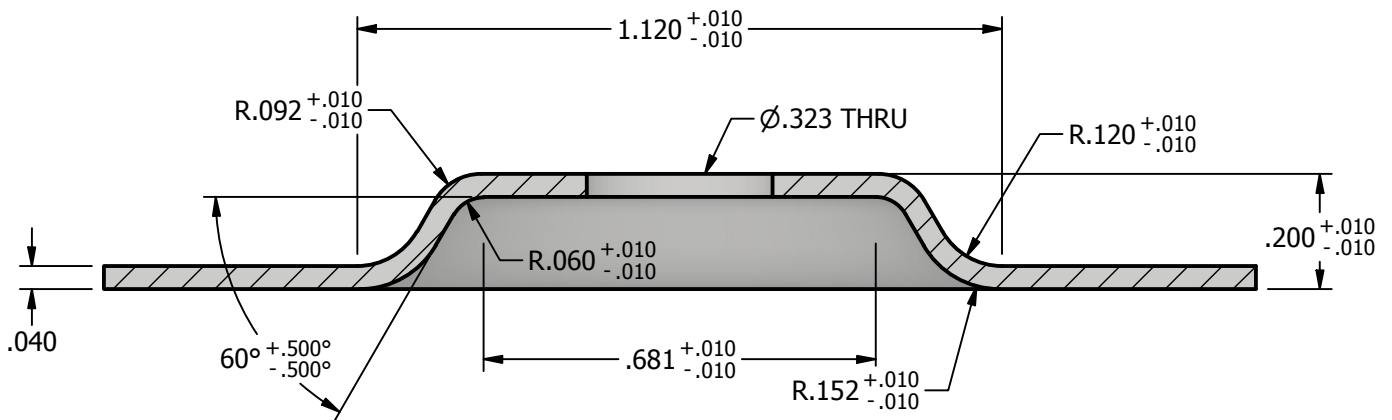
THE INFORMATION HEREIN IS CONFIDENTIAL AND PROPRIETARY AND IS NOT TO BE DISCLOSED OR DELIVERED TO THIRD PARTIES WITHOUT THE PRIOR WRITTEN CONSENT OF SOLAR CONNECTIONS INTERNATIONAL, INC.

# \*\*\* SCI PRODUCT CUT SHEET \*\*\*

|         |                                      |
|---------|--------------------------------------|
| REV-001 | APPROVED FOR PRODUCTION 1/18/25      |
| REV-002 | SCI BUSINESS ADDRESS CHANGE 12/08/25 |



**TOP VIEW**



**SECTION A-A**

**NOTES:**

1. FOR CLARITY THIS DRAWING IS NOT TO SCALE.
2. CONTACT THE MANUFACTURER FOR RECOMMENDED LAYOUTS, SPACING AND ADDITIONAL DETAILS.
3. INSTALLATION MUST BE COMPLETED WITH THE MANUFACTURERS WRITTEN SPECIFICATIONS AND INSTALLATION INSTRUCTIONS.
4. THESE DRAWINGS ARE SUBJECT TO CHANGE WITHOUT NOTICE.



YOUR PREMIER SOLAR ATTACHMENT SOLUTION

220 EXCHANGE DRIVE, UNIT B, CRYSTAL LAKE, IL 60014  
 PHONE: 800.815.7652 WEBSITE: WWW.SOLARCONNECTIONS.COM  
 FAX: 815.455.4367 E-MAIL: INFO@SOLARCONNECTIONS.COM

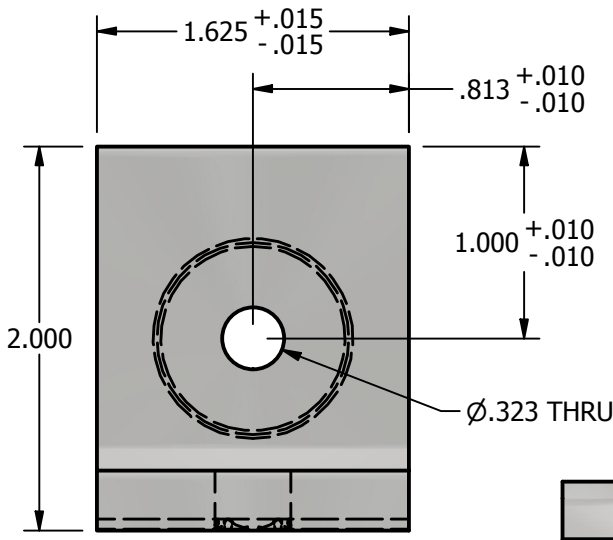
## PWRPLT-12x12-ELV

|           |               |
|-----------|---------------|
| DRAWN BY: | rhoeffleur    |
| DATE:     | 12/08/25      |
| SCALE:    | N.T.S.        |
| MATERIAL: | .040 ALUMINUM |

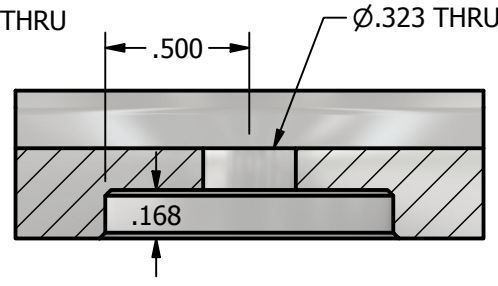
THE INFORMATION HEREIN IS CONFIDENTIAL AND PROPRIETARY AND IS NOT TO BE DISCLOSED OR DELIVERED TO THIRD PARTIES WITHOUT THE PRIOR WRITTEN CONSENT OF SOLAR CONNECTIONS INTERNATIONAL, INC.

# \*\*\* SCI PRODUCT CUT SHEET \*\*\*

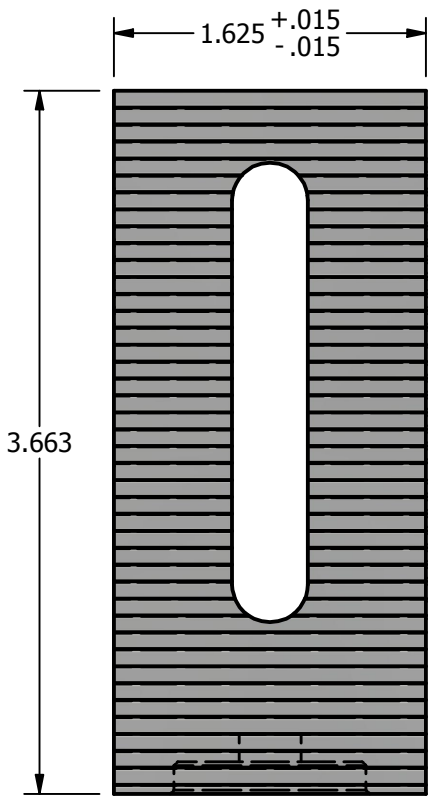
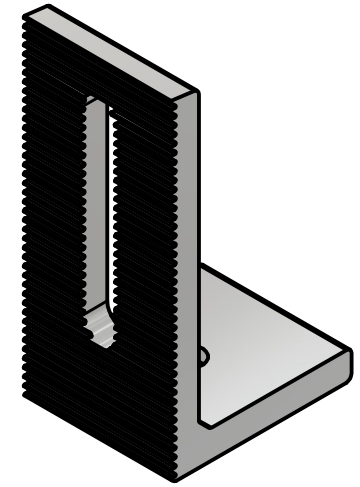
|         |                                      |
|---------|--------------------------------------|
| REV-001 | APPROVED FOR PRODUCTION 1/18/25      |
| REV-002 | SCI BUSINESS ADDRESS CHANGE 12/08/25 |



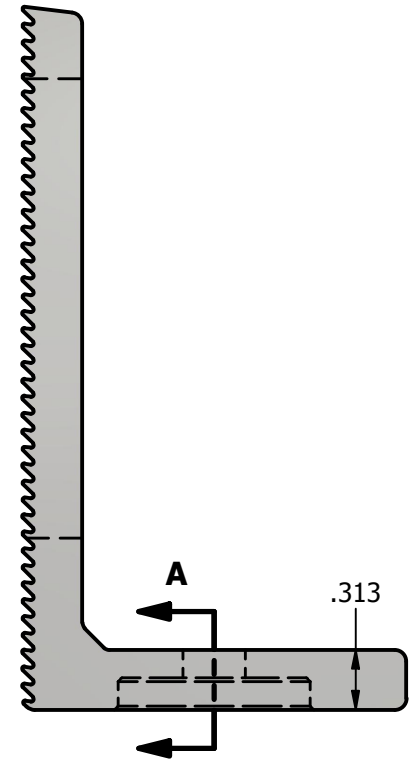
**TOP VIEW**



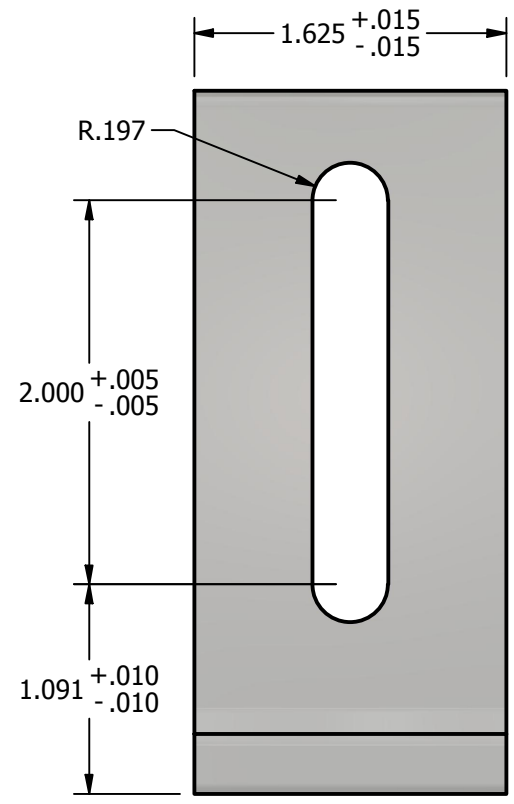
**SECTION A-A**



**FRONT VIEW**



**RIGHT VIEW**



**BACK VIEW**

**NOTES:**

1. FOR CLARITY THIS DRAWING IS NOT TO SCALE.
2. CONTACT THE MANUFACTURER FOR RECOMMENDED LAYOUTS, SPACING AND ADDITIONAL DETAILS.
3. INSTALLATION MUST BE COMPLETED WITH THE MANUFACTURERS WRITTEN SPECIFICATIONS AND INSTALLATION INSTRUCTIONS.
4. THESE DRAWINGS ARE SUBJECT TO CHANGE WITHOUT NOTICE.



220 EXCHANGE DRIVE, UNIT B, CRYSTAL LAKE, IL 60014  
 PHONE: 800.815.7652 WEBSITE: WWW.SOLARCONNECTIONS.COM  
 FAX: 815.455.4367 E-MAIL: INFO@SOLARCONNECTIONS.COM

**LFOOT-ELV | DIE: 10144**

|           |                  |
|-----------|------------------|
| DRAWN BY: | rhoeffleur       |
| DATE:     | 12/08/25         |
| SCALE:    | N.T.S.           |
| MATERIAL: | 6061-T6 Aluminum |

THE INFORMATION HEREIN IS CONFIDENTIAL AND PROPRIETARY AND IS NOT TO BE DISCLOSED OR DELIVERED TO THIRD PARTIES WITHOUT THE PRIOR WRITTEN CONSENT OF SOLAR CONNECTIONS INTERNATIONAL, INC.